



Product Catalogue

Drive Chains 2020



DONGHUA





Content

Introduction Donghua Chain Group	4
Quality performance and partners	5
Headquarters and production plants	6
Total range in stock	7
Competence centre	8
The Donghua Drive chain program	10
Standard Range	16
Short pitch precision roller chains (B series)	18
Short pitch precision roller chains (A series)	24
Short pitch precision roller chains (B series) With straight side plates	30
Short pitch precision roller chains (A series) With straight side plates	36
Premium Range	42
Short pitch precision roller chains (B series) New Donghua X ³ series	44
Short pitch precision roller chains (A series) New Donghua X ³ series	50
Solution Range	56
Short pitch precision roller chains EXL (B series)	60
Short pitch precision roller chains EXL (A series)	66
Short pitch precision roller chains (B series) CP Hard Chromized Pins	72
Short pitch precision roller chains (A series) CP Hard Chromized Pins	78
Short pitch precision roller chains (B series) SLR (Self Lubricating Roller Chain).....	84
Short pitch precision roller chains (A series) SLR (Self Lubricating Roller Chain)	90
Short pitch precision roller chains (B series) Nickel Plated.....	98
Short pitch precision roller chains (A series) Nickel Plated.....	104
Short pitch precision roller chains (B series) Zinc Plated	112
Short pitch precision roller chains (A series) Zinc Plated	118
Short pitch precision roller chains (B series) ZT Plated (ZinTek)	124
Short pitch precision roller chains (A series) ZT Plated (ZinTek).....	130
Short pitch precision roller chains (B series) ZT+ Plated (ZinTek including Chemical Nickel Plated Pins).....	136
Short pitch precision roller chains (A series) ZT+ Plated (ZinTek including Chemical Nickel Plated Pins).....	142
Short pitch precision roller chains (B series) With straight side plates and Nickel Plated.....	150
Short pitch precision roller chains (B series) With straight side plates and Zinc Plated.....	156
Short pitch precision roller chains (B series) With straight side plate ZT+ coated (ZinTek including chemical nickel plated pins)	162
Short pitch precision roller chains (B series) With straight side plate and hard chromized pins.....	168
Short pitch precision roller chains (B series) SLR (Self Lubricating Roller Chain) With straight side plates.....	174

Short pitch precision roller chains (B series) O-ring	182
Short pitch precision roller chains (A series) O-ring	184
Short pitch precision roller chains (B series) Stainless steel AISI304 (1.4301)	186
Short pitch precision roller chains (A series) Stainless steel AISI304 (1.4301).....	192
Short pitch precision roller chains (B series) Stainless steel AISI304 (1.4301) SS Plus with hard chromized pins.....	198
Short pitch precision roller chains (A series) Stainless steel AISI304 (1.4301) SS Plus with hard chromized pins.....	204
Short pitch precision roller chains (B series) Stainless steel AISI304 (1.4301) with straight side plates	210
Short pitch precision roller chains (A series) Stainless steel AISI304 (1.4301) with straight side plates	218
Short pitch precision roller chains (B series) Stainless steel AISI304 (1.4301) SLR (Dry-Tec)	224
Short pitch precision roller chains (A series) Stainless steel AISI304(1.4301) SLR (Dry-Tec).....	230
Short pitch precision roller chains (B series) Stainless steel AISI316 (1.4401)	236
Ansi Heavy Duty Program	240
Short pitch Non-standard heavy duty series roller chains	242
Short pitch heavy duty precision roller chains (A series)	244
Short pitch heavy duty precision roller chains (A series) heavy duty series with hard chromized pins	250
Short pitch heavy duty precision roller chains (A series) heavy duty HV series	256
Short pitch heavy duty precision roller chains (A series) heavy duty HV series with hard chromized pins.....	262
Short pitch heavy duty precision roller chains (A series) heavy duty SP series high strength	268
Short pitch heavy duty precision roller chains (A series) heavy duty SP series high strength with hard chromized pins..	274
Short pitch heavy duty precision roller chains (A series) heavy duty HSP series high strength.....	282
Short pitch heavy duty precision roller chains (A series) heavy duty HSP series high strength hard chromized pins	288
Short pitch heavy duty precision roller chains (A series) heavy duty UHSP series ultra-high strength.....	294
Works norm and other roller chains, Special and works norm bush and roller chains	296
Calculation Sheet for Donghua chain drives	301
Donghua chain tools.....	302
Donghua chain lubricants.....	310
Donghua sales offices	311

Donghua

The Hangzhou Donghua Chain Group is one of the biggest chain producers in the world and started its European activity in 2009. Since the early nineties, Donghua has been producing and branding complete chains for well-known European chain manufacturers. To supply its European customers directly, Donghua decided to develop local facilities in the European market. For this reason, warehouses with substantial stocks in Alkmaar (The Netherlands), Leverkusen (Germany) and Wednesfield (UK) have been established.

Donghua International BV, Donghua Ltd. and Donghua Industries Europe GmbH are all full subsidiaries of the Donghua Chain Group Co., Ltd. in China.



FRANS MORSKATE
is CEO of Donghua International BV.

ERIK DIEPENHORST
is CEO of Donghua International BV.

XUAN BI HUA
chairman and owner of Donghua Chain Group Co., Ltd. Hangzhou.

CHRISTIAN KOLETZKI
is managing director of Donghua Industries Europe GmbH.

The Donghua Chain Group Co, Ltd. is located in Hangzhou, an industrial town near to the Chinese East Coast, 300 kilometres from Shanghai. Donghua employs more than 3000 employees; working together they produce more than 150,000 tons of finished chains per year. When considering the whole product range and production, Donghua is probably one of the biggest chain manufacturers worldwide.

Quality Performance

Chains from Donghua are ISO9001-2000 and API certified. All leaf chains are made according ANSI BL series ISO DIN8152, LL series DIN8152 ISO 4347, AL series ANSI B29.8 – 1958 AL standard and works standard. Donghua has its own cold rolling mills for the plate material in its production to ensure exact plate thickness in the finest tolerance classes. All chains are produced with their own unique production code for tracking and traceability. Shot peening and calibration of the pin holes are standard in our production process.

Customers choose us because of the unique price/performance ratio of our products. Our European team has more than 35 years of experience in design, development and production of chain solutions. Our expertise fits the needs of both OEM and replacement market MRO partners.

Donghua Chain Group:

- Xinghua
- Linping
- Hangzhou

● Donghua Transmission Co., Ltd.

● Donghua Subsidiaries

● Donghua Partners

Headquarter and production plants



Liping Headquarters

Liping Headquarters

Head office Donghua group

Production of:

- Transmission chains
- Conveyor chains



Liping Branch North

Production of:

- Automotive chains
- Rotary chains
- Oil field chains
- Agricultural chains



Liping Branch South

Production of:

- Leaf chains
- Escalator chains
- Light transport chains



Xinghua Donghua Gear Co., Ltd.

Production of:

- Gears
- Sprockets

Total range in stock

The key to our successes in Europe is the availability of our programme in our logistic centres and partner warehouses throughout Europe. Almost all available types and specials are constantly available from our stocks. All Standard leaf chains are delivered on reels. Up to 5/8" pitch we have 50 meter reels and up to 1 1/2" pitch we have 30 meter reels. For heavy and special leaf chains we use special packaging.



Competence centre

Donghua International BV is specialized in engineering, construction, assembly of specials, cutting and full automatic cutting, refining of intermediate products, supplying chain systems, warehousing, logistics and technical support. Following our Chinese heritage we are always very flexible and available to listen to our customer's needs. Top engineers and product specialist are available and support daily, original equipment manufacturers and our partners in the replacement market.

To meet all specifications regarding fatigue resistance, wear resistance and breaking load, we have a complete and fully equipped laboratory available to us. Breaking load testing, hardness testing, material spectrum analyses, 3-D optical measuring equipment and of course all kinds of classical measuring equipment are used to make our certificates and constantly prove our quality performance.



Micro hardness tester



Donghua International, The Netherlands
Competence centre industrial and agricultural chains



Grinder polisher machine



3D sprocket measuring

The Donghua drive chain program

Standard

range

All Donghua British Standard (BS) and Donghua American Standard (ANSI) fulfil and perform according to the International ISO606 DIN8187 and DIN8188 standard. These drive roller chains are designed and developed to meet the International requirements by Original Equipment Manufacturers and fulfil the expectations in the Maintenance Repair and Overhaul companies. The unique Quality Price performance, the wear resistance, fatigue resistance and average breaking load which is +25% above the norm, offer our clients a durable and reliable transmission component.

This Donghua Standard Range is used in a very wide range of applications in different machines and industries. Besides the pure transmission function, the use of standard roller chains is changing more and more to the materials handling equipment for conveying applications. Therefore our seamless rollers and the optimum crushing strength of our rollers offer a long-lasting and secure performance in all kinds of conveying applications. Another application is for linear motion. Our standard roller chains can be used as a gear-rack in different linear applications. Donghua Standard and Special roller chains are also used for chain couplings with and without housings. Despite the fact that all our Standard roller chains are pre-lubricated, maintenance lubrication is recommended. There is however one exception, because all our Donghua Stainless Steel roller chains are not pre-lubricated. Please let us know which kind of lubrication you require. We can offer food grade, high temperature or low temperature lubrication.



The Donghua drive chain program

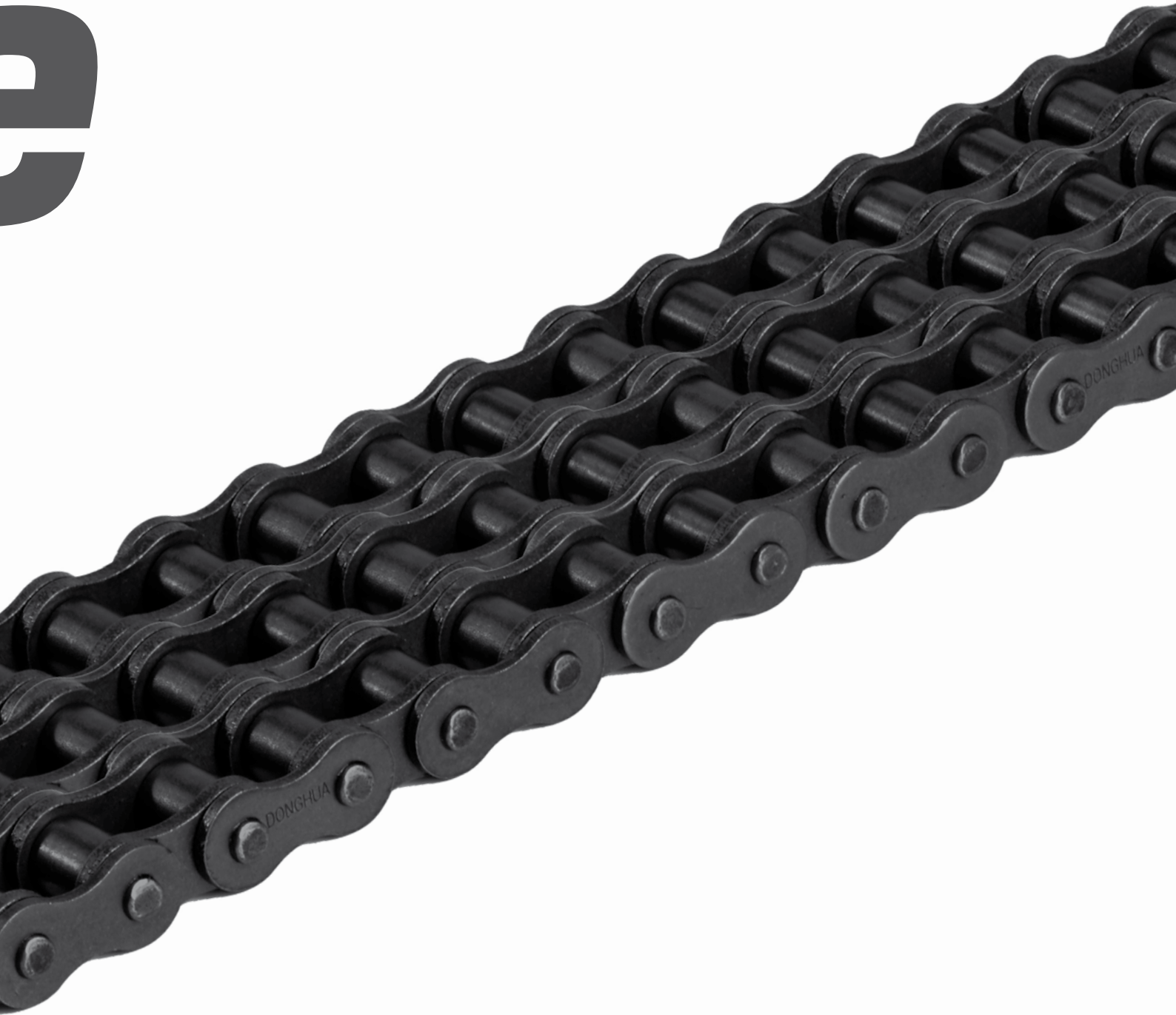
Premium

range

This Donghua X3 Roller Chain Range is the state of the art of our chain manufacturing industry. Designed and developed according the latest available technology, it combines extreme precision, fatigue resistance and minimum 3 times longer life time than all other brands with their standards to achieve best available wear resistance.

Our engineers succeeded in reducing the coefficient of friction between the roller chain pin and bush significantly. In combination with new hardening technology and high sophisticated pre-lubrication, Donghua X³ roller chains are capable of offering outstanding performance in the most tough and harsh environments.

e



The Donghua drive chain program

Solution

range

Donghua roller chains belonging to the Solution Range offer multiple solutions for different and difficult environments. Different materials, different material treatments and different layer technologies offer best possible quality/price ratio in all kind of applications.

Donghua EXL roller chains are manufactured with the latest and new wide waist design plates, offer easy break virtues, higher precision, higher fatigue resistance and better wear resistance than our Donghua Standard Range. For the food industry we offer standard stainless steel AISI304, stainless steel 316, stainless steel including hard chromized pins and our new developed self-lubricating stainless steel Dry-Tec roller chains. All our Donghua roller chains can be delivered from stock with different anti-corrosion layers or coatings such as zinc plating, nickel plating, ZinTec coating and Geomet coating with or without special chemical nickel plated pins.

This Donghua Solution Range is available from stock and intended to offer a tailored solution for each single demanding drive or conveying application for roller chains. For our Donghua Maintenance Free Range we offer different technologies enabling OEM and End-User to perform without any additional maintenance intervals.

All the Donghua Solution Range products are delivered and available from stock.

SLR	ZP	ATT	H
SS	NP	OR	HV/SP
SS+	ZT	1.3	HSP
EXL	ZT+	CP	UHSP



Standard

range

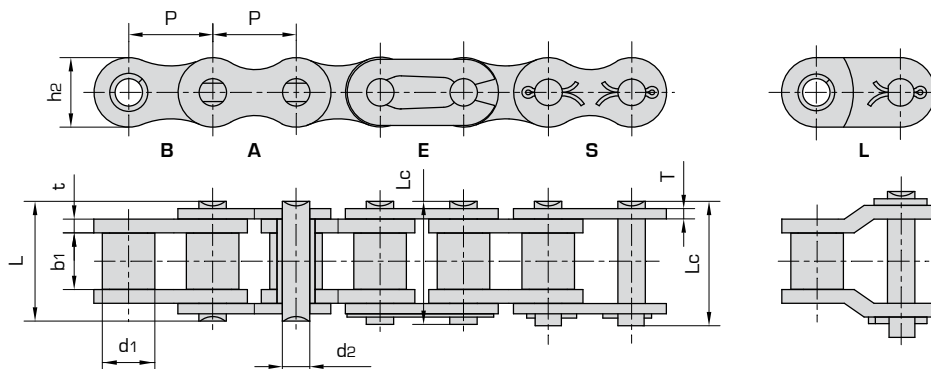


Short pitch precision roller chains (B series)

Simplex roller chains

Part nr.	DIN/ISO 606 Chain no.	Pitch	Roller diameter	Width between inner plates	Pin diameter	Pin length		Inner plate depth	Plate thickness
		P	d1 max	b1 min	d2 max	L max	Lc max	h2 max	T max
		mm	mm	mm	mm	mm	mm	mm	mm
10004B-1	04B-1	6,000	4,00	2,80	1,85	6,80	7,8	5,00	0,60
10005B-1	05B-1	8,000	5,00	3,00	2,31	8,20	8,9	7,10	0,80
10006B-1	*06B-1	9,525	6,35	5,72	3,28	13,15	14,1	8,20	1,30
10008B-1	08B-1	12,700	8,51	7,75	4,45	16,70	18,2	11,80	1,60
10010B-1	10B-1	15,875	10,16	9,65	5,08	19,50	20,9	14,70	1,70
10012B-1	12B-1	19,050	12,07	11,68	5,72	22,50	24,2	16,00	1,85
10016B-1	16B-1	25,400	15,88	17,02	8,28	36,10	37,4	21,00	4,15/3,1
10020B-1	20B-1	31,750	19,05	19,56	10,19	41,30	45,0	26,40	4,50/3,5
10024B-1	24B-1	38,100	25,40	25,40	14,63	53,40	57,8	33,20	6,00/4,8
10028B-1	28B-1	44,450	27,94	30,99	15,90	65,10	69,5	36,70	7,50/6,0
10032B-1	32B-1	50,800	29,21	30,99	17,81	66,00	71,0	42,00	7,00/6,0
10040B-1	40B-1	63,500	39,37	38,10	22,89	82,20	89,2	52,96	8,50/8,0
10048B-1	48B-1	76,200	48,26	45,72	29,24	99,10	107,0	63,80	12,00/10,0
10056B-1	56B-1	88,900	53,98	53,34	34,32	114,6	123,0	77,80	13,50/12,0
10064B-1	64B-1	101,600	63,50	60,96	39,40	130,0	138,5	90,17	15,00/13,0
10072B-1	72B-1	114,300	72,39	68,58	44,48	147,4	156,4	103,60	17,00/15,0

* Straight side plates



Ultimate tensile strength	Average tensile strength	Weight per meter	Available chain parts							
			Q min	Q0	q	E	S	L	C	A
kN/lbf	kN	kg/m								
3,0/682	3,2	0,11	X		X	X	X	X		
5,0/1136	5,9	0,20	X		X	X	X	X		
9,0/2045	10,4	0,41	X		X	X	X	X		
18,0/4091	19,4	0,69	X	X	X	X	X	X		
22,4/5091	27,5	0,93	X	X	X	X	X	X		
29,0/6591	32,2	1,15	X	X	X	X	X	X		
60,0/13636	77,1	2,71	X	X	X	X	X	X		
95,0/21591	112,8	3,70	X	X	X			X	X	
160,0/36364	178,0	7,10		X	X			X	X	
200,0/45455	236,4	8,50		X	X			X	X	
250,0/56818	277,5	10,25		X	X			X	X	
355,0/80682	394,0	16,35		X	X			X	X	
560,0/127272	621,6	25,00		X	X			X	X	
850,0/193180	940,0	35,78		X	X			X	X	
1120,0/254544	1240,0	46,00		X	X			X	X	
1400,0/318180	1550,0	60,80		X	X			X	X	



Standard range



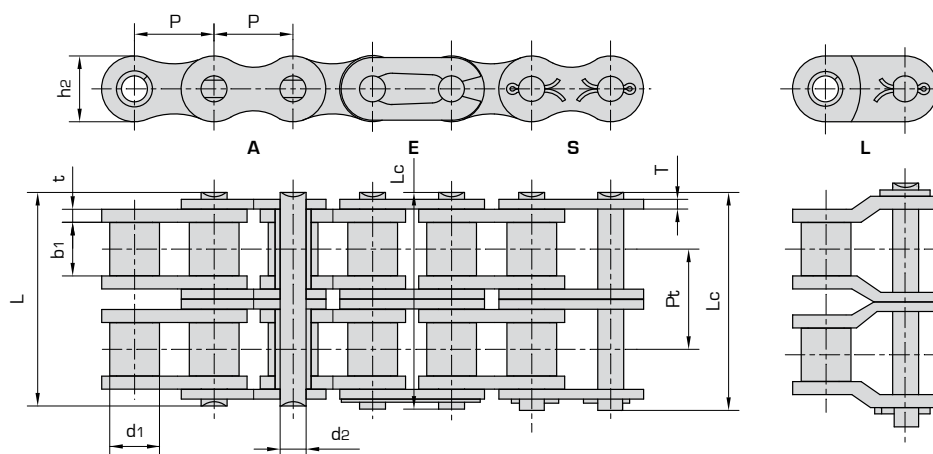
All Donghua roller chains are: Pre-loaded, Fatigue resistant, Wear resistant and Pre-lubricated. Donghua simplex, duplex and triplex roller chains are manufactured according to ISO 606 DIN8187, standard pre-loaded, pre-lubricated, do have seamless rollers and are marked with production batch code number for complete traceability. All Donghua roller chains are sealed in plastic bags and packed in cardboard boxes with clear ISO 606 DIN descriptions and safety instructions. Standard packaging size is 5 meter box, reels are available on request. Cut to length service is available on request. Several test certificates like breaking load, length tolerance and material analyses are possible and available on request. Rollers chains which are needed for 'run as pairs' applications can be matched as pairs on request. DIN, 1/2DIN and 1/3DIN length tolerance are possible, please ask us for a quotation. For high temperature, low temperature, food application or special environments different kind of special lubricants are available. Please ask our sales team for any special needs. For drive chain calculation and right dimension check, please contact our engineering department, also see drive chain calculation data sheet on page 301. By filling this data sheet and sending this to our engineering department you will receive a detailed drive chain calculation including life time expectation. Sprockets are available for all roller chains, with pilot bore, fixed bore, keyway, setscrew or bearing bore with grooves. Standard toothing, hardened toothing or special toothing are possible with pilot bore, fixed bore or taper bush. Chain tools, tensioners and chain lubricants please see page 302-310.

Short pitch precision roller chains (B series)

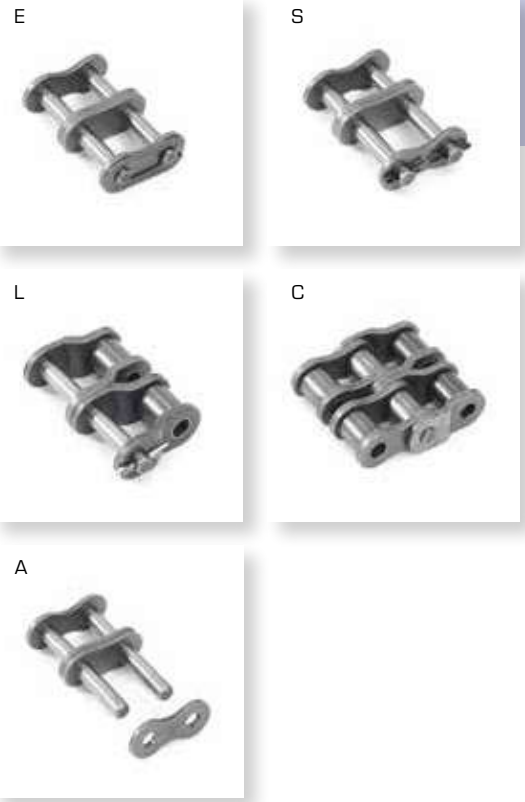
Duplex roller chains

Part nr.	DIN/ISO 606 Chain no.	Pitch	Roller diameter	Width between inner plates	Pin diameter	Pin length		Inner plate depth	Plate thickness	Transverse pitch
		P	d1 max	b1 min	d2 max	L max	Lc max	h2 max	T max	Pt
		mm	mm	mm	mm	mm	mm	mm	mm	mm
10004B-2	04B-2	6,000	4,00	2,80	1,85	13,2	14,2	5,00	0,60	5,50
10005B-2	05B-2	8,000	5,00	3,00	2,31	13,9	14,5	7,10	0,80	5,64
10006B-2	*06B-2	9,525	6,35	5,72	3,28	23,4	24,4	8,20	1,30	10,24
10008B-2	08B-2	12,700	8,51	7,75	4,45	31,0	32,2	11,80	1,60	13,92
10010B-2	10B-2	15,875	10,16	9,65	5,08	36,1	37,5	14,70	1,70	16,59
10012B-2	12B-2	19,050	12,07	11,68	5,72	42,0	43,6	16,00	1,85	19,46
10016B-2	16B-2	25,400	15,88	17,02	8,28	68,0	69,3	21,00	4,15/3,1	31,88
10020B-2	20B-2	31,750	19,05	19,56	10,19	77,8	81,5	26,40	4,50/3,5	36,45
10024B-2	24B-2	38,100	25,40	25,40	14,63	101,7	106,2	33,20	6,00/4,8	48,36
10028B-2	28B-2	44,450	27,94	30,99	15,90	124,6	129,1	36,70	7,50/6,0	59,56
10032B-2	32B-2	50,800	29,21	30,99	17,81	124,6	129,6	42,00	7,00/6,0	58,55
10040B-2	40B-2	63,500	39,37	38,10	22,89	154,5	161,5	52,96	8,50/8,0	72,29
10048B-2	48B-2	76,200	48,26	45,72	29,24	190,4	198,2	63,80	12,00/10,0	91,21
10056B-2	56B-2	88,900	53,98	53,34	34,32	221,2	229,6	77,80	13,50/12,0	106,60
10064B-2	64B-2	101,600	63,50	60,96	39,40	249,9	258,4	90,17	15,00/13,0	119,89
10072B-2	72B-2	114,300	72,39	68,58	44,48	283,7	292,7	103,60	17,00/15,0	136,27

* Straight side plates



Ultimate tensile strength	Average tensile strength	Weight per meter	Available chain parts				
Q min	Q0	q	E	S	L	C	A
kN/lbf	kN	kg/m					
5,0/1124	6,10	0,23	X		X	X	X
7,8/1773	10,2	0,33	X		X	X	X
16,9/3841	18,7	0,77	X		X	X	X
32,0/7273	38,7	1,34	X	X	X	X	X
44,5/10114	56,2	1,84	X	X	X	X	X
57,8/13136	66,1	2,31	X	X	X	X	X
106,0/24091	152,0	5,42	X	X	X	X	X
170,0/38636	229	7,20		X	X		X
280,0/63636	319,2	13,40		X	X		X
360,0/81818	406,8	16,60		X	X		X
450,0/102273	508,5	21,00		X	X		X
630,0/143182	711,9	32,00		X	X		X
1000,0/227272	1130,0	50,00		X	X		X
1600,0/363635	1760,0	71,48		X	X		X
2000,0/454544	2200,0	91,00		X	X		X
2500,0/568180	2750,0	120,40		X	X		X



Standard range



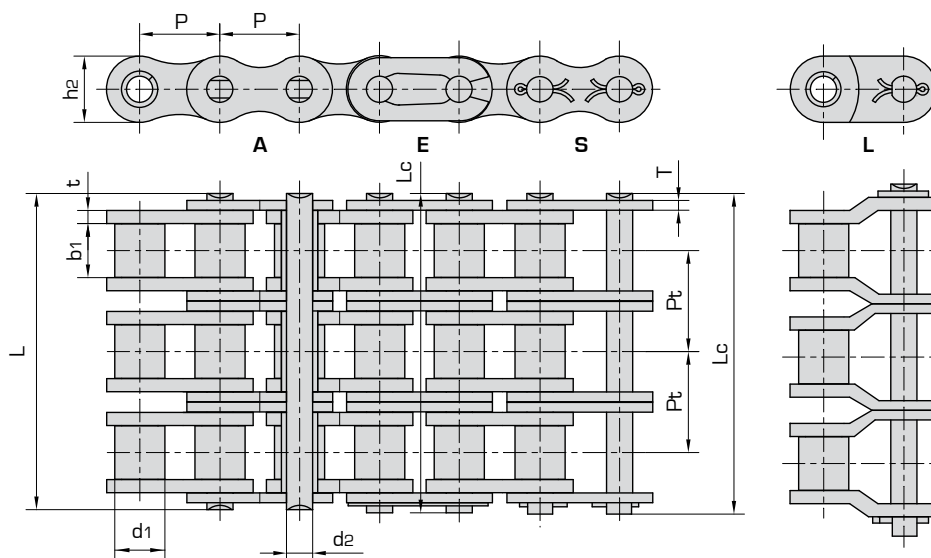
All Donghua roller chains are: Pre-loaded, Fatigue resistant, Wear resistant and Pre-lubricated. Donghua simplex, duplex and triplex roller chains are manufactured according to ISO 606 DIN8187, standard pre-loaded, pre-lubricated, do have seamless rollers and are marked with production batch code number for complete traceability. All Donghua roller chains are sealed in plastic bags and packed in cardboard boxes with clear ISO 606 DIN descriptions and safety instructions. Standard packaging size is 5 meter box, reels are available on request. Cut to length service is available on request. Several test certificates like breaking load, length tolerance and material analyses are possible and available on request. Rollers chains which are needed for 'run as pairs' applications can be matched as pairs on request. DIN, 1/2DIN and 1/3DIN length tolerance are possible, please ask us for a quotation. For high temperature, low temperature, food application or special environments different kind of special lubricants are available. Please ask our sales team for any special needs. For drive chain calculation and right dimension check, please contact our engineering department, also see drive chain calculation data sheet on page 301. By filling this data sheet and sending this to our engineering department you will receive a detailed drive chain calculation including life time expectation. Sprockets are available for all roller chains, with pilot bore, fixed bore, keyway, setscrew or bearing bore with grooves. Standard toothing, hardened toothing or special toothing are possible with pilot bore, fixed bore or taper bush. Chain tools, tensioners and chain lubricants please see page 302-310.

Short pitch precision roller chains (B series)

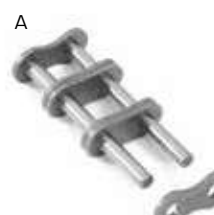
Triplex roller chains

Part nr.	DIN/ISO 606 Chain no.	Pitch	Roller diameter	Width between inner plates	Pin diameter	Pin length	Inner plate depth	Plate thickness	Transverse pitch	
		P	d1 max	b1 min	d2 max	L max	Lc max	h2 max	T max	Pt
		mm	mm	mm	mm	mm	mm	mm	mm	mm
10005B-3	05B-3	8,000	5,00	3,00	2,31	19,5	20,2	7,10	0,80	5,64
10006B-3	*06B-3	9,525	6,35	5,72	3,28	33,5	34,6	8,20	1,30	10,24
10008B-3	08B-3	12,700	8,51	7,75	4,45	45,1	46,1	11,80	1,60	13,92
10010B-3	10B-3	15,875	10,16	9,65	5,08	52,7	54,1	14,70	1,70	16,59
10012B-3	12B-3	19,050	12,07	11,68	5,72	61,5	63,1	16,00	1,85	19,46
10016B-3	16B-3	25,400	15,88	17,02	8,28	99,8	101,2	21,00	4,15/3,1	31,88
10020B-3	20B-3	31,750	19,05	19,56	10,19	114,2	117,9	26,40	4,50/3,5	36,45
10024B-3	24B-3	38,100	25,40	25,40	14,63	150,1	154,6	33,20	6,00/4,8	48,36
10028B-3	28B-3	44,450	27,94	30,99	15,90	184,2	188,7	36,70	7,50/6,0	59,56
10032B-3	32B-3	50,800	29,21	30,99	17,81	183,2	188,2	42,00	7,00/6,0	58,55
10040B-3	40B-3	63,500	39,37	38,10	22,89	226,8	233,8	52,96	8,50/8,0	72,29
10048B-3	48B-3	76,200	48,26	45,72	29,24	281,6	289,4	63,80	12,00/10,0	91,21
10056B-3	56B-3	88,900	53,98	53,34	34,32	327,8	336,2	77,80	13,50/12,0	106,6
10064B-3	64B-3	101,60	63,50	60,96	39,40	369,8	378,3	90,17	15,00/13,0	119,89
10072B-3	72B-3	114,30	72,39	68,58	44,48	420,0	429,0	103,60	17,00/15,0	136,27

* Straight side plates



Ultimate tensile strength	Average tensile strength	Weight per meter	Available chain parts				
Q min	Q0	q	E	S	L	C	A
kN/lbf	kN	kg/m					
11,1/2523	13,8	0,48	X		X	X	X
24,9/5659	30,1	1,16	X		X	X	X
47,5/10795	57,8	2,03	X	X	X	X	X
66,7/15159	84,5	2,77	X	X	X	X	X
86,7/19705	101,8	3,46	X	X	X	X	X
160,0/36364	227,1	8,13	X	X	X	X	X
250,0/56818	334,3	10,82		X	X		X
425,0/96591	493,0	20,10		X	X		X
530,0/120454	609,5	24,92		X	X		X
670,0/152273	770,5	31,56		X	X		X
950,0/215909	1092,5	48,10		X	X		X
1500,0/340909	1710,0	75,00		X	X		X
2240,0/545450	2464,0	107,18		X	X		X
3000,0/681820	3300,0	136,00		X	X		X
3750,0/852270	4125,0	180,00		X	X		X



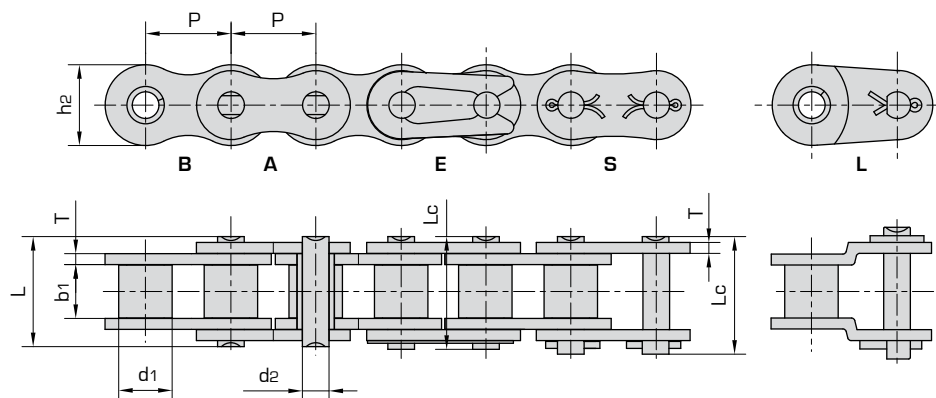
All Donghua roller chains are: Pre-loaded, Fatigue resistant, Wear resistant and Pre-lubricated. Donghua simplex, duplex and triplex roller chains are manufactured according to ISO 606 DIN8187, standard pre-loaded, pre-lubricated, do have seamless rollers and are marked with production batch code number for complete traceability. All Donghua roller chains are sealed in plastic bags and packed in cardboard boxes with clear ISO 606 DIN descriptions and safety instructions. Standard packaging size is 5 meter box, reels are available on request. Cut to length service is available on request. Several test certificates like breaking load, length tolerance and material analyses are possible and available on request. Rollers chains which are needed for 'run as pairs' applications can be matched as pairs on request. DIN, 1/2DIN and 1/3DIN length tolerance are possible, please ask us for a quotation. For high temperature, low temperature, food application or special environments different kind of special lubricants are available. Please ask our sales team for any special needs. For drive chain calculation and right dimension check, please contact our engineering department, also see drive chain calculation data sheet on page 301. By filling this data sheet and sending this to our engineering department you will receive a detailed drive chain calculation including life time expectation. Sprockets are available for all roller chains, with pilot bore, fixed bore, keyway, setscrew or bearing bore with grooves. Standard toothing, hardened toothing or special toothing are possible with pilot bore, fixed bore or taper bush. Chain tools, tensioners and chain lubricants please see page 302-310.

Short pitch precision roller chains (A series)

Simplex roller chains & bush chains

Part nr.	DIN/ISO 606 Chain no.	ANSI Chain no.	Pitch	Roller diameter	Width between inner plates	Pin diameter	Pin length		Inner plate depth	Plate thickness
							L max	Lc max		
							P	d1 max		
		mm		mm		mm		mm		
10015-1	*03C	*15	4,763	2,48	2,38	1,62	6,10	6,90	4,30	0,60
10025-1	*04C-1	*25	6,350	3,30	3,18	2,31	7,90	8,40	6,00	0,80
10035-1	*06C-1	*35	9,525	5,08	4,77	3,58	12,40	13,17	9,00	1,30
10041-1	085-1	41	12,700	7,77	6,25	3,58	13,75	15,00	9,91	1,30
10040-1	08A-1	40	12,700	7,95	7,85	3,96	16,60	17,80	12,00	1,50
10050-1	10A-1	50	15,875	10,16	9,40	5,08	20,70	22,20	15,09	2,03
10060-1	12A-1	60	19,050	11,91	12,57	5,94	25,90	27,70	18,00	2,42
10080-1	16A-1	80	25,400	15,88	15,75	7,92	32,70	35,00	24,00	3,25
100100-1	20A-1	100	31,750	19,05	18,90	9,53	40,40	44,70	30,00	4,00
100120-1	24A-1	120	38,100	22,23	25,22	11,10	50,30	54,30	35,70	4,80
100140-1	28A-1	140	44,450	25,40	25,22	12,70	54,40	59,00	41,00	5,60
100160-1	32A-1	160	50,800	28,58	31,55	14,27	64,80	69,60	47,80	6,40
100180-1	36A-1	180	57,150	35,71	35,48	17,46	72,80	78,60	53,60	7,20
100200-1	40A-1	200	63,500	39,68	37,85	19,85	80,30	87,20	60,00	8,00
100240-1	48A-1	240	76,200	47,63	47,35	23,81	95,50	103,00	72,39	9,50

* Bush chain: d1 in the table indicates the external diameter of the bush.



Ultimate tensile strength	Average tensile strength	Weight per meter	Available chain parts					
Q min	Q0	q	E	S	L	C	A	B
kN/lbf	kN	kg/m						
1,80/409	2,0	0,08	X			X	X	X
3,50/795	5,0	0,15	X			X	X	X
7,90/1795	11,3	0,33	X		X	X	X	X
6,67/1516	12,6	0,41	X		X	X	X	X
14,10/3205	18,6	0,62	X		X	X	X	X
22,20/5045	31,3	1,02	X		X	X	X	X
31,80/7227	43,2	1,50	X		X	X	X	X
56,70/12886	74,3	2,60	X		X	X	X	X
88,50/20114	107,6	3,91		X	X		X	X
127,00/28864	163,1	5,62		X	X		X	X
172,40/39182	222,5	7,50		X	X		X	X
226,80/51545	266,9	10,10		X	X		X	X
280,20/63682	361,1	13,45		X	X		X	X
353,80/80409	466,8	16,15		X	X		X	X
510,30/115977	671,6	23,20		X	X		X	X



Standard range



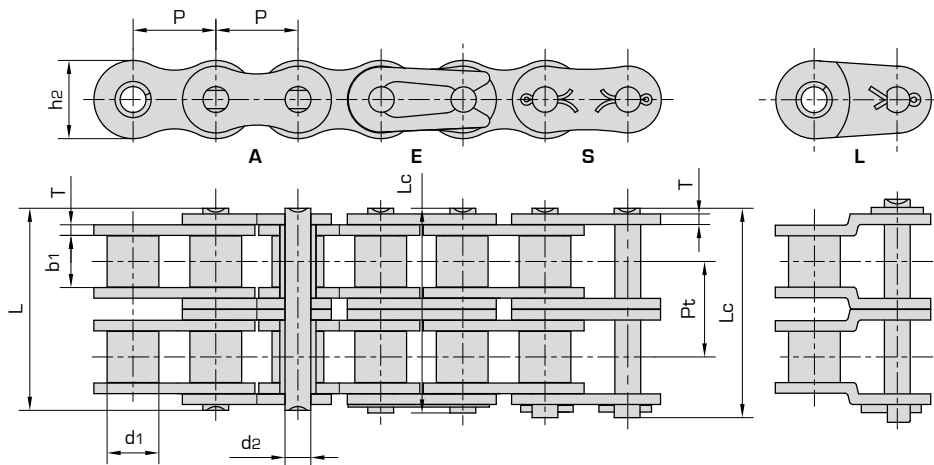
All Donghua roller chains are: Pre-loaded, Fatigue resistant, Wear resistant and Pre-lubricated. Donghua simplex, duplex and triplex roller chains are manufactured according to ISO 606 DIN8187, standard pre-loaded, pre-lubricated, do have seamless rollers and are marked with production batch code number for complete traceability. All Donghua roller chains are sealed in plastic bags and packed in cardboard boxes with clear ISO 606 DIN descriptions and safety instructions. Standard packaging size is 5 meter box, reels are available on request. Rollers chains which are needed for 'run as pairs' applications can be matched as pairs on request. DIN, 1/2DIN and 1/3DIN length tolerance are possible, please ask us for a quotation. For high temperature, low temperature, food application or special environments different kind of special lubricants are available. Please ask our sales team for any special needs. For drive chain calculation and right dimension check, please contact our engineering department, also see drive chain calculation data sheet on page 301. By filling this data sheet and sending this to our engineering department you will receive a detailed drive chain calculation including life time expectation. Sprockets are available for all roller chains, with pilot bore, fixed bore, keyway, setscrew or bearing bore with grooves. Standard toothing, hardened toothing or special toothing are possible with pilot bore, fixed bore or taper bush. Chain tools, tensioners and chain lubricants please see page 302-310.

Short pitch precision roller chains (A series)

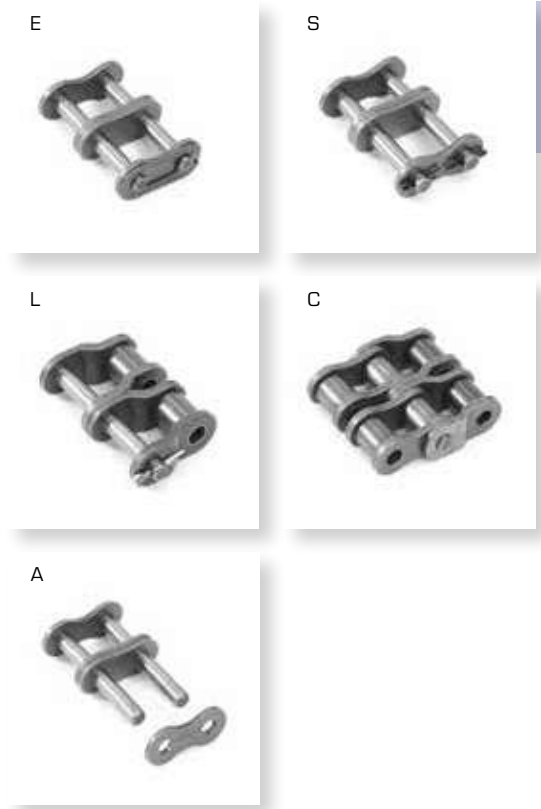
Duplex roller chains & bush chains

Part nr.	DIN/ISO 606 Chain no.	ANSI Chain no.	Pitch	Roller diameter	Width between inner plates	Pin diameter	Pin length		Inner plate depth	Plate thickness	Transverse pitch
							L max	Lc max			
							P	d1 max			
mm	mm	mm	mm	mm	mm	mm	mm	mm	mm	mm	
10025-2	*04C-2	*25-2	6,350	3,30	3,18	2,31	14,5	15,0	6,00	0,80	6,40
10035-2	*06C-2	*35-2	9,525	5,08	4,77	3,58	22,5	23,3	9,00	1,30	10,13
10041-1	085-2	41-2	12,700	7,77	6,25	3,58	25,7	26,9	9,91	1,30	11,95
10040-2	08A-2	40-2	12,700	7,95	7,85	3,96	31,0	32,2	12,00	1,50	14,38
10050-2	10A-2	50-2	15,875	10,16	9,40	5,08	38,9	40,4	15,09	2,03	18,11
10060-2	12A-2	60-2	19,050	11,91	12,57	5,94	48,8	50,5	18,00	2,42	22,78
10080-2	16A-2	80-2	25,400	15,88	15,75	7,92	62,7	64,3	24,00	3,25	29,29
100100-2	20A-2	100-2	31,750	19,05	18,90	9,53	76,4	80,5	30,00	4,00	35,76
100120-2	24A-2	120-2	38,100	22,23	25,22	11,10	95,8	99,7	35,70	4,80	45,44
100140-2	28A-2	140-2	44,450	25,40	25,22	12,70	103,3	107,9	41,00	5,60	48,87
100160-2	32A-2	160-2	50,800	28,58	31,55	14,27	123,3	128,1	47,80	6,40	58,55
100180-2	36A-2	180-2	57,150	35,71	35,48	17,46	138,6	144,4	53,60	7,20	65,84
100200-2	40A-2	200-2	63,500	39,68	37,85	19,85	151,9	158,8	60,00	8,00	71,55
100240-2	48A-2	240-2	76,200	47,63	47,35	23,81	183,4	190,8	72,39	9,50	87,83

* Bush chain: d1 in the table indicates the external diameter of the bush.



Ultimate tensile strength	Average tensile strength	Weight per meter	Available chain parts				
Q min	Q0	q	E	S	L	C	A
kN/lbf	kN	kg/m					
7,00/1591	10,0	0,28	X			X	X
15,80/3591	22,3	0,63	X			X	X
13,34/3032	16,9	0,81	X		X	X	X
28,20/6409	37,2	1,12	X		X	X	X
44,40/10091	62,6	2,00	X		X	X	X
63,60/14455	86,4	2,92	X		X	X	X
113,40/25773	148,6	5,15	X		X	X	X
177,00/40227	215,2	7,80		X	X		X
254,00/57727	326,2	11,70		X	X		X
344,80/78364	445,0	15,14		X	X		X
453,60/103091	533,8	20,14		X	X		X
560,50/127386	722,2	29,22		X	X		X
707,60/160818	933,6	32,24		X	X		X
1020,60/213955	1343,2	45,23		X	X		X



Standard range



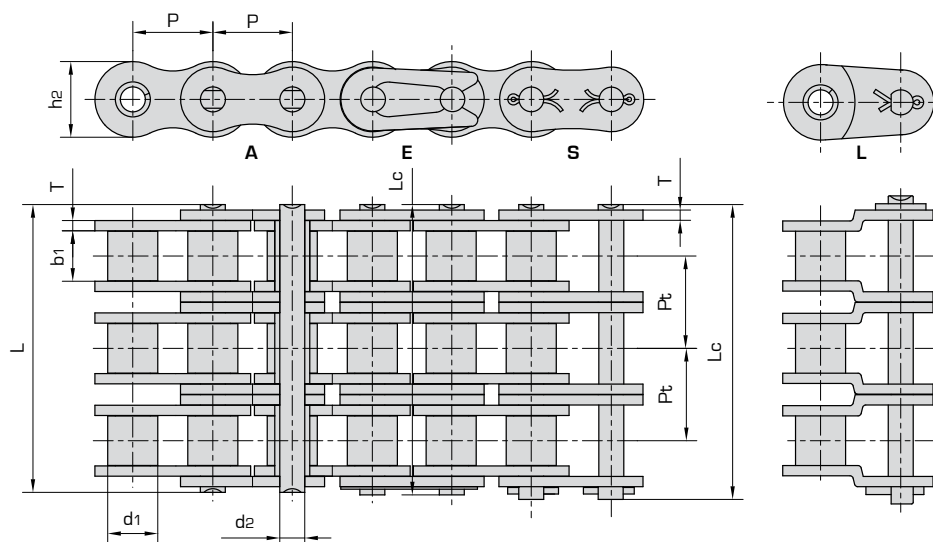
All Donghua roller chains are: Pre-loaded, Fatigue resistant, Wear resistant and Pre-lubricated. Donghua simplex, duplex and triplex roller chains are manufactured according to ISO 606 DIN8187, standard pre-loaded, pre-lubricated, do have seamless rollers and are marked with production batch code number for complete traceability. All Donghua roller chains are sealed in plastic bags and packed in cardboard boxes with clear ISO 606 DIN descriptions and safety instructions. Standard packaging size is 5 meter box, reels are available on request. Rollers chains which are needed for 'run as pairs' applications can be matched as pairs on request. DIN, 1/2DIN and 1/3DIN length tolerance are possible, please ask us for a quotation. For high temperature, low temperature, food application or special environments different kind of special lubricants are available. Please ask our sales team for any special needs. For drive chain calculation and right dimension check, please contact our engineering department, also see drive chain calculation data sheet on page 301. By filling this data sheet and sending this to our engineering department you will receive a detailed drive chain calculation including life time expectation. Sprockets are available for all roller chains, with pilot bore, fixed bore, keyway, setscrew or bearing bore with grooves. Standard toothing, hardened toothing or special toothing are possible with pilot bore, fixed bore or taper bush. Chain tools, tensioners and chain lubricants please see page 302-310.

Short pitch precision roller chains (A series)

Triplex roller chains & bush chains

Part nr.	DIN/ISO 606 Chain no.	ANSI Chain no.	Pitch	Roller diameter	Width between inner plates	Pin diameter	Pin length		Inner plate depth	Plate thickness	Transverse pitch
							L max	Lc max			
							P	d1 max			
mm	mm	mm	mm	mm	mm	mm	mm	mm	mm	mm	
10025-3	*04C-3	*25-3	6,350	3,30	3,18	2,31	21,0	21,5	6,00	0,80	6,40
10035-3	*06C-3	*35-3	9,525	5,08	4,77	3,58	32,7	33,5	9,00	1,30	10,13
10040-3	08A-3	40-3	12,700	7,95	7,85	3,96	45,4	46,6	12,00	1,50	14,38
10050-3	10A-3	50-3	15,875	10,16	9,40	5,08	57,0	58,5	15,09	2,03	18,11
10060-3	12A-3	60-3	19,050	11,91	12,57	5,94	71,5	73,3	18,00	2,42	22,78
10080-3	16A-3	80-3	25,400	15,88	15,75	7,92	91,7	93,6	24,00	3,25	29,29
100100-3	20A-3	100-3	31,750	19,05	18,90	9,53	112,2	116,3	30,00	4,00	35,76
100120-3	24A-3	120-3	38,100	22,23	25,22	11,10	141,4	145,2	35,70	4,80	45,44
100140-3	28A-3	140-3	44,450	25,40	25,22	12,70	152,2	156,8	41,00	5,60	48,87
100160-3	32A-3	160-3	50,800	28,58	31,55	14,27	181,8	186,6	47,80	6,40	58,55
100180-3	36A-3	180-3	57,150	35,71	35,48	17,46	204,4	210,2	53,60	7,20	65,84
100200-3	40A-3	200-3	63,500	39,68	37,85	19,85	223,5	230,4	60,00	8,00	71,55
100240-3	48A-3	240-3	76,200	47,63	47,35	23,81	271,3	278,6	72,39	9,50	87,83

* Bush chain: d1 in the table indicates the external diameter of the bush.



Ultimate tensile strength	Average tensile strength	Weight per meter	Available chain parts				
Q min	Q0	q	E	S	L	C	A
kN/lbf	kN	kg/m					
10,5/2386	15,0	0,44	X			X	X
23,7/5386	33,9	1,05	X			X	X
42,3/9614	55,8	1,90	X		X		X
66,6/15136	93,9	3,09	X		X		X
95,4/21682	129,6	4,54	X		X		X
170,1/38659	222,9	7,89	X		X		X
265,5/60341	322,8	11,77		X	X		X
381,0/86591	489,3	17,53		X	X		X
517,2/117545	667,5	22,20		X	X		X
680,4/154636	800,7	30,02		X	X		X
840,7/191068	1083,3	38,22		X	X		X
1061,4/241227	1400,4	49,03		X	X		X
1530,9/347932	2014,8	71,60		X	X		X



Standard range



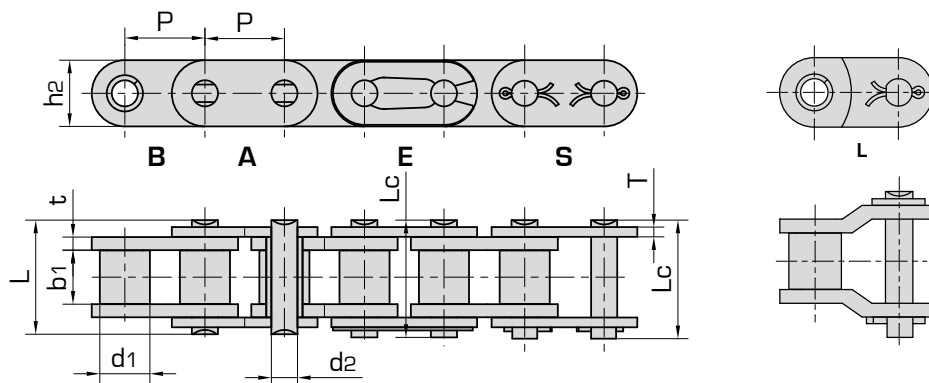
All Donghua roller chains are: Pre-loaded, Fatigue resistant, Wear resistant and Pre-lubricated. Donghua simplex, duplex and triplex roller chains are manufactured according to ISO 606 DIN8187, standard pre-loaded, pre-lubricated, do have seamless rollers and are marked with production batch code number for complete traceability. All Donghua roller chains are sealed in plastic bags and packed in cardboard boxes with clear ISO 606 DIN descriptions and safety instructions. Standard packaging size is 5 meter box, reels are available on request. Rollers chains which are needed for 'run as pairs' applications can be matched as pairs on request. DIN, 1/2DIN and 1/3DIN length tolerance are possible, please ask us for a quotation. For high temperature, low temperature, food application or special environments different kind of special lubricants are available. Please ask our sales team for any special needs. For drive chain calculation and right dimension check, please contact our engineering department, also see drive chain calculation data sheet on page 301. By filling this data sheet and sending this to our engineering department you will receive a detailed drive chain calculation including life time expectation. Sprockets are available for all roller chains, with pilot bore, fixed bore, keyway, setscrew or bearing bore with grooves. Standard toothing, hardened toothing or special toothing are possible with pilot bore, fixed bore or taper bush. Chain tools, tensioners and chain lubricants please see page 302-310.

Short pitch precision roller chains (B series)

With straight side plates

Simplex roller chains

Part nr.	DIN/ISO 606 Chain no.	Pitch	Roller diameter	Width between inner plates	Pin diameter	Pin length		Inner plate depth	Plate thickness
		P	d1 max	b1 min	d2 max	L max	Lc max	h2 max	T max
		mm	mm	mm	mm	mm	mm	mm	mm
10006B-1	C06B-1	9,525	6,35	5,72	3,28	13,15	14,1	8,20	1,30
10008B-1	C08B-1	12,700	8,51	7,75	4,45	16,70	18,2	11,80	1,60
10010B-1	C10B-1	15,875	10,16	9,65	5,08	19,50	20,9	14,70	1,70
10012B-1	C12B-1	19,050	12,07	11,68	5,72	22,50	24,2	16,00	1,85
10016B-1	C16B-1	25,400	15,88	17,02	8,28	36,10	37,4	21,00	4,15/3,1
10020B-1	C20B-1	31,750	19,05	19,56	10,19	41,30	45,0	26,40	4,50/3,5
10024B-1	C24B-1	38,100	25,40	25,40	14,63	53,40	57,8	33,20	6,00/4,8
10028B-1	C28B-1	44,450	27,94	30,99	15,90	65,10	69,5	36,70	7,50/6,0
10032B-1	C32B-1	50,800	29,21	30,99	17,81	66,00	71,0	42,00	7,00/6,0



Ultimate tensile strength	Average tensile strength	Weight per meter	Available chain parts						
Q min	Q0	q							
kN/lbf	kN	kg/m	E	S	L	C	A	B	
9,0/2045	10,4	0,41	X		X	X	X	X	
18,0/4091	19,4	0,69	X	X	X	X	X	X	
22,4/5091	27,5	0,93	X	X	X	X	X	X	
29,0/6591	32,2	1,15	X	X	X	X	X	X	
60,0/13636	72,8	2,71	X	X	X	X	X	X	
95,0/21591	106,7	3,70	X	X	X		X	X	
160,0/36364	178,0	7,10		X	X		X	X	
200,0/45455	222,0	8,50		X	X		X	X	
250,0/56818	277,5	10,25		X	X		X	X	



Standard range



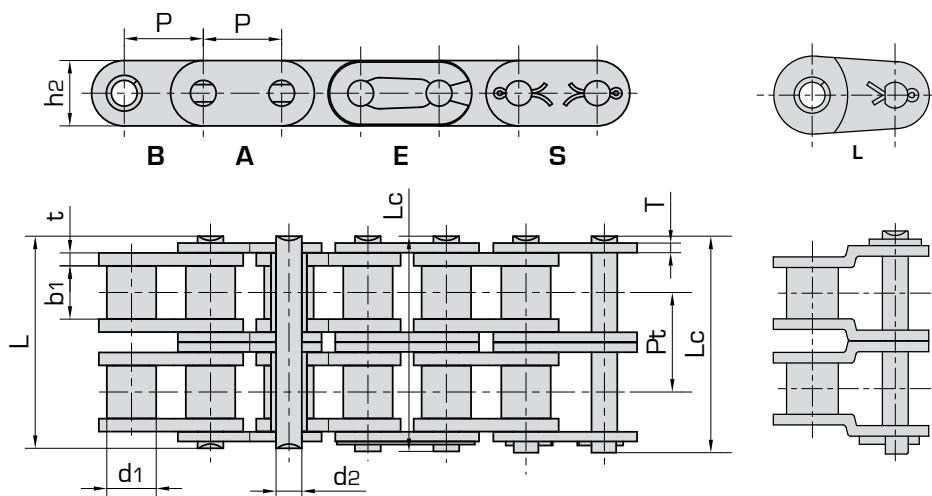
Donghua Straight Side Plate Roller Chains are built for conveying applications. The load capacity per Donghua Chain is exactly known; please ask our engineering department for any calculation examples. Donghua Straight Side Plate Roller Chains can be delivered in Stainless Steel 304 and 316, Zinc plated, Nickel plated, DR or ZinTek Coating and Self Lubricating versions. All Donghua roller chains are: Pre-loaded, Fatigue resistant, Wear resistant and Pre-lubricated. Donghua simplex, duplex and triplex roller chains are manufactured according to ISO 606 DIN8187, standard pre-loaded, pre-lubricated, do have seamless rollers and are marked with production batch code number for complete traceability. All Donghua roller chains are sealed in plastic bags and packed in cardboard boxes with clear ISO 606 DIN descriptions and safety instructions. Standard packaging size is 5 meter box, reels are available on request. Cut to length service is available on request. Several test certificates like breaking load, length tolerance and material analyses are possible and available on request. Rollers chains which are needed for 'run as pairs' applications can be matched as pairs on request. DIN, 1/2DIN and 1/3DIN length tolerance are possible, please ask us for a quotation. For high temperature, low temperature, food application or special environments different kind of special lubricants are available. Please ask our sales team for any special needs. For drive chain calculation and right dimension check, please contact our engineering department, also see drive chain calculation data sheet on page 301. By filling this data sheet and sending this to our engineering department you will receive a detailed drive chain calculation including life time expectation. Sprockets are available for all roller chains, with pilot bore, fixed bore, keyway, setscrew or bearing bore with grooves. Standard toothing, hardened toothing or special toothing are possible with pilot bore, fixed bore or taper bush. Chain tools, tensioners and chain lubricants please see page 302-310.

Short pitch precision roller chains (B series)

With straight side plates

Duplex roller chains

Part nr.	DIN/ISO 606 Chain no.	Pitch	Roller diameter	Width between inner plates	Pin diameter	Pin length	Inner plate depth	Plate thickness	Transverse pitch	
		P	d1 max	b1 min	d2 max	L max	Lc max	h2 max	T max	
		mm	mm	mm	mm	mm	mm	mm	mm	
10006B-2	C06B-2	9,525	6,35	5,72	3,28	23,4	24,4	8,20	1,30	10,24
100C08B-2	C08B-2	12,700	8,51	7,75	4,45	31,0	32,2	11,80	1,60	13,92
100C10B-2	C10B-2	15,875	10,16	9,65	5,08	36,1	37,5	14,70	1,70	16,59
100C12B-2	C12B-2	19,050	12,07	11,68	5,72	42,0	43,6	16,00	1,85	19,46
100C16B-2	C16B-2	25,400	15,88	17,02	8,28	68,0	69,3	21,00	4,15/3,1	31,88
100C20B-2	C20B-2	31,750	19,05	19,56	10,19	77,8	81,5	26,40	4,50/3,5	36,45
100C24B-2	C24B-2	38,100	25,40	25,40	14,63	101,7	106,2	33,20	6,00/4,8	48,36
100C28B-2	C28B-2	44,450	27,94	30,99	15,90	124,6	129,1	36,70	7,50/6,0	59,56
100C32B-2	C32B-2	50,800	29,21	30,99	17,81	124,6	129,6	42,00	7,00/6,0	58,55



Ultimate tensile strength	Average tensile strength	Weight per meter	Available chain parts				
Q min	Q0	q	E	S	L	C	A
kN/lbf	kN	kg/m					
16,9/3841	18,7	0,77	X		X	X	X
32,0/7273	38,7	1,34	X	X	X	X	X
44,5/10114	56,2	1,84	X	X	X	X	X
57,8/13136	66,1	2,31	X	X	X	X	X
106,0/24091	133,0	5,42	X	X	X	X	X
170,0/38636	211,2	7,20		X	X		X
280,0/63636	319,2	13,40		X	X		X
360,0/81818	406,8	16,60		X	X		X
450,0/102273	508,5	21,00		X	X		X

E



S



A



L



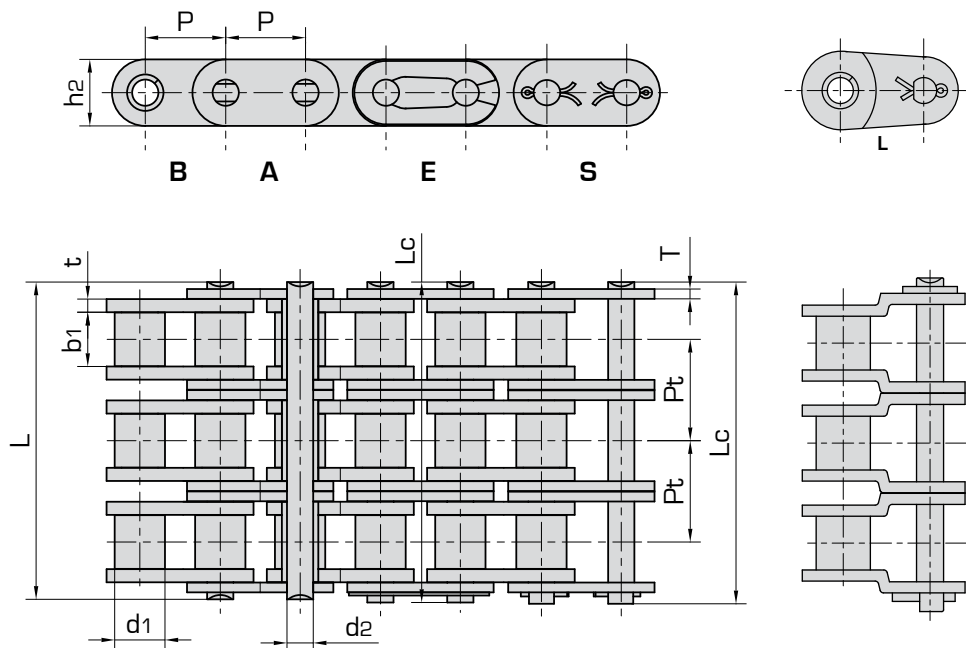
Donghua Straight Side Plate Roller Chains are built for conveying applications. The load capacity per Donghua Chain is exactly known; please ask our engineering department for any calculation examples. Donghua Straight Side Plate Roller Chains can be delivered in Stainless Steel 304 and 316, Zinc plated, Nickel plated, DR or ZinTek Coating and Self Lubricating versions. All Donghua roller chains are: Pre-loaded, Fatigue resistant, Wear resistant and Pre-lubricated. Donghua simplex, duplex and triplex roller chains are manufactured according to ISO 606 DIN8187, standard pre-loaded, pre-lubricated, do have seamless rollers and are marked with production batch code number for complete traceability. All Donghua roller chains are sealed in plastic bags and packed in cardboard boxes with clear ISO 606 DIN descriptions and safety instructions. Standard packaging size is 5 meter box, reels are available on request. Cut to length service is available on request. Several test certificates like breaking load, length tolerance and material analyses are possible and available on request. Rollers chains which are needed for 'run as pairs' applications can be matched as pairs on request. DIN, 1/2DIN and 1/3DIN length tolerance are possible, please ask us for a quotation. For high temperature, low temperature, food application or special environments different kind of special lubricants are available. Please ask our sales team for any special needs. For drive chain calculation and right dimension check, please contact our engineering department, also see drive chain calculation data sheet on page 301. By filling this data sheet and sending this to our engineering department you will receive a detailed drive chain calculation including life time expectation. Sprockets are available for all roller chains, with pilot bore, fixed bore, keyway, setscrew or bearing bore with grooves. Standard toothing, hardened toothing or special toothing are possible with pilot bore, fixed bore or taper bush. Chain tools, tensioners and chain lubricants please see page 302-310.

Short pitch precision roller chains (B series)

With straight side plates

Triplex roller chains

Part nr.	DIN/ISO 606 Chain no.	Pitch	Roller diameter	Width between inner plates	Pin diameter	Pin length	Inner plate depth	Plate thickness	Transverse pitch	
		P	d1 max	b1 min	d2 max	L max	Lc max	h2 max	T max	
		mm	mm	mm	mm	mm	mm	mm	mm	
10006B-3	C06B-3	9,525	6,35	5,72	3,28	33,5	34,6	8,20	1,30	10,24
100C08B-3	C08B-3	12,700	8,51	7,75	4,45	45,1	46,1	11,80	1,60	13,92
100C10B-3	C10B-3	15,875	10,16	9,65	5,08	52,7	54,1	14,70	1,70	16,59
100C12B-3	C12B-3	19,050	12,07	11,68	5,72	61,5	63,1	16,00	1,85	19,46
100C16B-3	C16B-3	25,400	15,88	17,02	8,28	99,8	101,2	21,00	4,15/3,1	31,88
100C20B-3	C20B-3	31,750	19,05	19,56	10,19	114,2	117,9	26,40	4,50/3,5	36,45
100C24B-3	C24B-3	38,100	25,40	25,40	14,63	150,1	154,6	33,20	6,00/4,8	48,36
100C28B-3	C28B-3	44,450	27,94	30,99	15,90	184,2	188,7	36,70	7,50/6,0	59,56
100C32B-3	C32B-3	50,800	29,21	30,99	17,81	183,2	188,2	42,00	7,00/6,0	58,55



Ultimate tensile strength	Average tensile strength	Weight per meter	Available chain parts				
Q min	Q0	q	E	S	L	C	A
kN/lbf	kN	kg/m					
24,9/5659	30,1	1,16	X		X	X	X
47,5/10795	57,8	2,03	X	X	X	X	X
66,7/15159	84,5	2,77	X	X	X	X	X
86,7/19705	101,8	3,46	X	X	X	X	X
160,0/36364	203,7	8,13	X	X	X	X	X
250,0/56818	290,0	10,82		X	X		X
425,0/96591	493,0	20,10		X	X		X
530,0/120454	609,5	24,92		X	X		X
670,0/152273	770,5	31,56		X	X		X

E



S



A



L



Donghua Straight Side Plate Roller Chains are built for conveying applications. The load capacity per Donghua Chain is exactly known; please ask our engineering department for any calculation examples. Donghua Straight Side Plate Roller Chains can be delivered in Stainless Steel 304 and 316, Zinc plated, Nickel plated, DR or ZinTek Coating and Self Lubricating versions. All Donghua roller chains are: Pre-loaded, Fatigue resistant, Wear resistant and Pre-lubricated. Donghua simplex, duplex and triplex roller chains are manufactured according to ISO 606 DIN8187, standard pre-loaded, pre-lubricated, do have seamless rollers and are marked with production batch code number for complete traceability. All Donghua roller chains are sealed in plastic bags and packed in cardboard boxes with clear ISO 606 DIN descriptions and safety instructions. Standard packaging size is 5 meter box, reels are available on request. Cut to length service is available on request. Several test certificates like breaking load, length tolerance and material analyses are possible and available on request. Rollers chains which are needed for 'run as pairs' applications can be matched as pairs on request. DIN, 1/2DIN and 1/3DIN length tolerance are possible, please ask us for a quotation. For high temperature, low temperature, food application or special environments different kind of special lubricants are available. Please ask our sales team for any special needs. For drive chain calculation and right dimension check, please contact our engineering department, also see drive chain calculation data sheet on page 301. By filling this data sheet and sending this to our engineering department you will receive a detailed drive chain calculation including life time expectation. Sprockets are available for all roller chains, with pilot bore, fixed bore, keyway, setscrew or bearing bore with grooves. Standard toothing, hardened toothing or special toothing are possible with pilot bore, fixed bore or taper bush. Chain tools, tensioners and chain lubricants please see page 302-310.

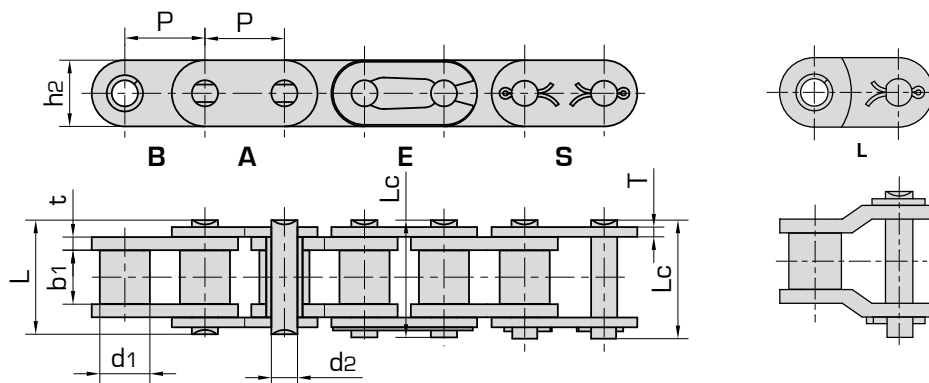
Short pitch precision roller chains (A series)

With straight side plates

Simplex roller chains & bush chains

Part nr.	DIN/ISO 606 Chain no.	ANSI Chain no.	Pitch	Roller diameter	Width between inner plates	Pin diameter	Pin length		Inner plate depth	Plate thickness
			P	d1 max	b1 min	d2 max	L max	Lc max	h2 max	T max
			mm	mm	mm	mm	mm	mm	mm	mm
100C25-1	*C04C-1	*25	6,350	3,30	3,18	2,31	7,90	8,40	6,00	0,80
100C35-1	*C06C-1	*35	9,525	5,08	4,77	3,58	12,40	13,17	9,00	1,30
100C40-1	C08A-1	40	12,700	7,95	7,85	3,96	16,60	17,80	12,00	1,50
100C50-1	C10A-1	50	15,875	10,16	9,40	5,08	20,70	22,20	15,09	2,03
100C60-1	C12A-1	60	19,050	11,91	12,57	5,94	25,90	27,70	18,00	2,42
100C80-1	C16A-1	80	25,400	15,88	15,75	7,92	32,70	35,00	24,00	3,25
100C100-1	C20A-1	100	31,750	19,05	18,90	9,53	40,40	44,70	30,00	4,00
100C120-1	C24A-1	120	38,100	22,23	25,22	11,10	50,30	54,30	35,70	4,80
100C140-1	C28A-1	140	44,450	25,40	25,22	12,70	54,40	59,00	41,00	5,60
100C160-1	C32A-1	160	50,800	28,58	31,55	14,27	64,80	69,60	47,80	6,40

* Bush chain: d1 in the table indicates the external diameter of the bush.



Ultimate tensile strength	Average tensile strength	Weight per meter	Available chain parts					
Q min	Q0	q	E	S	L	C	A	B
kN/lbf	kN	kg/m						
3,50/795	4,6	0,15	X			X	X	X
7,90/1795	10,8	0,33	X		X	X	X	X
14,10/3205	17,5	0,62	X		X	X	X	X
22,20/5045	29,4	1,02	X		X	X	X	X
31,80/7227	41,5	1,50	X		X	X	X	X
56,70/12886	69,4	2,60	X		X	X	X	X
88,50/20114	109,2	3,91		X	X		X	X
127,00/28864	156,3	5,62		X	X		X	X
172,40/39182	212,0	7,50		X	X		X	X
226,80/51545	278,9	10,10		X	X		X	X

E



S



A



Donghua Straight Side Plate Roller Chains are built for conveying applications. The load capacity per Donghua Chain is exactly known; please ask our engineering department for any calculation examples. Donghua Straight Side Plate Roller Chains can be delivered in Stainless Steel 304 and 316, Zinc plated, Nickel plated, DR or ZinTek Coating and Self Lubricating versions. All Donghua roller chains are: Pre-loaded, Fatigue resistant, Wear resistant and Pre-lubricated. Donghua simplex, duplex and triplex roller chains are manufactured according to ISO 606 DIN8187, standard pre-loaded, pre-lubricated, do have seamless rollers and are marked with production batch code number for complete traceability. All Donghua roller chains are sealed in plastic bags and packed in cardboard boxes with clear ISO 606 DIN descriptions and safety instructions. Standard packaging size is 5 meter box, reels are available on request. Cut to length service is available on request. Several test certificates like breaking load, length tolerance and material analyses are possible and available on request. Rollers chains which are needed for 'run as pairs' applications can be matched as pairs on request. DIN, 1/2DIN and 1/3DIN length tolerance are possible, please ask us for a quotation. For high temperature, low temperature, food application or special environments different kind of special lubricants are available. Please ask our sales team for any special needs. For drive chain calculation and right dimension check, please contact our engineering department, also see drive chain calculation data sheet on page 301. By filling this data sheet and sending this to our engineering department you will receive a detailed drive chain calculation including life time expectation. Sprockets are available for all roller chains, with pilot bore, fixed bore, keyway, setscrew or bearing bore with grooves. Standard toothing, hardened toothing or special toothing are possible with pilot bore, fixed bore or taper bush. Chain tools, tensioners and chain lubricants please see page 302-310.

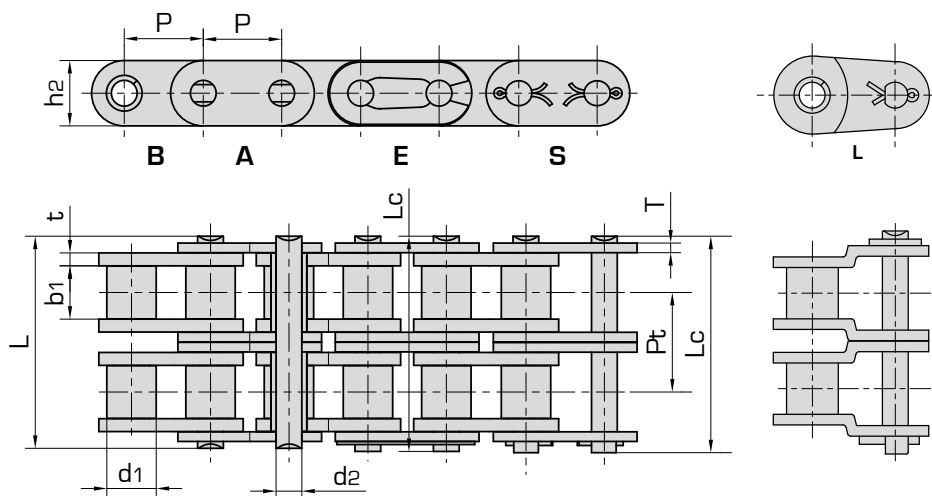
Short pitch precision roller chains (A series)

With straight side plates

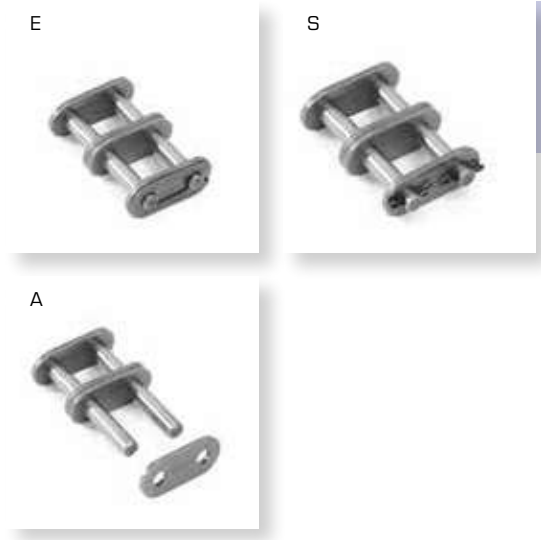
Duplex roller chains & bush chains

Part nr.	DIN/ISO 606 Chain no.	ANSI Chain no.	Pitch	Roller diameter		Pin diameter		Pin length		Inner plate depth	Plate thickness	Transverse pitch	
				d1 max	b1 min	d2 max	L max	Lc max	h2 max				T max
				mm	mm	mm	mm	mm	mm				mm
100C25-2	*C04C-2	*25-2	6,350	3,30	3,18	2,31	14,5	15,0	6,00	0,80	6,40		
100C35-2	*C06C-2	*35-2	9,525	5,08	4,77	3,58	22,5	23,3	9,00	1,30	10,13		
100C40-2	C08A-2	40-2	12,700	7,95	7,85	3,96	31,0	32,2	12,00	1,50	14,38		
100C50-2	C10A-2	50-2	15,875	10,16	9,40	5,08	38,9	40,4	15,09	2,03	18,11		
100C60-2	C12A-2	60-2	19,050	11,91	12,57	5,94	48,8	50,5	18,00	2,42	22,78		
100C80-2	C16A-2	80-2	25,400	15,88	15,75	7,92	62,7	64,3	24,00	3,25	29,29		
100C100-2	C20A-2	100-2	31,750	19,05	18,90	9,53	76,4	80,5	30,00	4,00	35,76		
100C120-2	C24A-2	120-2	38,100	22,23	25,22	11,10	95,8	99,7	35,70	4,80	45,44		
100C140-2	C28A-2	140-2	44,450	25,40	25,22	12,70	103,3	107,9	41,00	5,60	48,87		
100C160-2	C32A-2	160-2	50,800	28,58	31,55	14,27	123,3	128,1	47,80	6,40	58,55		

* Bush chain: d1 in the table indicates the external diameter of the bush.



Ultimate tensile strength	Average tensile strength	Weight per meter	Available chain parts				
Q min	Q0	q	E	S	L	C	A
kN/lbf	kN	kg/m					
7,00/1591	8,6	0,28	X			X	X
15,80/3591	19,7	0,63	X			X	X
28,20/6409	35,9	1,12	X		X	X	X
44,40/10091	58,1	2,00	X		X	X	X
63,60/14455	82,1	2,92	X		X	X	X
113,40/25773	141,8	5,15	X		X	X	X
177,00/40227	219,4	7,80		X	X		X
254,00/57727	314,9	11,70		X	X		X
344,80/78364	427,5	15,14		X	X		X
453,60/103091	562,4	20,14		X	X		X



Standard range



Donghua Straight Side Plate Roller Chains are built for conveying applications. The load capacity per Donghua Chain is exactly known; please ask our engineering department for any calculation examples. Donghua Straight Side Plate Roller Chains can be delivered in Stainless Steel 304 and 316, Zinc plated, Nickel plated, DR or ZinTek Coating and Self Lubricating versions. All Donghua roller chains are: Pre-loaded, Fatigue resistant, Wear resistant and Pre-lubricated. Donghua simplex, duplex and triplex roller chains are manufactured according to ISO 606 DIN8187, standard pre-loaded, pre-lubricated, do have seamless rollers and are marked with production batch code number for complete traceability. All Donghua roller chains are sealed in plastic bags and packed in cardboard boxes with clear ISO 606 DIN descriptions and safety instructions. Standard packaging size is 5 meter box, reels are available on request. Cut to length service is available on request. Several test certificates like breaking load, length tolerance and material analyses are possible and available on request. Rollers chains which are needed for 'run as pairs' applications can be matched as pairs on request. DIN, 1/2DIN and 1/3DIN length tolerance are possible, please ask us for a quotation. For high temperature, low temperature, food application or special environments different kind of special lubricants are available. Please ask our sales team for any special needs. For drive chain calculation and right dimension check, please contact our engineering department, also see drive chain calculation data sheet on page 301. By filling this data sheet and sending this to our engineering department you will receive a detailed drive chain calculation including life time expectation. Sprockets are available for all roller chains, with pilot bore, fixed bore, keyway, setscrew or bearing bore with grooves. Standard toothing, hardened toothing or special toothing are possible with pilot bore, fixed bore or taper bush. Chain tools, tensioners and chain lubricants please see page 302-310.

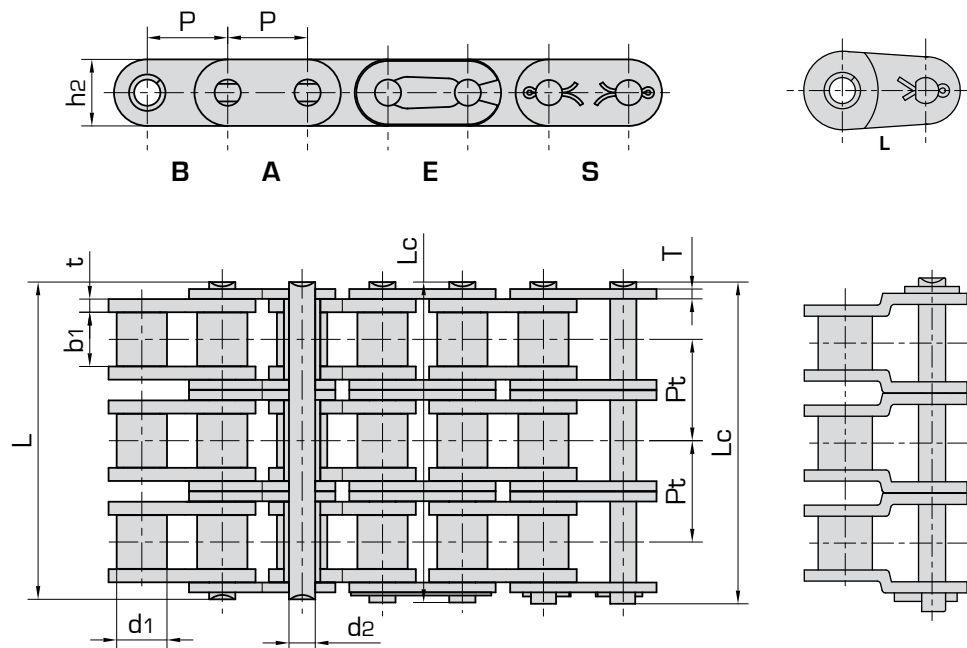
Short pitch precision roller chains (A series)

With straight side plates

Triplex roller chains & bush chains

Part nr.	DIN/ISO 606 Chain no.	ANSI Chain no.	Pitch	Roller diameter		Pin diameter		Pin length		Inner plate depth	Plate thickness	Transverse pitch
				d1 max	b1 min	d2 max	L max	Lc max				
				mm	mm	mm	mm	mm	mm			
100C25-3	*C04C-3	*25-3	6,350	3,30	3,18	2,31	21,0	21,5	6,00	0,80	6,40	
100C35-3	*C06C-3	*35-3	9,525	5,08	4,77	3,58	32,7	33,5	9,00	1,30	10,13	
100C40-3	C08A-3	40-3	12,700	7,95	7,85	3,96	45,4	46,6	12,00	1,50	14,38	
100C50-3	C10A-3	50-3	15,875	10,16	9,40	5,08	57,0	58,5	15,09	2,03	18,11	
100C60-3	C12A-3	60-3	19,050	11,91	12,57	5,94	71,5	73,3	18,00	2,42	22,78	
100C80-3	C16A-3	80-3	25,400	15,88	15,75	7,92	91,7	93,6	24,00	3,25	29,29	
100C100-3	C20A-3	100-3	31,750	19,05	18,90	9,53	112,2	116,3	30,00	4,00	35,76	
100C120-3	C24A-3	120-3	38,100	22,23	25,22	11,10	141,4	145,2	35,70	4,80	45,44	
100C140-3	C28A-3	140-3	44,450	25,40	25,22	12,70	152,2	156,8	41,00	5,60	48,87	
100C160-3	C32A-3	160-3	50,800	28,58	31,55	14,27	181,8	186,6	47,80	6,40	58,55	

* Bush chain: d1 in the table indicates the external diameter of the bush.



Ultimate tensile strength	Average tensile strength	Weight per meter	Available chain parts				
Q min	Q0	q	E	S	L	C	A
kN/lbf	kN	kg/m					
10,5/2386	12,6	0,44	X			X	X
23,7/5386	28,6	1,05	X			X	X
42,3/9614	50,0	1,90	X		X		X
66,6/15136	77,8	3,09	X		X		X
95,4/21682	111,1	4,54	X		X		X
170,1/38659	198,4	7,89	X		X		X
265,5/60341	309,6	11,77		X	X		X
381,0/86591	437,2	17,53		X	X		X
517,2/117545	593,3	22,20		X	X		X
680,4/154636	780,6	30,02		X	X		X

E



S



A

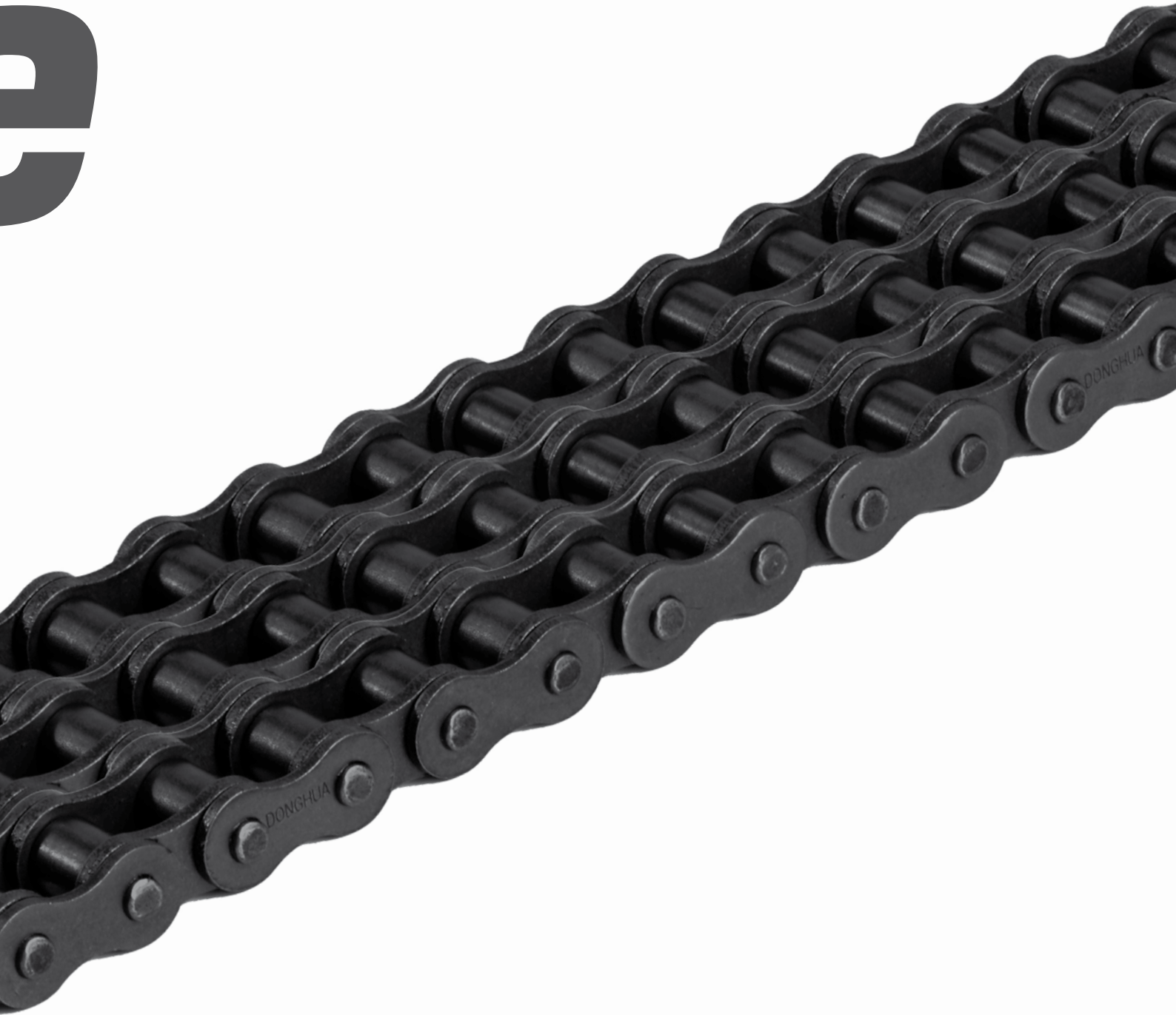


Donghua Straight Side Plate Roller Chains are built for conveying applications. The load capacity per Donghua Chain is exactly known; please ask our engineering department for any calculation examples. Donghua Straight Side Plate Roller Chains can be delivered in Stainless Steel 304 and 316, Zinc plated, Nickel plated, DR or ZinTek Coating and Self Lubricating versions. All Donghua roller chains are: Pre-loaded, Fatigue resistant, Wear resistant and Pre-lubricated. Donghua simplex, duplex and triplex roller chains are manufactured according to ISO 606 DIN8187, standard pre-loaded, pre-lubricated, do have seamless rollers and are marked with production batch code number for complete traceability. All Donghua roller chains are sealed in plastic bags and packed in cardboard boxes with clear ISO 606 DIN descriptions and safety instructions. Standard packaging size is 5 meter box, reels are available on request. Cut to length service is available on request. Several test certificates like breaking load, length tolerance and material analyses are possible and available on request. Rollers chains which are needed for 'run as pairs' applications can be matched as pairs on request. DIN, 1/2DIN and 1/3DIN length tolerance are possible, please ask us for a quotation. For high temperature, low temperature, food application or special environments different kind of special lubricants are available. Please ask our sales team for any special needs. For drive chain calculation and right dimension check, please contact our engineering department, also see drive chain calculation data sheet on page 301. By filling this data sheet and sending this to our engineering department you will receive a detailed drive chain calculation including life time expectation. Sprockets are available for all roller chains, with pilot bore, fixed bore, keyway, setscrew or bearing bore with grooves. Standard toothing, hardened toothing or special toothing are possible with pilot bore, fixed bore or taper bush. Chain tools, tensioners and chain lubricants please see page 302-310.

Premium

range

e



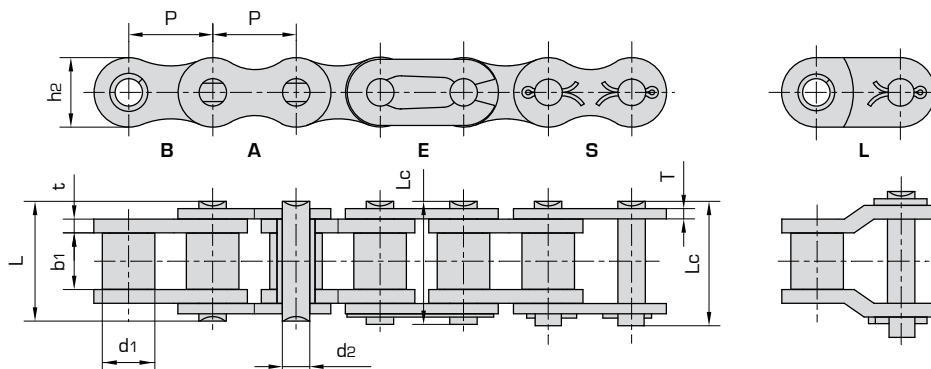
Short pitch precision roller chains (B series)

New Donghua X³ series

Simplex roller chains

Part nr.	DIN/ISO 606 Chain no.	Pitch	Roller diameter	Width between inner plates	Pin diameter	Pin length	Inner plate depth	Plate thickness	
		P	d1 max	b1 min	d2 max	L max	Lc max	h2 max	T max
		mm	mm	mm	mm	mm	mm	mm	mm
10004B-1X3	04B-1X3	6,000	4,00	2,80	1,85	6,80	7,8	5,00	0,60
10005B-1X3	05B-1X3	8,000	5,00	3,00	2,31	8,20	8,9	7,10	0,80
10006B-1X3	*06B-1X3	9,525	6,35	5,72	3,28	13,15	14,1	8,20	1,30
10008B-1X3	08B-1X3	12,700	8,51	7,75	4,45	16,70	18,2	11,80	1,60
10010B-1X3	10B-1X3	15,875	10,16	9,65	5,08	19,50	20,9	14,70	1,70
10012B-1X3	12B-1X3	19,050	12,07	11,68	5,72	22,50	24,2	16,00	1,85
10016B-1X3	16B-1X3	25,400	15,88	17,02	8,28	36,10	37,4	21,00	4,15/3,1
10020B-1X3	20B-1X3	31,750	19,05	19,56	10,19	41,30	45,0	26,40	4,50/3,5
10024B-1X3	24B-1X3	38,100	25,40	25,40	14,63	53,40	57,8	33,20	6,00/4,8
10028B-1X3	28B-1X3	44,450	27,94	30,99	15,90	65,10	69,5	36,70	7,50/6,0
10032B-1X3	32B-1X3	50,800	29,21	30,99	17,81	66,00	71,0	42,00	7,00/6,0
10040B-1X3	40B-1X3	63,500	39,37	38,10	22,89	82,20	89,2	52,96	8,50/8,0
10048B-1X3	48B-1X3	76,200	48,26	45,72	29,24	99,10	107,0	63,80	12,00/10,0
10056B-1X3	56B-1X3	88,900	53,98	53,34	34,32	114,60	123,0	77,80	13,50/12,0
10064B-1X3	64B-1X3	101,600	63,50	60,96	39,40	130,00	138,5	90,17	15,00/13,0
10072B-1X3	72B-1X3	114,300	72,39	68,58	44,48	147,40	156,4	103,60	17,00/15,0

* Straight side plates





Premium
range

Ultimate tensile strength	Average tensile strength	Weight per meter	Available chain parts						
Q min	Q0	q	E	S	L	C	A	B	
kN/lbf	kN	kg/m							
3,0/682	3,2	0,11	X		X	X	X	X	
5,0/1136	5,9	0,20	X		X	X	X	X	
9,0/2045	10,4	0,41	X		X	X	X	X	
18,0/4091	19,4	0,69	X	X	X	X	X	X	
22,4/5091	27,5	0,93	X	X	X	X	X	X	
29,0/6591	32,2	1,15	X	X	X	X	X	X	
60,0/13636	77,1	2,71	X	X	X	X	X	X	
95,0/21591	112,8	3,70	X	X	X		X	X	
160,0/36364	178,0	7,10		X	X		X	X	
200,0/45455	236,4	8,50		X	X		X	X	
250,0/56818	277,5	10,25		X	X		X	X	
355,0/80682	394,0	16,35		X	X		X	X	
560,0/127272	621,6	25,00		X	X		X	X	
850,0/193180	940,0	35,78		X	X		X	X	
1120,0/254544	1240,0	46,00		X	X		X	X	
1400,0/318180	1550,0	60,80		X	X		X	X	

E



S



L



C



A



B



Our NEW DONGHUA X3 SERIES is within our Premium Quality product range offering 3 times better wear resistance, fatigue resistance and higher precision than our standard range. By using new hardening technologies and special anti-friction coating technology on the pin surface, the coefficient of friction between pin and bush is reduced to a minimum. Extreme wear resistance is the result. All Donghua roller chains are: Pre-loaded, Fatigue resistant, Wear resistant and Pre-lubricated. Donghua simplex, duplex and triplex roller chains are manufactured according to ISO 606 DIN8187, standard pre-loaded, pre-lubricated, do have seamless rollers and are marked with production batch code number for complete traceability. All Donghua roller chains are sealed in plastic bags and packed in cardboard boxes with clear ISO 606 DIN descriptions and safety instructions. Standard packaging size is 5 meter box, reels are available on request. Cut to length service is available on request. Several test certificates like breaking load, length tolerance and material analyses are possible and available on request. Rollers chains which are needed for 'run as pairs' applications can be matched as pairs on request. DIN, 1/2DIN and 1/3DIN length tolerance are possible, please ask us for a quotation. For high temperature, low temperature, food application or special environments different kind of special lubricants are available. Please ask our sales team for any special needs. For drive chain calculation and right dimension check, please contact our engineering department, also see drive chain calculation data sheet on page 301. By filling this data sheet and sending this to our engineering department you will receive a detailed drive chain calculation including life time expectation. Sprockets are available for all roller chains, with pilot bore, fixed bore, keyway, setscrew or bearing bore with grooves. Standard toothing, hardened toothing or special toothing are possible with pilot bore, fixed bore or taper bush. Chain tools, tensioners and chain lubricants please see page 302-310.

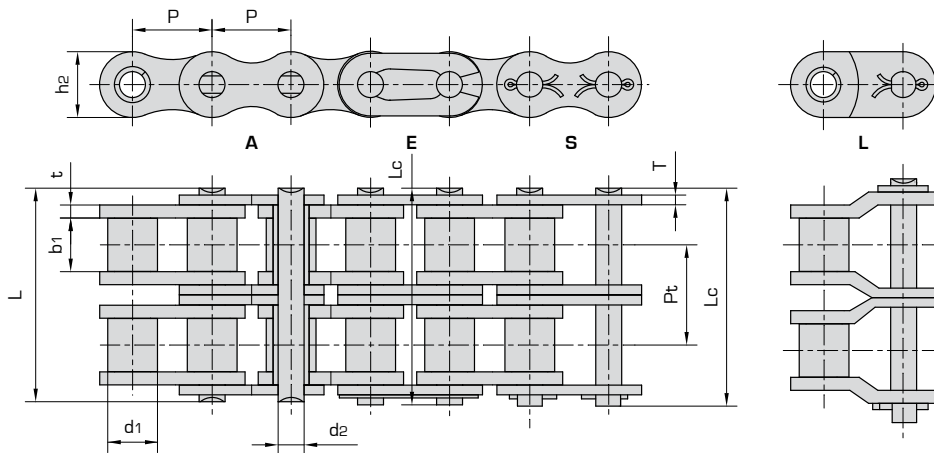
Short pitch precision roller chains (B series)

New Donghua X³ series

Duplex roller chains

Part nr.	DIN/ISO 606 Chain no.	Pitch	Roller diameter	Width between inner plates	Pin diameter	Pin length	Inner plate depth	Plate thickness	Transverse pitch	
		P	d1 max	b1 min	d2 max	L max	Lc max	h2 max	T max	Pt
		mm	mm	mm	mm	mm	mm	mm	mm	mm
10004B-2X3	04B-2X3	6,000	4,00	2,80	1,85	13,2	14,2	5,00	0,60	5,50
10005B-2X3	05B-2X3	8,000	5,00	3,00	2,31	13,9	14,5	7,10	0,80	5,64
10006B-2X3	*06B-2X3	9,525	6,35	5,72	3,28	23,4	24,4	8,20	1,30	10,24
10008B-2X3	08B-2X3	12,700	8,51	7,75	4,45	31,0	32,2	11,80	1,60	13,92
10010B-2X3	10B-2X3	15,875	10,16	9,65	5,08	36,1	37,5	14,70	1,70	16,59
10012B-2X3	12B-2X3	19,050	12,07	11,68	5,72	42,0	43,6	16,00	1,85	19,46
10016B-2X3	16B-2X3	25,400	15,88	17,02	8,28	68,0	69,3	21,00	4,15/3,1	31,88
10020B-2X3	20B-2X3	31,750	19,05	19,56	10,19	77,8	81,5	26,40	4,50/3,5	36,45
10024B-2X3	24B-2X3	38,100	25,40	25,40	14,63	101,7	106,2	33,20	6,00/4,8	48,36
10028B-2X3	28B-2X3	44,450	27,94	30,99	15,90	124,6	129,1	36,70	7,50/6,0	59,56
10032B-2X3	32B-2X3	50,800	29,21	30,99	17,81	124,6	129,6	42,00	7,00/6,0	58,55
10040B-2X3	40B-2X3	63,500	39,37	38,10	22,89	154,5	161,5	52,96	8,50/8,0	72,29
10048B-2X3	48B-2X3	76,200	48,26	45,72	29,24	190,4	198,2	63,80	12,00/10,0	91,21
10056B-2X3	56B-2X3	88,900	53,98	53,34	34,32	221,2	229,6	77,80	13,50/12,0	106,60
10064B-2X3	64B-2X3	101,600	63,50	60,96	39,40	249,9	258,4	90,17	15,00/13,0	119,89
10072B-2X3	72B-2X3	114,300	72,39	68,58	44,48	283,7	292,7	103,60	17,00/15,0	136,27

* Straight side plates





Ultimate tensile strength	Average tensile strength	Weight per meter	Available chain parts				
Q min	Q0	q	E	S	L	C	A
kN/lbf	kN	kg/m					
5,0/1124	6,1	0,23	X		X	X	X
7,8/1773	10,2	0,33	X		X	X	X
16,9/3841	18,7	0,77	X		X	X	X
32,0/7273	38,7	1,34	X	X	X	X	X
44,5/10114	56,2	1,84	X	X	X	X	X
57,8/13136	66,1	2,31	X	X	X	X	X
106,0/24091	152,1	5,42	X	X	X	X	X
170,0/38636	229,0	7,20		X	X		X
280,0/63636	319,2	13,40		X	X		X
360,0/81818	406,8	16,60		X	X		X
450,0/102273	508,5	21,00		X	X		X
630,0/143182	711,9	32,00		X	X		X
1000,0/227272	1130,0	50,00		X	X		X
1600,0/363635	1760,0	71,48		X	X		X
2000,0/454544	2200,0	91,00		X	X		X
2500,0/568180	2750,0	120,40		X	X		X



Our NEW DONGHUA X3 SERIES is within our Premium Quality product range offering 3 times better wear resistance, fatigue resistance and higher precision than our standard range. By using new hardening technologies and special anti-friction coating technology on the pin surface, the coefficient of friction between pin and bush is reduced to a minimum. Extreme wear resistance is the result. All Donghua roller chains are: Pre-loaded, Fatigue resistant, Wear resistant and Pre-lubricated. Donghua simplex, duplex and triplex roller chains are manufactured according to ISO 606 DIN8187, standard pre-loaded, pre-lubricated, do have seamless rollers and are marked with production batch code number for complete traceability. All Donghua roller chains are sealed in plastic bags and packed in cardboard boxes with clear ISO 606 DIN descriptions and safety instructions. Standard packaging size is 5 meter box, reels are available on request. Cut to length service is available on request. Several test certificates like breaking load, length tolerance and material analyses are possible and available on request. Rollers chains which are needed for 'run as pairs' applications can be matched as pairs on request. DIN, 1/2DIN and 1/3DIN length tolerance are possible, please ask us for a quotation. For high temperature, low temperature, food application or special environments different kind of special lubricants are available. Please ask our sales team for any special needs. For drive chain calculation and right dimension check, please contact our engineering department, also see drive chain calculation data sheet on page 301. By filling this data sheet and sending this to our engineering department you will receive a detailed drive chain calculation including life time expectation. Sprockets are available for all roller chains, with pilot bore, fixed bore, keyway, setscrew or bearing bore with grooves. Standard toothing, hardened toothing or special toothing are possible with pilot bore, fixed bore or taper bush. Chain tools, tensioners and chain lubricants please see page 302-310.

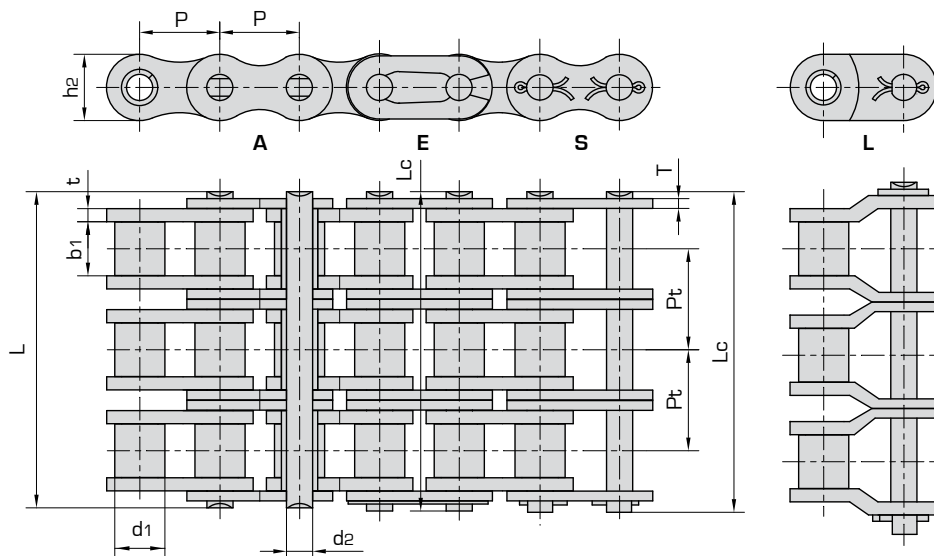
Short pitch precision roller chains (B series)

New Donghua X³ series

Triplex roller chains

Part nr.	DIN/ISO 606 Chain no.	Pitch	Roller diameter	Width between inner plates	Pin diameter	Pin length	Inner plate depth	Plate thickness	Transverse pitch	
		P	d1 max	b1 min	d2 max	L max	Lc max	h2 max	T max	Pt
		mm	mm	mm	mm	mm	mm	mm	mm	mm
10005B-3X3	05B-3X3	8,000	5,00	3,00	2,31	19,5	20,2	7,10	0,80	5,64
10006B-3X3	*06B-3X3	9,525	6,35	5,72	3,28	33,5	34,6	8,20	1,30	10,24
10008B-3X3	08B-3X3	12,700	8,51	7,75	4,45	45,1	46,1	11,80	1,60	13,92
10010B-3X3	10B-3X3	15,875	10,16	9,65	5,08	52,7	54,1	14,70	1,70	16,59
10012B-3X3	12B-3X3	19,050	12,07	11,68	5,72	61,5	63,1	16,00	1,85	19,46
10016B-3X3	16B-3X3	25,400	15,88	17,02	8,28	99,8	101,2	21,00	4,15/3,1	31,88
10020B-3X3	20B-3X3	31,750	19,05	19,56	10,19	114,2	117,9	26,40	4,50/3,5	36,45
10024B-3X3	24B-3X3	38,100	25,40	25,40	14,63	150,1	154,6	33,20	6,00/4,8	48,36
10028B-3X3	28B-3X3	44,450	27,94	30,99	15,90	184,2	188,7	36,70	7,50/6,0	59,56
10032B-3X3	32B-3X3	50,800	29,21	30,99	17,81	183,2	188,2	42,00	7,00/6,0	58,55
10040B-3X3	40B-3X3	63,500	39,37	38,10	22,89	226,8	233,8	52,96	8,50/8,0	72,29
10048B-3X3	48B-3X3	76,200	48,26	45,72	29,24	281,6	289,4	63,80	12,00/10,0	91,21
10056B-3X3	56B-3X3	88,900	53,98	53,34	34,32	327,8	336,2	77,80	13,50/12,0	106,6
10064B-3X3	64B-3X3	101,60	63,50	60,96	39,40	369,8	378,3	90,17	15,00/13,0	119,89
10072B-3X3	72B-3X3	114,30	72,39	68,58	44,48	420,0	429,0	103,60	17,00/15,0	136,27

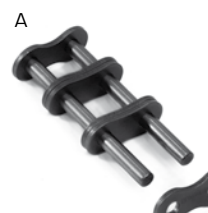
* Straight side plates





Premium
range

Ultimate tensile strength	Average tensile strength	Weight per meter	Available chain parts				
Q min	Q0	q	E	S	L	C	A
kN/lbf	kN	kg/m					
11,1/2523	13,8	0,48	X		X	X	X
24,9/5659	30,1	1,16	X		X	X	X
47,5/10795	57,8	2,03	X	X	X	X	X
66,7/15159	84,5	2,77	X	X	X	X	X
86,7/19705	101,8	3,46	X	X	X	X	X
160,0/36364	227,1	8,13	X	X	X	X	X
250,0/56818	334,3	10,82		X	X		X
425,0/96591	493,0	20,10		X	X		X
530,0/120454	609,5	24,92		X	X		X
670,0/152273	770,5	31,56		X	X		X
950,0/215909	1092,5	48,10		X	X		X
1500,0/340909	1710,0	75,00		X	X		X
2240,0/545450	2464,0	107,18		X	X		X
3000,0/681820	3300,0	136,00		X	X		X
3750,0/852270	4125,0	180,00		X	X		X



Our NEW DONGHUA X3 SERIES is within our Premium Quality product range offering 3 times better wear resistance, fatigue resistance and higher precision than our standard range. By using new hardening technologies and special anti-friction coating technology on the pin surface, the coefficient of friction between pin and bush is reduced to a minimum. Extreme wear resistance is the result. All Donghua roller chains are: Pre-loaded, Fatigue resistant, Wear resistant and Pre-lubricated. Donghua simplex, duplex and triplex roller chains are manufactured according to ISO 606 DIN8187, standard pre-loaded, pre-lubricated, do have seamless rollers and are marked with production batch code number for complete traceability. All Donghua roller chains are sealed in plastic bags and packed in cardboard boxes with clear ISO 606 DIN descriptions and safety instructions. Standard packaging size is 5 meter box, reels are available on request. Cut to length service is available on request. Several test certificates like breaking load, length tolerance and material analyses are possible and available on request. Rollers chains which are needed for 'run as pairs' applications can be matched as pairs on request. DIN, 1/2DIN and 1/3DIN length tolerance are possible, please ask us for a quotation. For high temperature, low temperature, food application or special environments different kind of special lubricants are available. Please ask our sales team for any special needs. For drive chain calculation and right dimension check, please contact our engineering department, also see drive chain calculation data sheet on page 301. By filling this data sheet and sending this to our engineering department you will receive a detailed drive chain calculation including life time expectation. Sprockets are available for all roller chains, with pilot bore, fixed bore, keyway, setscrew or bearing bore with grooves. Standard toothing, hardened toothing or special toothing are possible with pilot bore, fixed bore or taper bush. Chain tools, tensioners and chain lubricants please see page 302-310.

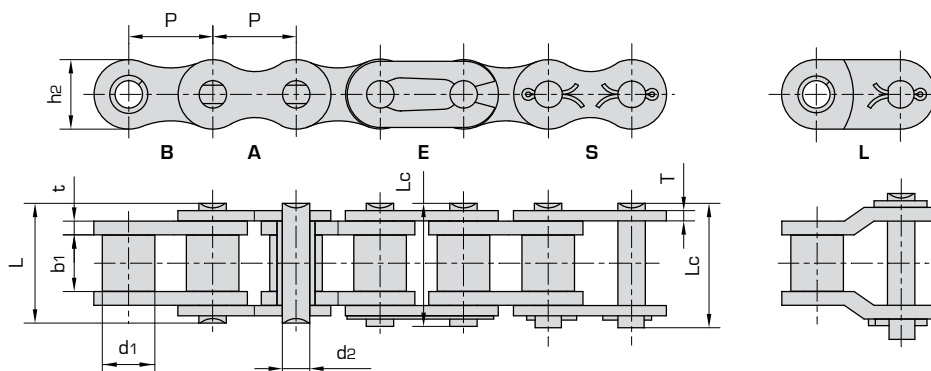
Short pitch precision roller chains (A series)

New Donghua X³ series

Simplex roller chains & bush chains

Part nr.	DIN/ISO 606 Chain no.	ANSI Chain no.	Pitch	Roller diameter	Width between inner plates	Pin diameter	Pin length		Inner plate depth	Plate thickness
			P	d1 max	b1 min	d2 max	L max	Lc max	h2 max	T max
			mm	mm	mm	mm	mm	mm	mm	mm
10025-1X3	*04C-1	*25	6,350	3,30	3,18	2,31	7,90	8,40	6,00	0,80
10035-1X3	*06C-1	*35	9,525	5,08	4,77	3,58	12,40	13,17	9,00	1,30
10041-1X3	085-1	41	12,700	7,77	6,25	3,58	13,75	15,00	9,91	1,30
10040-1X3	08A-1	40	12,700	7,95	7,85	3,96	16,60	17,80	12,00	1,50
10050-1X3	10A-1	50	15,875	10,16	9,40	5,08	20,70	22,20	15,09	2,03
10060-1X3	12A-1	60	19,050	11,91	12,57	5,94	25,90	27,70	18,00	2,42
10080-1X3	16A-1	80	25,400	15,88	15,75	7,92	32,70	35,00	24,00	3,25
100100-1X3	20A-1	100	31,750	19,05	18,90	9,53	40,40	44,70	30,00	4,00
100120-1X3	24A-1	120	38,100	22,23	25,22	11,10	50,30	54,30	35,70	4,80
100140-1X3	28A-1	140	44,450	25,40	25,22	12,70	54,40	59,00	41,00	5,60
100160-1X3	32A-1	160	50,800	28,58	31,55	14,27	64,80	69,60	47,80	6,40
100180-1X3	36A-1	180	57,150	35,71	35,48	17,46	72,80	78,60	53,60	7,20
100200-1X3	40A-1	200	63,500	39,68	37,85	19,85	80,30	87,20	60,00	8,00
100240-1X3	48A-1	240	76,200	47,63	47,35	23,81	95,50	103,00	72,39	9,50

* Bush chain: d1 in the table indicates the external diameter of the bush.





Premium range

Ultimate tensile strength	Average tensile strength	Weight per meter	Available chain parts					
Q min	Q0	q	E	S	L	C	A	B
kN/lbf	kN	kg/m						
3,50/795	5,0	0,15	X			X	X	X
7,90/1795	11,3	0,33	X		X	X	X	X
6,67/1516	12,6	0,41	X		X	X	X	X
14,10/3205	18,6	0,62	X		X	X	X	X
22,20/5045	31,3	1,02	X		X	X	X	X
31,80/7227	43,2	1,50	X		X	X	X	X
56,70/12886	74,3	2,60	X		X	X	X	X
88,50/20114	107,6	3,91		X	X		X	X
127,00/28864	163,1	5,62		X	X		X	X
172,40/39182	222,5	7,50		X	X		X	X
226,80/51545	266,9	10,10		X	X		X	X
280,20/63682	361,1	13,45		X	X		X	X
353,80/80409	466,8	16,15		X	X		X	X
510,30/115977	671,6	23,20		X	X		X	X



Our NEW DONGHUA X3 SERIES is within our Premium Quality product range offering 3 times better wear resistance, fatigue resistance and higher precision than our standard range. By using new hardening technologies and special anti-friction coating technology on the pin surface, the coefficient of friction between pin and bush is reduced to a minimum. Extreme wear resistance is the result. All Donghua roller chains are: Pre-loaded, Fatigue resistant, Wear resistant and Pre-lubricated. Donghua simplex, duplex and triplex roller chains are manufactured according to ISO 606 DIN8187, standard pre-loaded, pre-lubricated, do have seamless rollers and are marked with production batch code number for complete traceability. All Donghua roller chains are sealed in plastic bags and packed in cardboard boxes with clear ISO 606 DIN descriptions and safety instructions. Standard packaging size is 5 meter box, reels are available on request. Cut to length service is available on request. Several test certificates like breaking load, length tolerance and material analyses are possible and available on request. Rollers chains which are needed for 'run as pairs' applications can be matched as pairs on request. DIN, 1/2DIN and 1/3DIN length tolerance are possible, please ask us for a quotation. For high temperature, low temperature, food application or special environments different kind of special lubricants are available. Please ask our sales team for any special needs. For drive chain calculation and right dimension check, please contact our engineering department, also see drive chain calculation data sheet on page 301. By filling this data sheet and sending this to our engineering department you will receive a detailed drive chain calculation including life time expectation. Sprockets are available for all roller chains, with pilot bore, fixed bore, keyway, setscrew or bearing bore with grooves. Standard toothing, hardened toothing or special toothing are possible with pilot bore, fixed bore or taper bush. Chain tools, tensioners and chain lubricants please see page 302-310.

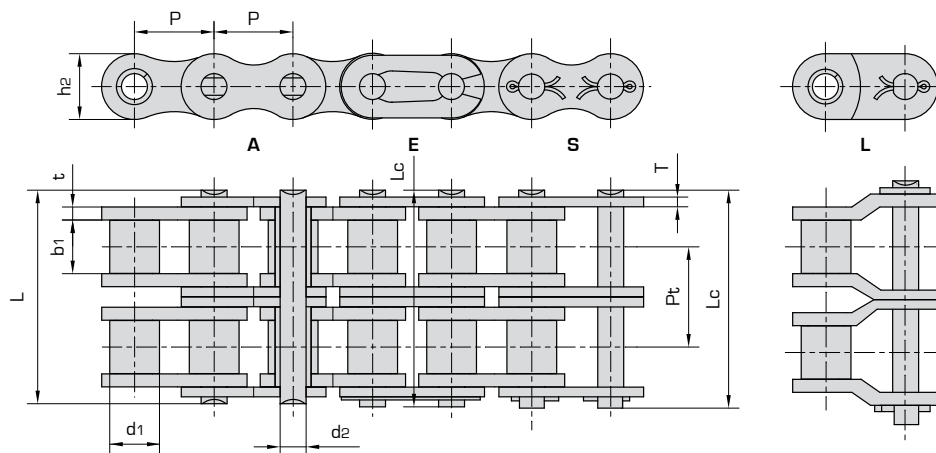
Short pitch precision roller chains (A series)

New Donghua X³ series

Duplex roller chains & bush chains

Part nr.	DIN/ISO 606 Chain no.	ANSI Chain no.	Pitch	Roller diameter	Width between inner plates	Pin diameter	Pin length		Inner plate depth	Plate thickness	Transverse pitch
			P	d1 max	b1 min	d2 max	L max	Lc max	h2 max	T max	
			mm	mm	mm	mm	mm	mm	mm	mm	mm
10025-2X3	*04C-2	*25-2	6,350	3,30	3,18	2,31	14,5	15,0	6,00	0,80	6,40
10035-2X3	*06C-2	*35-2	9,525	5,08	4,77	3,58	22,5	23,3	9,00	1,30	10,13
10041-1X3	085-2	41-2	12,700	7,77	6,25	3,58	25,7	26,9	9,91	1,30	11,95
10040-2X3	08A-2	40-2	12,700	7,95	7,85	3,96	31,0	32,2	12,00	1,50	14,38
10050-2X3	10A-2	50-2	15,875	10,16	9,40	5,08	38,9	40,4	15,09	2,03	18,11
10060-2X3	12A-2	60-2	19,050	11,91	12,57	5,94	48,8	50,5	18,00	2,42	22,78
10080-2X3	16A-2	80-2	25,400	15,88	15,75	7,92	62,7	64,3	24,00	3,25	29,29
100100-2X3	20A-2	100-2	31,750	19,05	18,90	9,53	76,4	80,5	30,00	4,00	35,76
100120-2X3	24A-2	120-2	38,100	22,23	25,22	11,10	95,8	99,7	35,70	4,80	45,44
100140-2X3	28A-2	140-2	44,450	25,40	25,22	12,70	103,3	107,9	41,00	5,60	48,87
100160-2X3	32A-2	160-2	50,800	28,58	31,55	14,27	123,3	128,1	47,80	6,40	58,55
100180-2X3	36A-2	180-2	57,150	35,71	35,48	17,46	138,6	144,4	53,60	7,20	65,84
100200-2X3	40A-2	200-2	63,500	39,68	37,85	19,85	151,9	158,8	60,00	8,00	71,55
100240-2X3	48A-2	240-2	76,200	47,63	47,35	23,81	183,4	190,8	72,39	9,50	87,83

* Bush chain: d1 in the table indicates the external diameter of the bush.





Premium
range

Ultimate tensile strength	Average tensile strength	Weight per meter	Available chain parts				
Q min	Q0	q	E	S	L	C	A
kN/lbf	kN	kg/m					
7,00/1591	10,0	0,28	X			X	X
15,80/3591	22,3	0,63	X			X	X
13,34/3032	16,9	0,81	X		X	X	X
28,20/6409	37,2	1,12	X		X	X	X
44,40/10091	62,0	2,00	X		X	X	X
63,60/14455	86,4	2,92	X		X	X	X
113,40/25773	148,6	5,15	X		X	X	X
177,00/40227	215,2	7,80		X	X		X
254,00/57727	326,2	11,70		X	X		X
344,80/78364	445,0	15,14		X	X		X
453,60/103091	533,8	20,14		X	X		X
560,50/127386	722,2	29,22		X	X		X
707,60/160818	933,6	32,24		X	X		X
1020,60/213955	1343,2	45,23		X	X		X



Our NEW DONGHUA X3 SERIES is within our Premium Quality product range offering 3 times better wear resistance, fatigue resistance and higher precision than our standard range. By using new hardening technologies and special anti-friction coating technology on the pin surface, the coefficient of friction between pin and bush is reduced to a minimum. Extreme wear resistance is the result. All Donghua roller chains are: Pre-loaded, Fatigue resistant, Wear resistant and Pre-lubricated. Donghua simplex, duplex and triplex roller chains are manufactured according to ISO 606 DIN8187, standard pre-loaded, pre-lubricated, do have seamless rollers and are marked with production batch code number for complete traceability. All Donghua roller chains are sealed in plastic bags and packed in cardboard boxes with clear ISO 606 DIN descriptions and safety instructions. Standard packaging size is 5 meter box, reels are available on request. Cut to length service is available on request. Several test certificates like breaking load, length tolerance and material analyses are possible and available on request. Rollers chains which are needed for 'run as pairs' applications can be matched as pairs on request. DIN, 1/2DIN and 1/3DIN length tolerance are possible, please ask us for a quotation. For high temperature, low temperature, food application or special environments different kind of special lubricants are available. Please ask our sales team for any special needs. For drive chain calculation and right dimension check, please contact our engineering department, also see drive chain calculation data sheet on page 301. By filling this data sheet and sending this to our engineering department you will receive a detailed drive chain calculation including life time expectation. Sprockets are available for all roller chains, with pilot bore, fixed bore, keyway, setscrew or bearing bore with grooves. Standard toothing, hardened toothing or special toothing are possible with pilot bore, fixed bore or taper bush. Chain tools, tensioners and chain lubricants please see page 302-310.

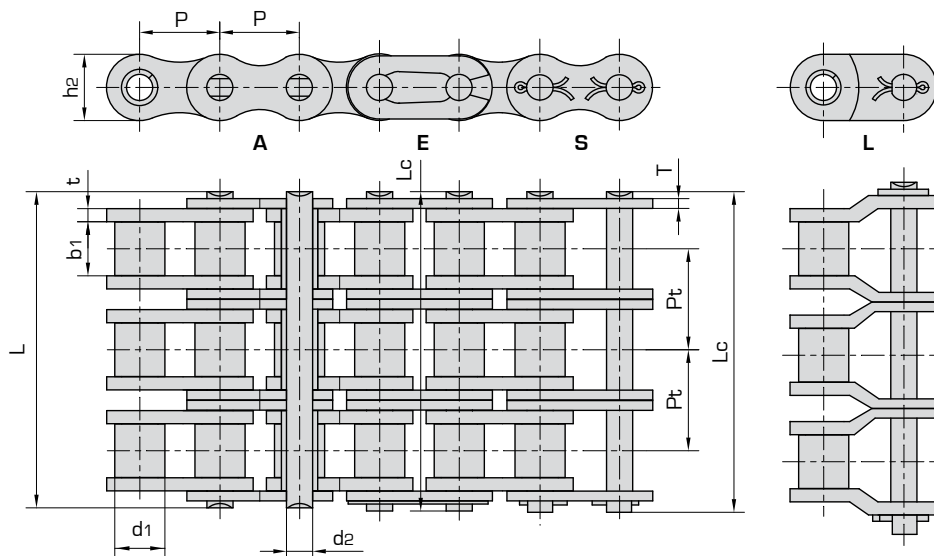
Short pitch precision roller chains (A series)

New Donghua X³ series

Triplex roller chains & bush chains

Part nr.	DIN/ISO 606 Chain no.	ANSI Chain no.	Pitch	Roller diameter	Width between inner plates	Pin diameter	Pin length		Inner plate depth	Plate thickness	Transverse pitch
							L max	Lc max			
							P	d1 max			
		mm		mm		mm		mm		mm	
10025-3X3	*04C-3	*25-3	6,350	3,30	3,18	2,31	21,0	21,5	6,00	0,80	6,40
10035-3X3	*06C-3	*35-3	9,525	5,08	4,77	3,58	32,7	33,5	9,00	1,30	10,13
10040-3X3	08A-3	40-3	12,700	7,95	7,85	3,96	45,4	46,6	12,00	1,50	14,38
10050-3X3	10A-3	50-3	15,875	10,16	9,40	5,08	57,0	58,5	15,09	2,03	18,11
10060-3X3	12A-3	60-3	19,050	11,91	12,57	5,94	71,5	73,3	18,00	2,42	22,78
10080-3X3	16A-3	80-3	25,400	15,88	15,75	7,92	91,7	93,6	24,00	3,25	29,29
100100-3X3	20A-3	100-3	31,750	19,05	18,90	9,53	112,2	116,3	30,00	4,00	35,76
100120-3X3	24A-3	120-3	38,100	22,23	25,22	11,10	141,4	145,2	35,70	4,80	45,44
100140-3X3	28A-3	140-3	44,450	25,40	25,22	12,70	152,2	156,8	41,00	5,60	48,87
100160-3X3	32A-3	160-3	50,800	28,58	31,55	14,27	181,8	186,6	47,80	6,40	58,55
100180-3X3	36A-3	180-3	57,150	35,71	35,48	17,46	204,4	210,2	53,60	7,20	65,84
100200-3X3	40A-3	200-3	63,500	39,68	37,85	19,85	223,5	230,4	60,00	8,00	71,55
100240-3X3	48A-3	240-3	76,200	47,63	47,35	23,81	271,3	278,6	72,39	9,50	87,83

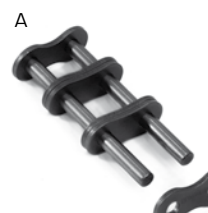
* Bush chain: d1 in the table indicates the external diameter of the bush.





Premium range

Ultimate tensile strength	Average tensile strength	Weight per meter	Available chain parts				
Q min	Q0	q	E	S	L	C	A
kN/lbf	kN	kg/m					
10,5/2386	15,0	0,44	X			X	X
23,7/5386	33,9	1,05	X			X	X
42,3/9614	55,8	1,90	X		X		X
66,6/15136	93,9	3,09	X		X		X
95,4/21682	129,6	4,54	X		X		X
170,1/38659	222,9	7,89	X		X		X
265,5/60341	322,8	11,77		X	X		X
381,0/86591	489,3	17,53		X	X		X
517,2/117545	667,5	22,20		X	X		X
680,4/154636	800,7	30,02		X	X		X
840,7/191068	1083,3	38,22		X	X		X
1061,4/241227	1400,4	49,03		X	X		X
1530,9/347932	2014,8	71,60		X	X		X



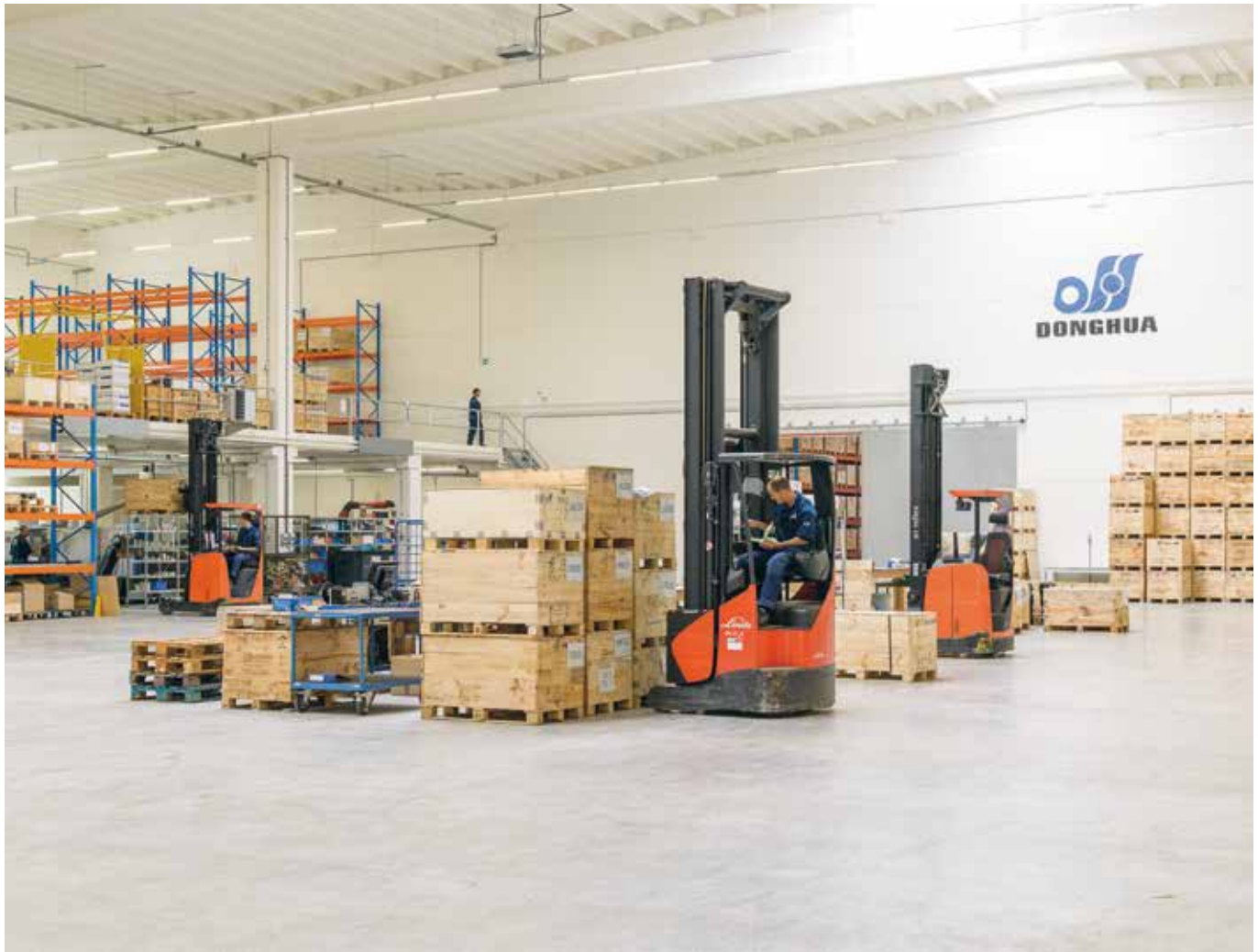
Our NEW DONGHUA X3 SERIES is within our Premium Quality product range offering 3 times better wear resistance, fatigue resistance and higher precision than our standard range. By using new hardening technologies and special anti-friction coating technology on the pin surface, the coefficient of friction between pin and bush is reduced to a minimum. Extreme wear resistance is the result. All Donghua roller chains are: Pre-loaded, Fatigue resistant, Wear resistant and Pre-lubricated. Donghua simplex, duplex and triplex roller chains are manufactured according to ISO 606 DIN8187, standard pre-loaded, pre-lubricated, do have seamless rollers and are marked with production batch code number for complete traceability. All Donghua roller chains are sealed in plastic bags and packed in cardboard boxes with clear ISO 606 DIN descriptions and safety instructions. Standard packaging size is 5 meter box, reels are available on request. Cut to length service is available on request. Several test certificates like breaking load, length tolerance and material analyses are possible and available on request. Rollers chains which are needed for 'run as pairs' applications can be matched as pairs on request. DIN, 1/2DIN and 1/3DIN length tolerance are possible, please ask us for a quotation. For high temperature, low temperature, food application or special environments different kind of special lubricants are available. Please ask our sales team for any special needs. For drive chain calculation and right dimension check, please contact our engineering department, also see drive chain calculation data sheet on page 301. By filling this data sheet and sending this to our engineering department you will receive a detailed drive chain calculation including life time expectation. Sprockets are available for all roller chains, with pilot bore, fixed bore, keyway, setscrew or bearing bore with grooves. Standard toothing, hardened toothing or special toothing are possible with pilot bore, fixed bore or taper bush. Chain tools, tensioners and chain lubricants please see page 302-310.

Solution

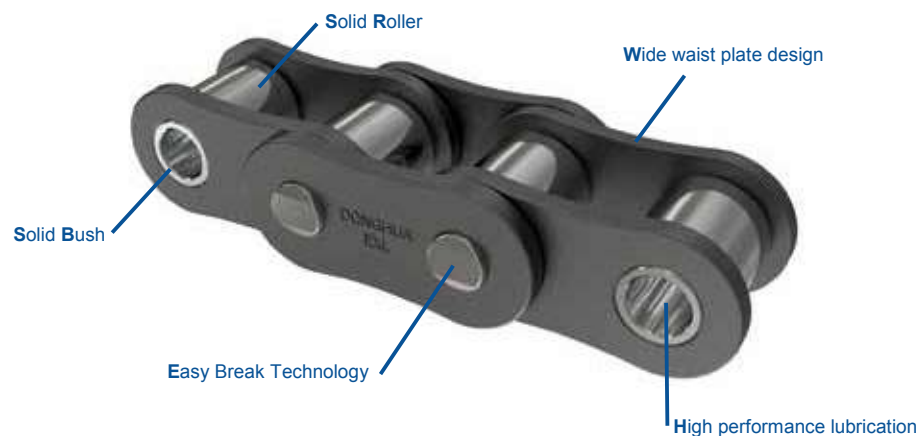
range

SLR	ZP	ATT	H
SS	NP	OR	HV/SP
SS+	ZT	1.3	HSP
EXL	ZT+	CP	UHSP





Donghua EXL Program



EXL® Specification:

- Chains according to ISO 606 (DIN 8187/8188) in size range from 06B to 32B and ANSI 35 to 160 inch pitch.
- Available from stock in 5 m packaging incl. connecting link.
- Solid Bush and Solid Roller design, seamless cold forged bushing and roller provide full contact between pin, bushing and roller.
- Optimal cylindrical for ideal sliding contacts will improve chain service life.
- Wide waist plate geometry for higher fatigue strength.
- EXL chains are easy to disassemble through built-in Donghua EasyBreak Technology.
- High length accuracy.
- Excellent press fit between pin, bush and plates. Controlling plate hole quality by ball drifting.
- Hardened and shot-peened plates are standardized for extra strength.
- Pre-loaded with 40-50% from breaking load.
- Pre-lubricated with high performance synthetic lubricant to meet high workload requirements.
- Batch code number for track and tracing.

Donghua EXL® chains are designed, manufactured and tested to meet the highest specifications for unbeatable accuracy and performance.

Short pitch precision roller chains EXL (B series)

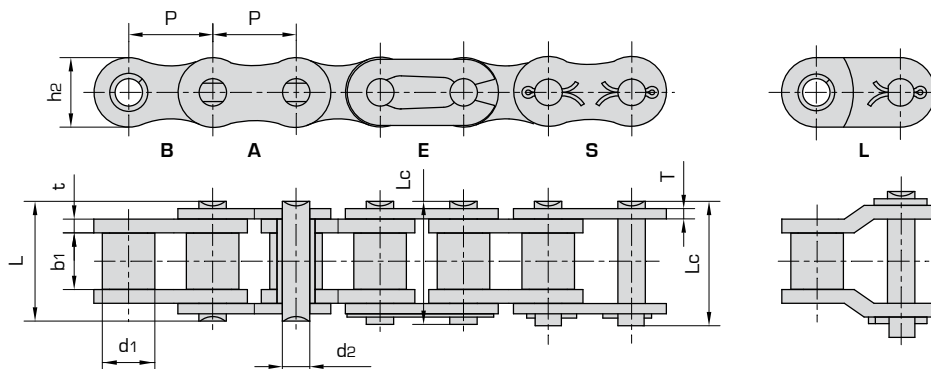
EXL

Simplex roller chains

Part nr.	DIN/ISO 606 Chain no.	Pitch	Roller diameter	Width between inner plates	Pin diameter	Pin length		Inner plate depth	Plate thickness
		P	d1 max	b1 min	d2 max	L max	Lc max	h2 max	T max
		mm	mm	mm	mm	mm	mm	mm	mm
13004B-1	04B-1 EXL	6,000	4,00	2,80	1,85	6,80	7,8	5,00	0,60
13005B-1	05B-1 EXL	8,000	5,00	3,00	2,31	8,20	8,9	7,10	0,80
13006B-1	*06B-1 EXL	9,525	6,35	5,72	3,28	13,15	14,1	8,20	1,30
13008B-1	08B-1 EXL	12,700	8,51	7,75	4,45	16,70	18,2	11,80	1,60
13010B-1	10B-1 EXL	15,875	10,16	9,65	5,08	19,50	20,9	14,70	1,70
13012B-1	12B-1 EXL	19,050	12,07	11,68	5,72	22,50	24,2	16,00	1,85
13016B-1	16B-1 EXL	25,400	15,88	17,02	8,28	36,10	37,4	21,00	4,15/3,1
13020B-1	20B-1 EXL	31,750	19,05	19,56	10,19	41,30	45,0	26,40	4,50/3,5
10024B-1	24B-1 *	38,100	25,40	25,40	14,63	53,40	57,8	33,20	6,00/4,8
10028B-1	28B-1 *	44,450	27,94	30,99	15,90	65,10	69,5	36,70	7,50/6,0
10032B-1	32B-1 *	50,800	29,21	30,99	17,81	66,00	71,0	42,00	7,00/6,0
10040B-1	40B-1 *	63,500	39,37	38,10	22,89	82,20	89,2	52,96	8,50/8,0
10048B-1	48B-1 *	76,200	48,26	45,72	29,24	99,10	107,0	63,80	12,00/10,0
10056B-1	56B-1 *	88,900	53,98	53,34	34,32	114,6	123,0	77,80	13,50/12,0
10064B-1	64B-1 *	101,600	63,50	60,96	39,40	130,0	138,5	90,17	15,00/13,0
10072B-1	72B-1 *	114,300	72,39	68,58	44,48	147,4	156,4	103,60	17,00/15,0

* Straight side plates

* From 24B and up EXL is Donghua standard



Ultimate tensile strength	Average tensile strength	Weight per meter	Available chain parts						
Q min	Q0	q	E	S	L	C	A	B	
kN/lbf	kN	kg/m							
3,0/682	3,2	0,11	X		X	X	X	X	
5,0/1136	5,9	0,20	X		X	X	X	X	
9,0/2045	10,4	0,41	X		X	X	X	X	
18,0/4091	19,4	0,69	X	X	X	X	X	X	
22,4/5091	27,5	0,93	X	X	X	X	X	X	
29,0/6591	32,2	1,15	X	X	X	X	X	X	
60,0/13636	77,1	2,71	X	X	X	X	X	X	
95,0/21591	112,8	3,70	X	X	X		X	X	
160,0/36364	178,0	7,10		X	X		X	X	
200,0/45455	236,4	8,50		X	X		X	X	
250,0/56818	277,5	10,25		X	X		X	X	
355,0/80682	394,0	16,35		X	X		X	X	
560,0/127272	621,6	25,00		X	X		X	X	
850,0/193180	940,0	35,78		X	X		X	X	
1120,0/254544	1240,0	46,00		X	X		X	X	
1400,0/318180	1550,0	60,80		X	X		X	X	



Our NEW DONGHUA EXL SERIES is within our product Solution Quality range offering better wear resistance, better fatigue resistance and higher precision than our standard range. The superior quality, durability and outstanding wear and fatigue resistance are realized by the new wide waist design of the plates, solid bushes and solid rollers and special highly sophisticated long lasting lubricant. EXL easy dis- & reassembly through built-in Donghua's Easy Break Technology. All Donghua roller chains are: Pre-loaded, Fatigue resistant, Wear resistant and Pre-lubricated. Donghua simplex, duplex and triplex roller chains are manufactured according to ISO 606 DIN8187, standard pre-loaded, pre-lubricated, do have seamless rollers and are marked with production batch code number for complete traceability. All Donghua roller chains are sealed in plastic bags and packed in cardboard boxes with clear ISO 606 DIN descriptions and safety instructions. Standard packaging size is 5 meter box, reels are available on request. Cut to length service is available on request. Several test certificates like breaking load, length tolerance and material analyses are possible and available on request. Rollers chains which are needed for 'run as pairs' applications can be matched as pairs on request. DIN, 1/2DIN and 1/3DIN length tolerance are possible, please ask us for a quotation. For high temperature, low temperature, food application or special environments different kind of special lubricants are available. Please ask our sales team for any special needs. For drive chain calculation and right dimension check, please contact our engineering department, also see drive chain calculation data sheet on page 301. By filling this data sheet and sending this to our engineering department you will receive a detailed drive chain calculation including life time expectation. Sprockets are available for all roller chains, with pilot bore, fixed bore, keyway, setscrew or bearing bore with grooves. Standard toothing, hardened toothing or special toothing are possible with pilot bore, fixed bore or taper bush. Chain tools, tensioners and chain lubricants please see page 302-310.

Short pitch precision roller chains EXL (B series)

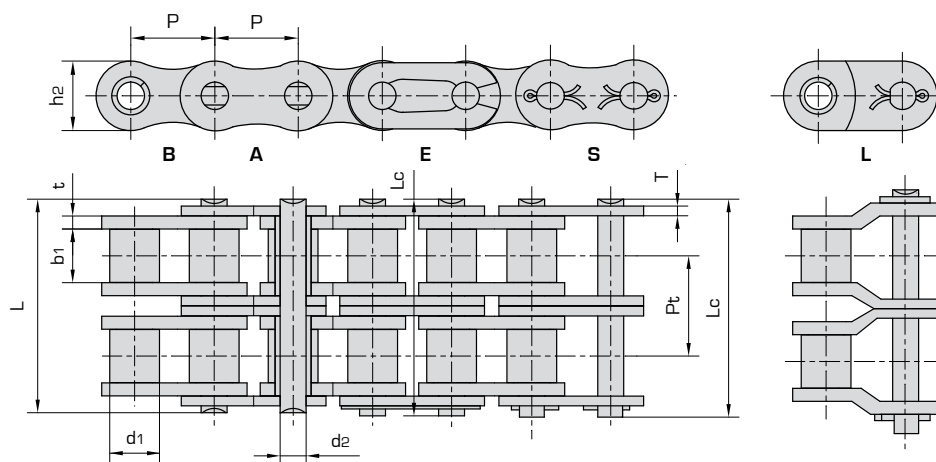
EXL

Duplex roller chains

Part nr.	DIN/ISO 606 Chain no.	Pitch	Roller diameter	Width between inner plates	Pin diameter	Pin length	Inner plate depth	Plate thickness	Transverse pitch	
		P	d1 max	b1 min	d2 max	L max	Lc max	h2 max	T max	Pt
		mm	mm	mm	mm	mm	mm	mm	mm	mm
13004B-2	04B-2 EXL	6,000	4,00	2,80	1,85	13,2	14,2	5,00	0,60	5,50
13005B-2	05B-2 EXL	8,000	5,00	3,00	2,31	13,9	14,5	7,10	0,80	5,64
13006B-2	*06B-2 EXL	9,525	6,35	5,72	3,28	23,4	24,4	8,20	1,30	10,24
13008B-2	08B-2 EXL	12,700	8,51	7,75	4,45	31,0	32,2	11,80	1,60	13,92
13010B-2	10B-2 EXL	15,875	10,16	9,65	5,08	36,1	37,5	14,70	1,70	16,59
13012B-2	12B-2 EXL	19,050	12,07	11,68	5,72	42,0	43,6	16,00	1,85	19,46
13016B-2	16B-2 EXL	25,400	15,88	17,02	8,28	68,0	69,3	21,00	4,15/3,1	31,88
13020B-2	20B-2 EXL	31,750	19,05	19,56	10,19	77,8	81,5	26,40	4,50/3,5	36,45
10024B-2	24B-2*	38,100	25,40	25,40	14,63	101,7	106,2	33,20	6,00/4,8	48,36
10028B-2	28B-2*	44,450	27,94	30,99	15,90	124,6	129,1	36,70	7,50/6,0	59,56
10032B-2	32B-2*	50,800	29,21	30,99	17,81	124,6	129,6	42,00	7,00/6,0	58,55
10040B-2	40B-2*	63,500	39,37	38,10	22,89	154,5	161,5	52,96	8,50/8,0	72,29
10048B-2	48B-2*	76,200	48,26	45,72	29,24	190,4	198,2	63,80	12,00/10,0	91,21
10056B-2	56B-2*	88,900	53,98	53,34	34,32	221,2	229,6	77,80	13,50/12,0	106,60
10064B-2	64B-2*	101,600	63,50	60,96	39,40	249,9	258,4	90,17	15,00/13,0	119,89
10072B-2	72B-2*	114,300	72,39	68,58	44,48	283,7	292,7	103,60	17,00/15,0	136,27

* Straight side plates

* From 24B and up SBSR is Donghua standard



Ultimate tensile strength	Average tensile strength	Weight per meter	Available chain parts				
Q min	Q0	q	E	S	L	C	A
kN/lbf	kN	kg/m					
5,0/1124	6,1	0,23	X		X	X	X
7,8/1773	10,2	0,33	X		X	X	X
16,9/3841	18,7	0,77	X		X	X	X
32,0/7273	38,7	1,34	X	X	X	X	X
44,5/10114	56,2	1,84	X	X	X	X	X
57,8/13136	66,1	2,31	X	X	X	X	X
106,0/24091	152,0	5,42	X	X	X	X	X
170,0/38636	229	7,20		X	X		X
280,0/63636	319,2	13,40		X	X		X
360,0/81818	406,8	16,60		X	X		X
450,0/102273	508,5	21,00		X	X		X
630,0/143182	711,9	32,00		X	X		X
1000,0/227272	1130,0	50,00		X	X		X
1600,0/363635	1760,0	71,48		X	X		X
2000,0/454544	2200,0	91,00		X	X		X
2500,0/568180	2750,0	120,40		X	X		X



Our NEW DONGHUA EXL SERIES is within our product Solution Quality range offering better wear resistance, better fatigue resistance and higher precision than our standard range. The superior quality, durability and outstanding wear and fatigue resistance are realized by the new wide waist design of the plates, solid bushes and solid rollers and special highly sophisticated long lasting lubricant. EXL easy dis- & reassembly through built-in Donghua's Easy Break Technology. All Donghua roller chains are: Pre-loaded, Fatigue resistant, Wear resistant and Pre-lubricated. Donghua simplex, duplex and triplex roller chains are manufactured according to ISO 606 DIN8187, standard pre-loaded, pre-lubricated, do have seamless rollers and are marked with production batch code number for complete traceability. All Donghua roller chains are sealed in plastic bags and packed in cardboard boxes with clear ISO 606 DIN descriptions and safety instructions. Standard packaging size is 5 meter box, reels are available on request. Cut to length service is available on request. Several test certificates like breaking load, length tolerance and material analyses are possible and available on request. Rollers chains which are needed for 'run as pairs' applications can be matched as pairs on request. DIN, 1/2DIN and 1/3DIN length tolerance are possible, please ask us for a quotation. For high temperature, low temperature, food application or special environments different kind of special lubricants are available. Please ask our sales team for any special needs. For drive chain calculation and right dimension check, please contact our engineering department, also see drive chain calculation data sheet on page 301. By filling this data sheet and sending this to our engineering department you will receive a detailed drive chain calculation including life time expectation. Sprockets are available for all roller chains, with pilot bore, fixed bore, keyway, setscrew or bearing bore with grooves. Standard toothing, hardened toothing or special toothing are possible with pilot bore, fixed bore or taper bush. Chain tools, tensioners and chain lubricants please see page 302-310.

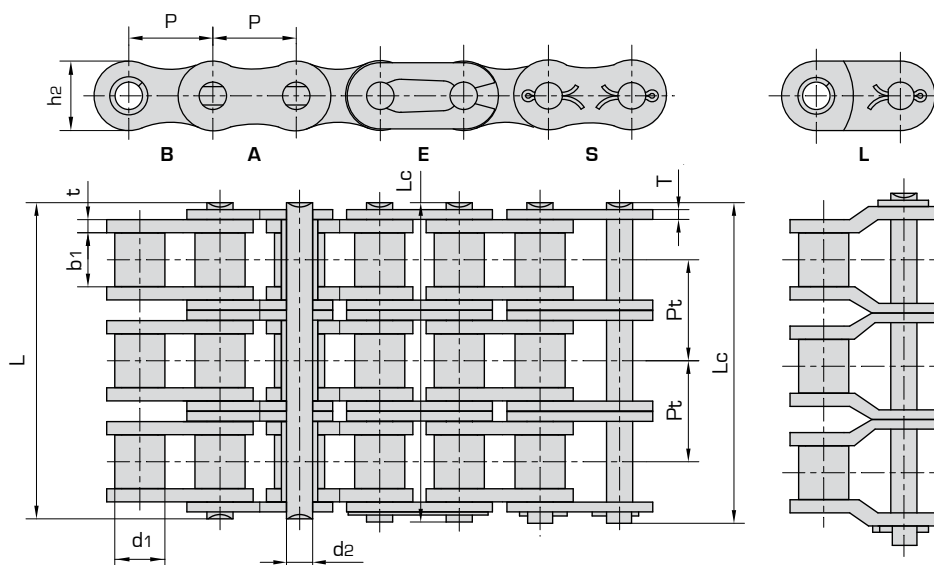
Short pitch precision roller chains EXL (B series)

Triplex roller chains

Part nr.	DIN/ISO 606 Chain no.	Pitch	Roller diameter	Width between inner plates	Pin diameter	Pin length	Inner plate depth	Plate thickness	Transverse pitch	
		P	d1 max	b1 min	d2 max	L max	Lc max	h2 max	T max	Pt
		mm	mm	mm	mm	mm	mm	mm	mm	mm
13005B-3	05B-3 EXL	8,000	5,00	3,00	2,31	19,5	20,2	7,10	0,80	5,64
13006B-3	*06B-3 EXL	9,525	6,35	5,72	3,28	33,5	34,6	8,20	1,30	10,24
13008B-3	08B-3 EXL	12,700	8,51	7,75	4,45	45,1	46,1	11,80	1,60	13,92
13010B-3	10B-3 EXL	15,875	10,16	9,65	5,08	52,7	54,1	14,70	1,70	16,59
13012B-3	12B-3 EXL	19,050	12,07	11,68	5,72	61,5	63,1	16,00	1,85	19,46
13016B-3	16B-3 EXL	25,400	15,88	17,02	8,28	99,8	101,2	21,00	4,15/3,1	31,88
13020B-3	20B-3 EXL	31,750	19,05	19,56	10,19	114,2	117,9	26,40	4,50/3,5	36,45
10024B-3	24B-3*	38,100	25,40	25,40	14,63	150,1	154,6	33,20	6,00/4,8	48,36
10028B-3	28B-3*	44,450	27,94	30,99	15,90	184,2	188,7	36,70	7,50/6,0	59,56
10032B-3	32B-3*	50,800	29,21	30,99	17,81	183,2	188,2	42,00	7,00/6,0	58,55
10040B-3	40B-3*	63,500	39,37	38,10	22,89	226,8	233,8	52,96	8,50/8,0	72,29
10048B-3	48B-3*	76,200	48,26	45,72	29,24	281,6	289,4	63,80	12,00/10,0	91,21
10056B-3	56B-3*	88,900	53,98	53,34	34,32	327,8	336,2	77,80	13,50/12,0	106,6
10064B-3	64B-3*	101,600	63,50	60,96	39,40	369,8	378,3	90,17	15,00/13,0	119,89
10072B-3	72B-3*	114,300	72,39	68,58	44,48	420,0	429,0	103,60	17,00/15,0	136,27

* Straight side plates

* From 24B and up SBSR is Donghua standard



Ultimate tensile strength	Average tensile strength	Weight per meter	Available chain parts				
Q min	Q0	q	E	S	L	C	A
kN/lbf	kN	kg/m					
11,1/2523	13,8	0,48	X		X	X	X
24,9/5659	30,1	1,16	X		X	X	X
47,5/10795	57,8	2,03	X	X	X	X	X
66,7/15159	84,5	2,77	X	X	X	X	X
86,7/19705	101,8	3,46	X	X	X	X	X
160,0/36364	227,1	8,13	X	X	X	X	X
250,0/56818	334,3	10,82		X	X		X
425,0/96591	493,0	20,10		X	X		X
530,0/120454	609,5	24,92		X	X		X
670,0/152273	770,5	31,56		X	X		X
950,0/215909	1092,5	48,10		X	X		X
1500,0/340909	1710,0	75,00		X	X		X
2240,0/545450	2464,0	107,18		X	X		X
3000,0/681820	3300,0	136,00		X	X		X
3750,0/852270	4125,0	180,00		X	X		X



Our NEW DONGHUA EXL SERIES is within our product Solution Quality range offering better wear resistance, better fatigue resistance and higher precision than our standard range. The superior quality, durability and outstanding wear and fatigue resistance are realized by the new wide waist design of the plates, solid bushes and solid rollers and special highly sophisticated long lasting lubricant. EXL easy dis- & reassembly through built-in Donghua's Easy Break Technology. All Donghua roller chains are: Pre-loaded, Fatigue resistant, Wear resistant and Pre-lubricated. Donghua simplex, duplex and triplex roller chains are manufactured according to ISO 606 DIN8187, standard pre-loaded, pre-lubricated, do have seamless rollers and are marked with production batch code number for complete traceability. All Donghua roller chains are sealed in plastic bags and packed in cardboard boxes with clear ISO 606 DIN descriptions and safety instructions. Standard packaging size is 5 meter box, reels are available on request. Cut to length service is available on request. Several test certificates like breaking load, length tolerance and material analyses are possible and available on request. Rollers chains which are needed for 'run as pairs' applications can be matched as pairs on request. DIN, 1/2DIN and 1/3DIN length tolerance are possible, please ask us for a quotation. For high temperature, low temperature, food application or special environments different kind of special lubricants are available. Please ask our sales team for any special needs. For drive chain calculation and right dimension check, please contact our engineering department, also see drive chain calculation data sheet on page 301. By filling this data sheet and sending this to our engineering department you will receive a detailed drive chain calculation including life time expectation. Sprockets are available for all roller chains, with pilot bore, fixed bore, keyway, setscrew or bearing bore with grooves. Standard toothing, hardened toothing or special toothing are possible with pilot bore, fixed bore or taper bush. Chain tools, tensioners and chain lubricants please see page 302-310.

Short pitch precision roller chains EXL (A series)

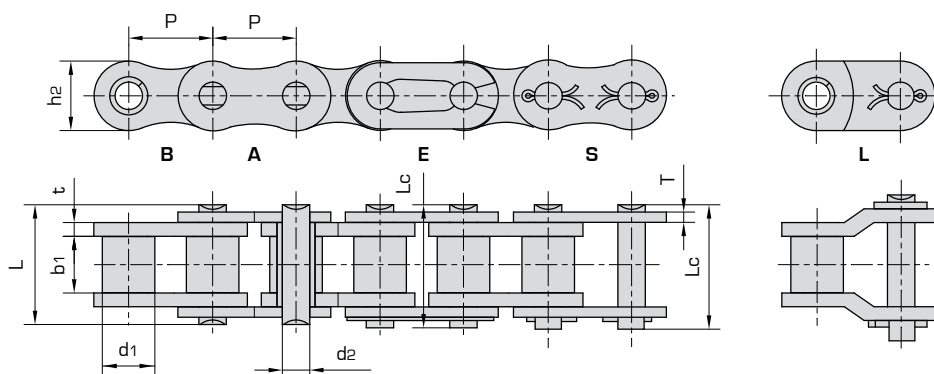
EXL

Simplex roller chains & bush chains

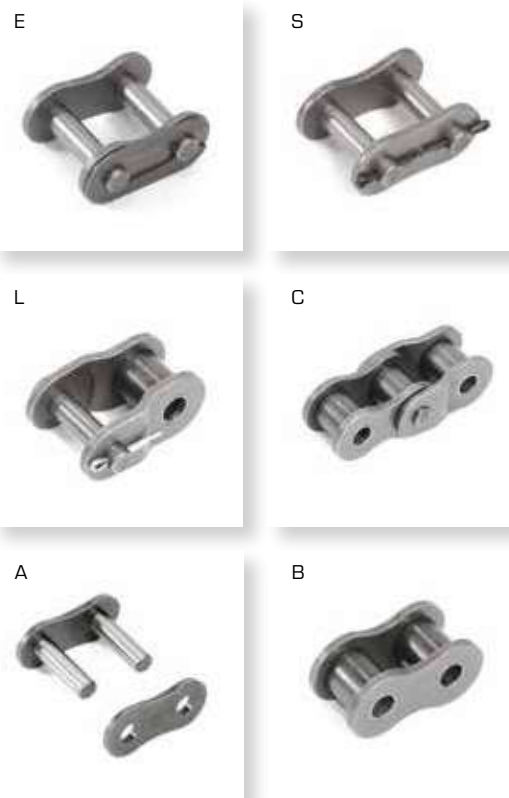
Part nr.	DIN/ISO 606 Chain no.	ANSI Chain no.	Pitch	Roller diameter	Width between inner plates	Pin diameter	Pin length		Inner plate depth	Plate thickness
				d1 max	b1 min	d2 max	L max	Lc max	h2 max	T max
				mm	mm	mm	mm	mm	mm	mm
13025-1	*04C-1 EXL	*25	6,350	3,30	3,18	2,31	7,90	8,40	6,00	0,80
13035-1	*06C-1 EXL	*35	9,525	5,08	4,77	3,58	12,40	13,17	9,00	1,30
13040-1	08A-1 EXL	40	12,700	7,95	7,85	3,96	16,60	17,80	12,00	1,50
13050-1	10A-1 EXL	50	15,875	10,16	9,40	5,08	20,70	22,20	15,09	2,03
13060-1	12A-1 EXL	60	19,050	11,91	12,57	5,94	25,90	27,70	18,00	2,42
13080-1	16A-1 EXL	80	25,400	15,88	15,75	7,92	32,70	35,00	24,00	3,25
130100-1	20A-1 EXL	100	31,750	19,05	18,90	9,53	40,40	44,70	30,00	4,00
100120-1*	24A-1	120	38,100	22,23	25,22	11,10	50,30	54,30	35,70	4,80
100140-1*	28A-1	140	44,450	25,40	25,22	12,70	54,40	59,00	41,00	5,60
100160-1*	32A-1	160	50,800	28,58	31,55	14,27	64,80	69,60	47,80	6,40
100180-1*	36A-1	180	57,150	35,71	35,48	17,46	72,80	78,60	53,60	7,20
100200-1*	40A-1	200	63,500	39,68	37,85	19,85	80,30	87,20	60,00	8,00
100240-1*	48A-1	240	76,200	47,63	47,35	23,81	95,50	103,00	72,39	9,50

* Bush chain: d1 in the table indicates the external diameter of the bush.

* From 24A and up EXL is Donghua standard



Ultimate tensile strength	Average tensile strength	Weight per meter	Available chain parts					
Q min	Q0	q	E	S	L	C	A	B
kN/lbf	kN	kg/m						
3,50/795	5,0	0,15	X			X	X	X
7,90/1795	11,3	0,33	X		X	X	X	X
14,10/3205	18,6	0,62	X		X	X	X	X
22,20/5045	31,3	1,02	X		X	X	X	X
31,80/7227	43,2	1,50	X		X	X	X	X
56,70/12886	74,3	2,60	X		X	X	X	X
88,50/20114	107,6	3,91		X	X		X	X
127,00/28864	163,1	5,62		X	X		X	X
172,40/39182	222,5	7,50		X	X		X	X
226,80/51545	266,9	10,10		X	X		X	X
280,20/63682	361,1	13,45		X	X		X	X
353,80/80409	466,8	16,15		X	X		X	X
510,30/115977	671,6	23,20		X	X		X	X



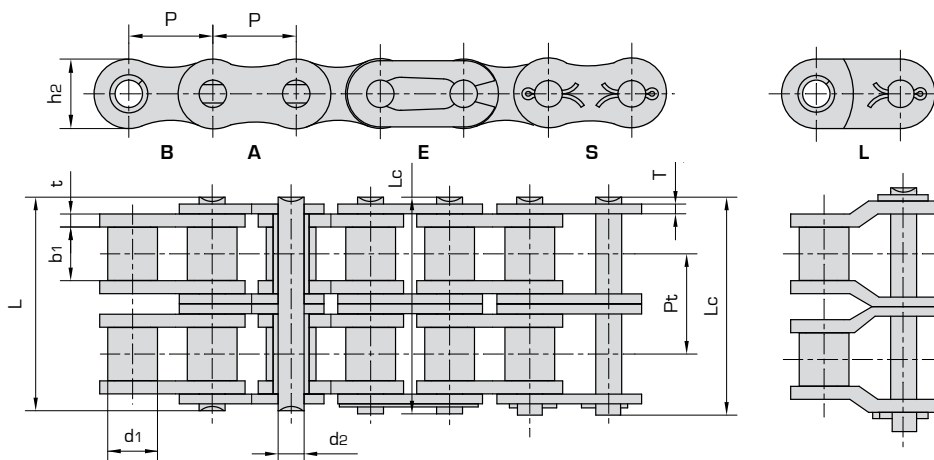
Our NEW DONGHUA EXL SERIES is within our product Solution Quality range offering better wear resistance, better fatigue resistance and higher precision than our standard range. The superior quality, durability and outstanding wear and fatigue resistance are realized by the new wide waist design of the plates, solid bushes and solid rollers and special highly sophisticated long lasting lubricant. EXL easy dis- & reassembly through built-in Donghua's Easy Break Technology. All Donghua roller chains are: Pre-loaded, Fatigue resistant, Wear resistant and Pre-lubricated. Donghua simplex, duplex and triplex roller chains are manufactured according to ISO 606 DIN8187, standard pre-loaded, pre-lubricated, do have seamless rollers and are marked with production batch code number for complete traceability. All Donghua roller chains are sealed in plastic bags and packed in cardboard boxes with clear ISO 606 DIN descriptions and safety instructions. Standard packaging size is 5 meter box, reels are available on request. Cut to length service is available on request. Several test certificates like breaking load, length tolerance and material analyses are possible and available on request. Rollers chains which are needed for 'run as pairs' applications can be matched as pairs on request. DIN, 1/2DIN and 1/3DIN length tolerance are possible, please ask us for a quotation. For high temperature, low temperature, food application or special environments different kind of special lubricants are available. Please ask our sales team for any special needs. For drive chain calculation and right dimension check, please contact our engineering department, also see drive chain calculation data sheet on page 301. By filling this data sheet and sending this to our engineering department you will receive a detailed drive chain calculation including life time expectation. Sprockets are available for all roller chains, with pilot bore, fixed bore, keyway, setscrew or bearing bore with grooves. Standard toothing, hardened toothing or special toothing are possible with pilot bore, fixed bore or taper bush. Chain tools, tensioners and chain lubricants please see page 302-310.

Short pitch precision roller chains EXL (A series)

Duplex roller chains & bush chains

Part nr.	DIN/ISO 606 Chain no.	ANSI Chain no.	Pitch	Roller diameter	Width between inner plates	Pin diameter	Pin length		Inner plate depth	Plate thickness	Transverse pitch
							L max	Lc max			
							P	d1 max			
		mm		mm		mm		mm		mm	
13025-2	*04C-2 EXL	*25-2	6,350	3,30	3,18	2,31	14,5	15,0	6,00	0,80	6,40
13035-2	*06C-2 EXL	*35-2	9,525	5,08	4,77	3,58	22,5	23,3	9,00	1,30	10,13
13040-2	08A-2 EXL	40-2	12,700	7,95	7,85	3,96	31,0	32,2	12,00	1,50	14,38
13050-2	10A-2 EXL	50-2	15,875	10,16	9,40	5,08	38,9	40,4	15,09	2,03	18,11
13060-2	12A-2 EXL	60-2	19,050	11,91	12,57	5,94	48,8	50,5	18,00	2,42	22,78
13080-2	16A-2 EXL	80-2	25,400	15,88	15,75	7,92	62,7	64,3	24,00	3,25	29,29
130100-2	20A-2 EXL	100-2	31,750	19,05	18,90	9,53	76,4	80,5	30,00	4,00	35,76
100120-2*	24A-2	120-2	38,100	22,23	25,22	11,10	95,8	99,7	35,70	4,80	45,44
100140-2*	28A-2	140-2	44,450	25,40	25,22	12,70	103,3	107,9	41,00	5,60	48,87
100160-2*	32A-2	160-2	50,800	28,58	31,55	14,27	123,3	128,1	47,80	6,40	58,55
100180-2*	36A-2	180-2	57,150	35,71	35,48	17,46	138,6	144,4	53,60	7,20	65,84
100200-2*	40A-2	200-2	63,500	39,68	37,85	19,85	151,9	158,8	60,00	8,00	71,55
100240-2*	48A-2	240-2	76,200	47,63	47,35	23,81	183,4	190,8	72,39	9,50	87,83

* Bush chain: d1 in the table indicates the external diameter of the bush.



Ultimate tensile strength	Average tensile strength	Weight per meter	Available chain parts				
			E	S	L	C	A
Q min	Q0	q					
kN/lbf	kN	kg/m					
7,00/1591	10,0	0,28	X			X	X
15,80/3591	22,3	0,63	X			X	X
28,20/6409	37,2	1,12	X		X	X	X
44,40/10091	62,6	2,00	X		X	X	X
63,60/14455	86,4	2,92	X		X	X	X
113,40/25773	148,6	5,15	X		X	X	X
177,00/40227	215,2	7,80		X	X		X
254,00/57727	326,2	11,70		X	X		X
344,80/78364	445,0	15,14		X	X		X
453,60/103091	533,8	20,14		X	X		X
560,50/127386	722,2	29,22		X	X		X
707,60/160818	933,6	32,24		X	X		X
1020,60/213955	1343,2	45,23		X	X		X



Our NEW DONGHUA EXL SERIES is within our product Solution Quality range offering better wear resistance, better fatigue resistance and higher precision than our standard range. The superior quality, durability and outstanding wear and fatigue resistance are realized by the new wide waist design of the plates, solid bushes and solid rollers and special highly sophisticated long lasting lubricant. EXL easy dis- & reassembly through built-in Donghua's Easy Break Technology. All Donghua roller chains are: Pre-loaded, Fatigue resistant, Wear resistant and Pre-lubricated. Donghua simplex, duplex and triplex roller chains are manufactured according to ISO 606 DIN8187, standard pre-loaded, pre-lubricated, do have seamless rollers and are marked with production batch code number for complete traceability. All Donghua roller chains are sealed in plastic bags and packed in cardboard boxes with clear ISO 606 DIN descriptions and safety instructions. Standard packaging size is 5 meter box, reels are available on request. Cut to length service is available on request. Several test certificates like breaking load, length tolerance and material analyses are possible and available on request. Rollers chains which are needed for 'run as pairs' applications can be matched as pairs on request. DIN, 1/2DIN and 1/3DIN length tolerance are possible, please ask us for a quotation. For high temperature, low temperature, food application or special environments different kind of special lubricants are available. Please ask our sales team for any special needs. For drive chain calculation and right dimension check, please contact our engineering department, also see drive chain calculation data sheet on page 301. By filling this data sheet and sending this to our engineering department you will receive a detailed drive chain calculation including life time expectation. Sprockets are available for all roller chains, with pilot bore, fixed bore, keyway, setscrew or bearing bore with grooves. Standard toothing, hardened toothing or special toothing are possible with pilot bore, fixed bore or taper bush. Chain tools, tensioners and chain lubricants please see page 302-310.

Short pitch precision roller chains EXL (A series)

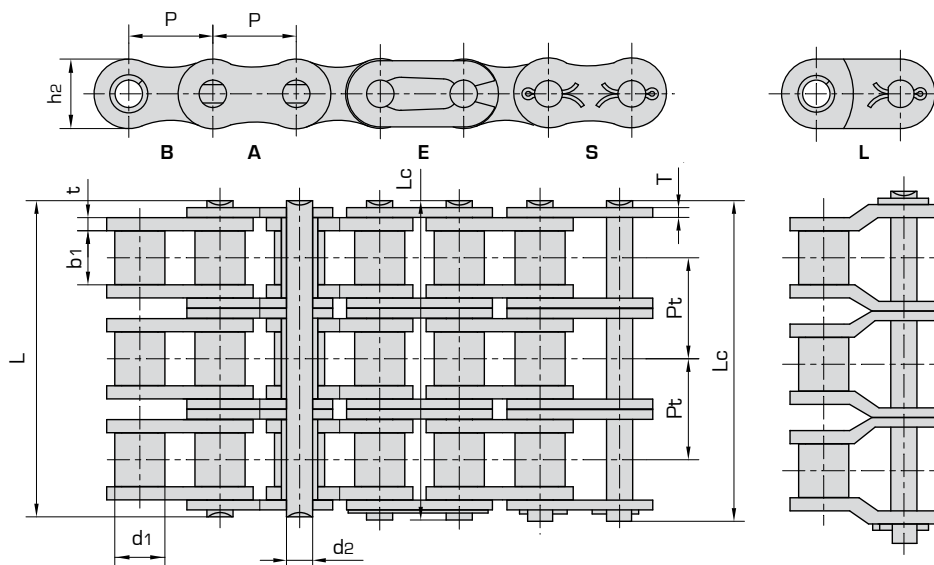
EXL

Triplex roller chains & bush chains

Part nr.	DIN/ISO 606 Chain no.	ANSI Chain no.	Pitch	Roller diameter	Width between inner plates	Pin diameter	Pin length		Inner plate depth	Plate thickness	Transverse pitch
				d1 max	b1 min	d2 max	L max	Lc max	h2 max	T max	
				mm	mm	mm	mm	mm	mm	mm	
13025-3	*04C-3 EXL	*25-3	6,350	3,30	3,18	2,31	21,0	21,5	6,00	0,80	6,40
13035-3	*06C-3 EXL	*35-3	9,525	5,08	4,77	3,58	32,7	33,5	9,00	1,30	10,13
13040-3	08A-3 EXL	40-3	12,700	7,95	7,85	3,96	45,4	46,6	12,00	1,50	14,38
13050-3	10A-3 EXL	50-3	15,875	10,16	9,40	5,08	57,0	58,5	15,09	2,03	18,11
13060-3	12A-3 EXL	60-3	19,050	11,91	12,57	5,94	71,5	73,3	18,00	2,42	22,78
13080-3	16A-3 EXL	80-3	25,400	15,88	15,75	7,92	91,7	93,6	24,00	3,25	29,29
130100-3	20A-3 EXL	100-3	31,750	19,05	18,90	9,53	112,2	116,3	30,00	4,00	35,76
100120-3*	24A-3	120-3	38,100	22,23	25,22	11,10	141,4	145,2	35,70	4,80	45,44
100140-3*	28A-3	140-3	44,450	25,40	25,22	12,70	152,2	156,8	41,00	5,60	48,87
100160-3*	32A-3	160-3	50,800	28,58	31,55	14,27	181,8	186,6	47,80	6,40	58,55
100180-3*	36A-3	180-3	57,150	35,71	35,48	17,46	204,4	210,2	53,60	7,20	65,84
100200-3*	40A-3	200-3	63,500	39,68	37,85	19,85	223,5	230,4	60,00	8,00	71,55
100240-3*	48A-3	240-3	76,200	47,63	47,35	23,81	271,3	278,6	72,39	9,50	87,83

* Bush chain: d1 in the table indicates the external diameter of the bush.

* From 24A and up SBSR is Donghua standard.



Ultimate tensile strength	Average tensile strength	Weight per meter	Available chain parts				
Q min	Q0	q	E	S	L	C	A
kN/lbf	kN	kg/m					
10,5/2386	15,0	0,44	X			X	X
23,7/5386	33,9	1,05	X			X	X
42,3/9614	55,8	1,90	X		X		X
66,6/15136	93,9	3,09	X		X		X
95,4/21682	129,6	4,54	X		X		X
170,1/38659	222,9	7,89	X		X		X
265,5/60341	322,8	11,77		X	X		X
381,0/86591	489,3	17,53		X	X		X
517,2/117545	667,5	22,20		X	X		X
680,4/154636	800,7	30,02		X	X		X
840,7/191068	1083,3	38,22		X	X		X
1061,4/241227	1400,4	49,03		X	X		X
1530,9/347932	2014,8	71,60		X	X		X



Premium range



Our NEW DONGHUA EXL SERIES is within our product Solution Quality range offering better wear resistance, better fatigue resistance and higher precision than our standard range. The superior quality, durability and outstanding wear and fatigue resistance are realized by the new wide waist design of the plates, solid bushes and solid rollers and special highly sophisticated long lasting lubricant. EXL easy dis- & reassembly through built-in Donghua's Easy Break Technology. All Donghua roller chains are: Pre-loaded, Fatigue resistant, Wear resistant and Pre-lubricated. Donghua simplex, duplex and triplex roller chains are manufactured according to ISO 606 DIN8187, standard pre-loaded, pre-lubricated, do have seamless rollers and are marked with production batch code number for complete traceability. All Donghua roller chains are sealed in plastic bags and packed in cardboard boxes with clear ISO 606 DIN descriptions and safety instructions. Standard packaging size is 5 meter box, reels are available on request. Cut to length service is available on request. Several test certificates like breaking load, length tolerance and material analyses are possible and available on request. Rollers chains which are needed for 'run as pairs' applications can be matched as pairs on request. DIN, 1/2DIN and 1/3DIN length tolerance are possible, please ask us for a quotation. For high temperature, low temperature, food application or special environments different kind of special lubricants are available. Please ask our sales team for any special needs. For drive chain calculation and right dimension check, please contact our engineering department, also see drive chain calculation data sheet on page 301. By filling this data sheet and sending this to our engineering department you will receive a detailed drive chain calculation including life time expectation. Sprockets are available for all roller chains, with pilot bore, fixed bore, keyway, setscrew or bearing bore with grooves. Standard toothing, hardened toothing or special toothing are possible with pilot bore, fixed bore or taper bush. Chain tools, tensioners and chain lubricants please see page 302-310.

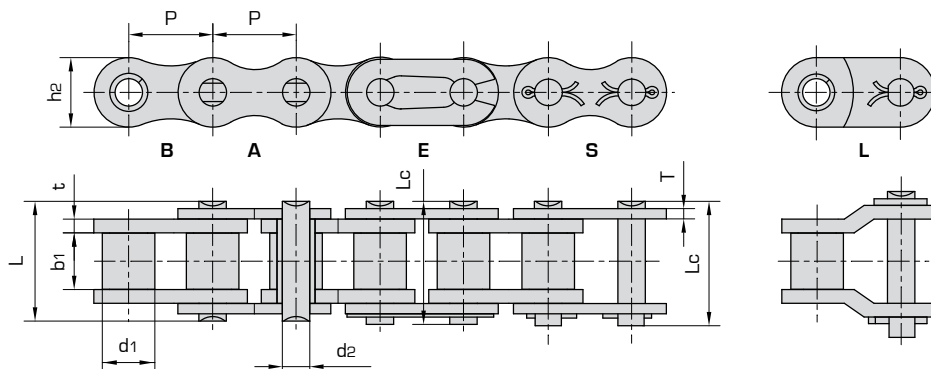
Short pitch precision roller chains (B series)

CP Hard Chromized Pins

Simplex roller chains

Part nr.	DIN/ISO 606 Chain no.	Pitch	Roller diameter	Width between inner plates	Pin diameter	Pin length		Inner plate depth	Plate thickness
		P	d1 max	b1 min	d2 max	L max	Lc max	h2 max	T max
		mm	mm	mm	mm	mm	mm	mm	mm
10004B-1CP	04B-1CP	6,000	4,00	2,80	1,85	6,80	7,8	5,00	0,60
10005B-1CP	05B-1CP	8,000	5,00	3,00	2,31	8,20	8,9	7,10	0,80
10006B-1CP	*06B-1CP	9,525	6,35	5,72	3,28	13,15	14,1	8,20	1,30
10008B-1CP	08B-1CP	12,700	8,51	7,75	4,45	16,70	18,2	11,80	1,60
10010B-1CP	10B-1CP	15,875	10,16	9,65	5,08	19,50	20,9	14,70	1,70
10012B-1CP	12B-1CP	19,050	12,07	11,68	5,72	22,50	24,2	16,00	1,85
10016B-1CP	16B-1CP	25,400	15,88	17,02	8,28	36,10	37,4	21,00	4,15/3,1
10020B-1CP	20B-1CP	31,750	19,05	19,56	10,19	41,30	45,0	26,40	4,50/3,5
10024B-1CP	24B-1CP	38,100	25,40	25,40	14,63	53,40	57,8	33,20	6,00/4,8
10028B-1CP	28B-1CP	44,450	27,94	30,99	15,90	65,10	69,5	36,70	7,50/6,0
10032B-1CP	32B-1CP	50,800	29,21	30,99	17,81	66,00	71,0	42,00	7,00/6,0
10040B-1CP	40B-1CP	63,500	39,37	38,10	22,89	82,20	89,2	52,96	8,50/8,0
10048B-1CP	48B-1CP	76,200	48,26	45,72	29,24	99,10	107,0	63,80	12,00/10,0
10056B-1CP	56B-1CP	88,900	53,98	53,34	34,32	114,60	123,0	77,80	13,50/12,0
10064B-1CP	64B-1CP	101,600	63,50	60,96	39,40	130,00	138,5	90,17	15,00/13,0
10072B-1CP	72B-1CP	114,300	72,39	68,58	44,48	147,40	156,4	103,60	17,00/15,0

* Straight side plates



Ultimate tensile strength	Average tensile strength	Weight per meter	Available chain parts						
Q min	Q0	q							
kN/lbf	kN	kg/m	E	S	L	C	A	B	
3,0/682	3,2	0,11	X		X	X	X	X	
5,0/1136	5,9	0,20	X		X	X	X	X	
9,0/2045	10,4	0,41	X		X	X	X	X	
18,0/4091	19,4	0,69	X	X	X	X	X	X	
22,4/5091	27,5	0,93	X	X	X	X	X	X	
29,0/6591	32,2	1,15	X	X	X	X	X	X	
60,0/13636	77,1	2,71	X	X	X	X	X	X	
95,0/21591	112,8	3,70	X	X	X		X	X	
160,0/36364	178,0	7,10		X	X		X	X	
200,0/45455	236,4	8,50		X	X		X	X	
250,0/56818	277,5	10,25		X	X		X	X	
355,0/80682	394,0	16,35		X	X		X	X	
560,0/127272	621,6	25,00		X	X		X	X	
850,0/193180	940,0	35,78		X	X		X	X	
1120,0/254544	1240,0	46,00		X	X		X	X	
1400,0/318180	1550,0	60,80		X	X		X	X	



Donghua CP roller chains are built with hard chromized pins. The surface hardness is more than 1100 HV10 offering a +30% higher wear resistance than standard case hardened pins. Donghua CP roller chain are used for tough environments, high speed, high frequency of movement in the bearing area resisting wear much better than case hardened pins. In combination with highly sophisticated lubricant this technology brings a unique performance in wear resistance. All Donghua roller chains are: Pre-loaded, Fatigue resistant, Wear resistant and Pre-lubricated. Donghua simplex, duplex and triplex roller chains are manufactured according to ISO 606 DIN8187, standard pre-loaded, pre-lubricated, do have seamless rollers and are marked with production batch code number for complete traceability. All Donghua roller chains are sealed in plastic bags and packed in cardboard boxes with clear ISO 606 DIN descriptions and safety instructions. Standard packaging size is 5 meter box, reels are available on request. Cut to length service is available on request. Several test certificates like breaking load, length tolerance and material analyses are possible and available on request. Rollers chains which are needed for 'run as pairs' applications can be matched as pairs on request. DIN, 1/2DIN and 1/3DIN length tolerance are possible, please ask us for a quotation. For high temperature, low temperature, food application or special environments different kind of special lubricants are available. Please ask our sales team for any special needs. For drive chain calculation and right dimension check, please contact our engineering department, also see drive chain calculation data sheet on page 301. By filling this data sheet and sending this to our engineering department you will receive a detailed drive chain calculation including life time expectation. Sprockets are available for all roller chains, with pilot bore, fixed bore, keyway, setscrew or bearing bore with grooves. Standard toothing, hardened toothing or special toothing are possible with pilot bore, fixed bore or taper bush. Chain tools, tensioners and chain lubricants please see page 302-310.

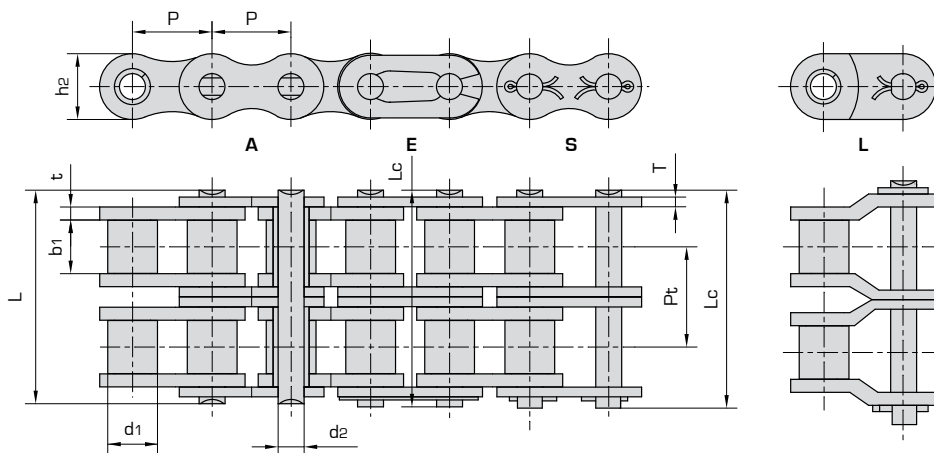
Short pitch precision roller chains (B series)

CP Hard Chromized Pins

Duplex roller chains

Part nr.	DIN/ISO 606 Chain no.	Pitch	Roller diameter	Width between inner plates	Pin diameter	Pin length	Inner plate depth	Plate thickness	Transverse pitch	
		P	d1 max	b1 min	d2 max	L max	Lc max	h2 max	T max	Pt
		mm	mm	mm	mm	mm	mm	mm	mm	mm
10004B-2CP	04B-2CP	6,000	4,00	2,80	1,85	13,2	14,2	5,00	0,60	5,50
10005B-2CP	05B-2CP	8,000	5,00	3,00	2,31	13,9	14,5	7,10	0,80	5,64
10006B-2CP	*06B-2CP	9,525	6,35	5,72	3,28	23,4	24,4	8,20	1,30	10,24
10008B-2CP	08B-2CP	12,700	8,51	7,75	4,45	31,0	32,2	11,80	1,60	13,92
10010B-2CP	10B-2CP	15,875	10,16	9,65	5,08	36,1	37,5	14,70	1,70	16,59
10012B-2CP	12B-2CP	19,050	12,07	11,68	5,72	42,0	43,6	16,00	1,85	19,46
10016B-2CP	16B-2CP	25,400	15,88	17,02	8,28	68,0	69,3	21,00	4,15/3,1	31,88
10020B-2CP	20B-2CP	31,750	19,05	19,56	10,19	77,8	81,5	26,40	4,50/3,5	36,45
10024B-2CP	24B-2CP	38,100	25,40	25,40	14,63	101,7	106,2	33,20	6,00/4,8	48,36
10028B-2CP	28B-2CP	44,450	27,94	30,99	15,90	124,6	129,1	36,70	7,50/6,0	59,56
10032B-2CP	32B-2CP	50,800	29,21	30,99	17,81	124,6	129,6	42,00	7,00/6,0	58,55
10040B-2CP	40B-2CP	63,500	39,37	38,10	22,89	154,5	161,5	52,96	8,50/8,0	72,29
10048B-2CP	48B-2CP	76,200	48,26	45,72	29,24	190,4	198,2	63,80	12,00/10,0	91,21
10056B-2CP	56B-2CP	88,900	53,98	53,34	34,32	221,2	229,6	77,80	13,50/12,0	106,60
10064B-2CP	64B-2CP	101,600	63,50	60,96	39,40	249,9	258,4	90,17	15,00/13,0	119,89
10072B-2CP	72B-2CP	114,300	72,39	68,58	44,48	283,7	292,7	103,60	17,00/15,0	136,27

* Straight side plates



Ultimate tensile strength	Average tensile strength	Weight per meter	Available chain parts				
Q min	Q0	q	E	S	L	C	A
kN/lbf	kN	kg/m					
5,0/1124	6,10	0,23	X		X	X	X
7,8/1773	10,2	0,33	X		X	X	X
16,9/3841	18,7	0,77	X		X	X	X
32,0/7273	38,7	1,34	X	X	X	X	X
44,5/10114	56,2	1,84	X	X	X	X	X
57,8/13136	66,1	2,31	X	X	X	X	X
106,0/24091	152,0	5,42	X	X	X	X	X
170,0/38636	229	7,20		X	X		X
280,0/63636	319,2	13,40		X	X		X
360,0/81818	406,8	16,60		X	X		X
450,0/102273	508,5	21,00		X	X		X
630,0/143182	711,9	32,00		X	X		X
1000,0/227272	1130,0	50,00		X	X		X
1600,0/363635	1760,0	71,48		X	X		X
2000,0/454544	2200,0	91,00		X	X		X
2500,0/568180	2750,0	120,40		X	X		X

E



S



L



C



A



Donghua CP roller chains are built with hard chromized pins. The surface hardness is more than 1100 HV10 offering a +30% higher wear resistance than standard case hardened pins. Donghua CP roller chain are used for tough environments, high speed, high frequency of movement in the bearing area resisting wear much better than case hardened pins. In combination with highly sophisticated lubricant this technology brings a unique performance in wear resistance. All Donghua roller chains are: Pre-loaded, Fatigue resistant, Wear resistant and Pre-lubricated. Donghua simplex, duplex and triplex roller chains are manufactured according to ISO 606 DIN8187, standard pre-loaded, pre-lubricated, do have seamless rollers and are marked with production batch code number for complete traceability. All Donghua roller chains are sealed in plastic bags and packed in cardboard boxes with clear ISO 606 DIN descriptions and safety instructions. Standard packaging size is 5 meter box, reels are available on request. Cut to length service is available on request. Several test certificates like breaking load, length tolerance and material analyses are possible and available on request. Rollers chains which are needed for 'run as pairs' applications can be matched as pairs on request. DIN, 1/2DIN and 1/3DIN length tolerance are possible, please ask us for a quotation. For high temperature, low temperature, food application or special environments different kind of special lubricants are available. Please ask our sales team for any special needs. For drive chain calculation and right dimension check, please contact our engineering department, also see drive chain calculation data sheet on page 301. By filling this data sheet and sending this to our engineering department you will receive a detailed drive chain calculation including life time expectation. Sprockets are available for all roller chains, with pilot bore, fixed bore, keyway, setscrew or bearing bore with grooves. Standard toothing, hardened toothing or special toothing are possible with pilot bore, fixed bore or taper bush. Chain tools, tensioners and chain lubricants please see page 302-310.

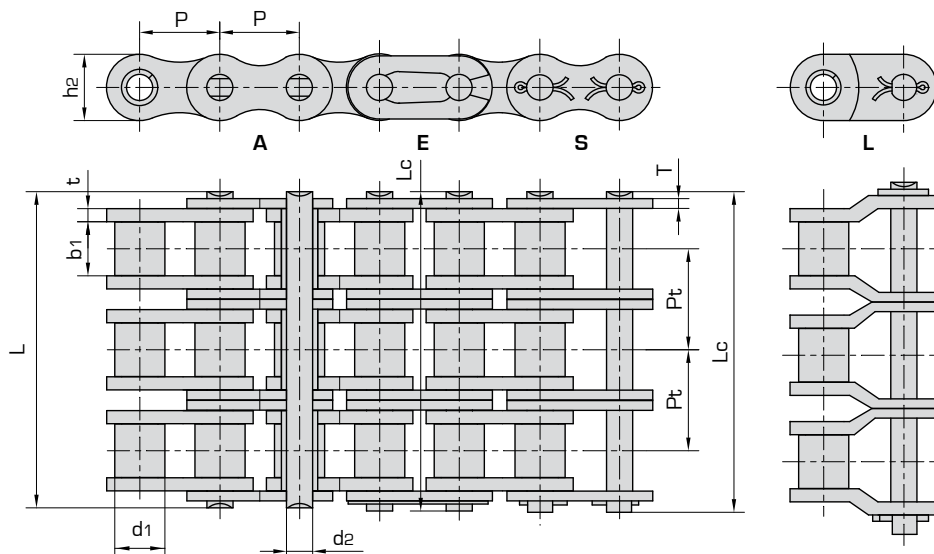
Short pitch precision roller chains (B series)

CP Hard Chromized Pins

Triplex roller chains

Part nr.	DIN/ISO 606 Chain no.	Pitch	Roller diameter	Width between inner plates	Pin diameter	Pin length		Inner plate depth	Plate thickness	Transverse pitch
		P	d1 max	b1 min	d2 max	L max	Lc max	h2 max	T max	Pt
		mm	mm	mm	mm	mm	mm	mm	mm	mm
10005B-3CP	05B-3CP	8,000	5,00	3,00	2,31	19,5	20,2	7,10	0,80	5,64
10006B-3CP	*06B-3CP	9,525	6,35	5,72	3,28	33,5	34,6	8,20	1,30	10,24
10008B-3CP	08B-3CP	12,700	8,51	7,75	4,45	45,1	46,1	11,80	1,60	13,92
10010B-3CP	10B-3CP	15,875	10,16	9,65	5,08	52,7	54,1	14,70	1,70	16,59
10012B-3CP	12B-3CP	19,050	12,07	11,68	5,72	61,5	63,1	16,00	1,85	19,46
10016B-3CP	16B-3CP	25,400	15,88	17,02	8,28	99,8	101,2	21,00	4,15/3,1	31,88
10020B-3CP	20B-3CP	31,750	19,05	19,56	10,19	114,2	117,9	26,40	4,50/3,5	36,45
10024B-3CP	24B-3CP	38,100	25,40	25,40	14,63	150,1	154,6	33,20	6,00/4,8	48,36
10028B-3CP	28B-3CP	44,450	27,94	30,99	15,90	184,2	188,7	36,70	7,50/6,0	59,56
10032B-3CP	32B-3CP	50,800	29,21	30,99	17,81	183,2	188,2	42,00	7,00/6,0	58,55
10040B-3CP	40B-3CP	63,500	39,37	38,10	22,89	226,8	233,8	52,96	8,50/8,0	72,29
10048B-3CP	48B-3CP	76,200	48,26	45,72	29,24	281,6	289,4	63,80	12,00/10,0	91,21
10056B-3CP	56B-3CP	88,900	53,98	53,34	34,32	327,8	336,2	77,80	13,50/12,0	106,6
10064B-3CP	64B-3CP	101,600	63,50	60,96	39,40	369,8	378,3	90,17	15,00/13,0	119,89
10072B-3CP	72B-3CP	114,300	72,39	68,58	44,48	420,0	429,0	103,60	17,00/15,0	136,27

* Straight side plates



Ultimate tensile strength	Average tensile strength	Weight per meter	Available chain parts				
Q min	Q0	q	E	S	L	C	A
kN/lbf	kN	kg/m					
11,1/2523	13,8	0,48	X		X	X	X
24,9/5659	30,1	1,16	X		X	X	X
47,5/10795	57,8	2,03	X	X	X	X	X
66,7/15159	84,5	2,77	X	X	X	X	X
86,7/19705	101,8	3,46	X	X	X	X	X
160,0/36364	227,1	8,13	X	X	X	X	X
250,0/56818	334,3	10,82		X	X		X
425,0/96591	493,0	20,10		X	X		X
530,0/120454	609,5	24,92		X	X		X
670,0/152273	770,5	31,56		X	X		X
950,0/215909	1092,5	48,10		X	X		X
1500,0/340909	1710,0	75,00		X	X		X
2240,0/545450	2464,0	107,18		X	X		X
3000,0/681820	3300,0	136,00		X	X		X
3750,0/852270	4125,0	180,00		X	X		X



Donghua CP roller chains are built with hard chromized pins. The surface hardness is more than 1100 HV10 offering a +30% higher wear resistance than standard case hardened pins. Donghua CP roller chain are used for tough environments, high speed, high frequency of movement in the bearing area resisting wear much better than case hardened pins. In combination with highly sophisticated lubricant this technology brings a unique performance in wear resistance. All Donghua roller chains are: Pre-loaded, Fatigue resistant, Wear resistant and Pre-lubricated. Donghua simplex, duplex and triplex roller chains are manufactured according to ISO 606 DIN8187, standard pre-loaded, pre-lubricated, do have seamless rollers and are marked with production batch code number for complete traceability. All Donghua roller chains are sealed in plastic bags and packed in cardboard boxes with clear ISO 606 DIN descriptions and safety instructions. Standard packaging size is 5 meter box, reels are available on request. Cut to length service is available on request. Several test certificates like breaking load, length tolerance and material analyses are possible and available on request. Rollers chains which are needed for 'run as pairs' applications can be matched as pairs on request. DIN, 1/2DIN and 1/3DIN length tolerance are possible, please ask us for a quotation. For high temperature, low temperature, food application or special environments different kind of special lubricants are available. Please ask our sales team for any special needs. For drive chain calculation and right dimension check, please contact our engineering department, also see drive chain calculation data sheet on page 301. By filling this data sheet and sending this to our engineering department you will receive a detailed drive chain calculation including life time expectation. Sprockets are available for all roller chains, with pilot bore, fixed bore, keyway, setscrew or bearing bore with grooves. Standard toothing, hardened toothing or special toothing are possible with pilot bore, fixed bore or taper bush. Chain tools, tensioners and chain lubricants please see page 302-310.

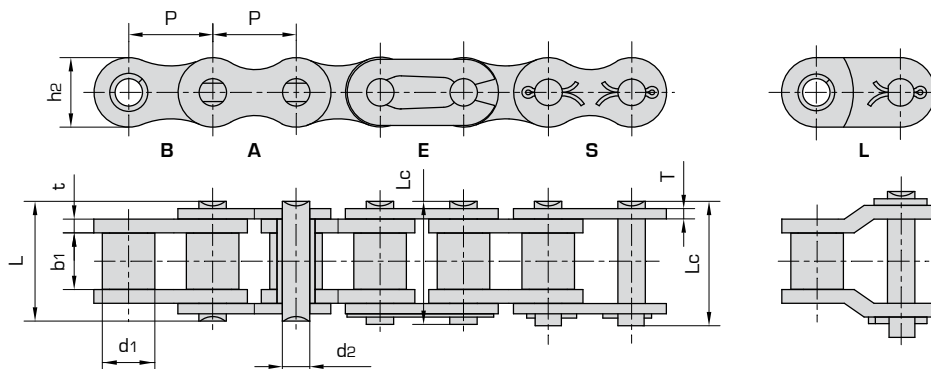
Short pitch precision roller chains (A series)

CP Hard Chromized Pins

Simplex roller chains & bush chains

Part nr.	DIN/ISO 606 Chain no.	ANSI Chain no.	Pitch	Roller diameter	Width between inner plates	Pin diameter	Pin length		Inner plate depth	Plate thickness
				d1 max	b1 min	d2 max	L max	Lc max	h2 max	T max
				mm	mm	mm	mm	mm	mm	mm
10025-1CP	*04C-1	*25	6,3500	3,30	3,18	2,31	7,90	8,40	6,00	0,80
10035-1CP	*06C-1	*35	9,525	5,08	4,77	3,58	12,40	13,17	9,00	1,30
10041-1CP	085-1	41	12,700	7,77	6,25	3,58	13,75	15,00	9,91	1,30
10040-1CP	08A-1	40	12,700	7,95	7,85	3,96	16,60	17,80	12,00	1,50
10050-1CP	10A-1	50	15,875	10,16	9,40	5,08	20,70	22,20	15,09	2,03
10060-1CP	12A-1	60	19,050	11,91	12,57	5,94	25,90	27,70	18,00	2,42
10080-1CP	16A-1	80	25,400	15,88	15,75	7,92	32,70	35,00	24,00	3,25
100100-1CP	20A-1	100	31,750	19,05	18,90	9,53	40,40	44,70	30,00	4,00
100120-1CP	24A-1	120	38,100	22,23	25,22	11,10	50,30	54,30	35,70	4,80
100140-1CP	28A-1	140	44,450	25,40	25,22	12,70	54,40	59,00	41,00	5,60
100160-1CP	32A-1	160	50,800	28,58	31,55	14,27	64,80	69,60	47,80	6,40
100180-1CP	36A-1	180	57,150	35,71	35,48	17,46	72,80	78,60	53,60	7,20
100200-1CP	40A-1	200	63,500	39,68	37,85	19,85	80,30	87,20	60,00	8,00
100240-1CP	48A-1	240	76,200	47,63	47,35	23,81	95,50	103,00	72,39	9,50

* Bush chain: d1 in the table indicates the external diameter of the bush.



Ultimate tensile strength	Average tensile strength	Weight per meter	Available chain parts					
Q min	Q0	q	E	S	L	C	A	B
kN/lbf	kN	kg/m						
3,50/795	5,0	0,15	X			X	X	X
7,90/1795	11,3	0,33	X		X	X	X	X
6,67/1516	18,6	0,41	X		X	X	X	X
14,10/3205	31,3	0,62	X		X	X	X	X
22,20/5045	43,2	1,02	X		X	X	X	X
31,80/7227	74,3	1,50	X		X	X	X	X
56,70/12886	107,6	2,60	X		X	X	X	X
88,50/20114	163,1	3,91		X	X		X	X
127,00/28864	222,5	5,62		X	X		X	X
172,40/39182	266,9	7,50		X	X		X	X
226,80/51545	361,1	10,10		X	X		X	X
280,20/63682	466,8	13,45		X	X		X	X
353,80/80409	671,6	16,15		X	X		X	X
510,30/115977	622,5	23,20		X	X		X	X

E



S



L



C



A



B



Donghua CP roller chains are built with hard chromized pins. The surface hardness is more than 1100 HV10 offering a +30% higher wear resistance than standard case hardened pins. Donghua CP roller chain are used for tough environments, high speed, high frequency of movement in the bearing area resisting wear much better than case hardened pins. In combination with highly sophisticated lubricant this technology brings a unique performance in wear resistance. All Donghua roller chains are: Pre-loaded, Fatigue resistant, Wear resistant and Pre-lubricated. Donghua simplex, duplex and triplex roller chains are manufactured according to ISO 606 DIN8187, standard pre-loaded, pre-lubricated, do have seamless rollers and are marked with production batch code number for complete traceability. All Donghua roller chains are sealed in plastic bags and packed in cardboard boxes with clear ISO 606 DIN descriptions and safety instructions. Standard packaging size is 5 meter box, reels are available on request. Cut to length service is available on request. Several test certificates like breaking load, length tolerance and material analyses are possible and available on request. Rollers chains which are needed for 'run as pairs' applications can be matched as pairs on request. DIN, 1/2DIN and 1/3DIN length tolerance are possible, please ask us for a quotation. For high temperature, low temperature, food application or special environments different kind of special lubricants are available. Please ask our sales team for any special needs. For drive chain calculation and right dimension check, please contact our engineering department, also see drive chain calculation data sheet on page 301. By filling this data sheet and sending this to our engineering department you will receive a detailed drive chain calculation including life time expectation. Sprockets are available for all roller chains, with pilot bore, fixed bore, keyway, setscrew or bearing bore with grooves. Standard toothing, hardened toothing or special toothing are possible with pilot bore, fixed bore or taper bush. Chain tools, tensioners and chain lubricants please see page 302-310.

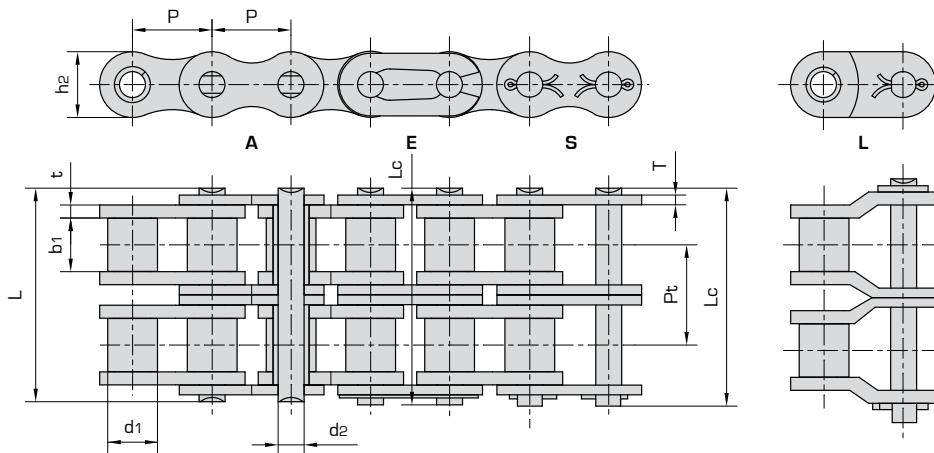
Short pitch precision roller chains (A series)

CP Hard Chromized Pins

Duplex roller chains & bush chains

Part nr.	DIN/ISO 606 Chain no.	ANSI Chain no.	Pitch	Roller diameter		Pin diameter		Pin length		Inner plate depth	Plate thickness	Transverse pitch
				b1 min	d1 max	d2 max	Lc max	L max				
				mm	mm	mm	mm	mm	mm			
10025-2CP	*04C-2	*25-2	6,350	3,30	3,18	2,31	14,5	15,0	6,00	0,80	6,40	
10035-2CP	*06C-2	*35-2	9,525	5,08	4,77	3,58	22,5	23,3	9,00	1,30	10,13	
10041-2CP	085-2	41-2	12,700	7,77	6,25	3,58	25,7	26,9	9,91	1,30	11,95	
10040-2CP	08A-2	40-2	12,700	7,95	7,85	3,96	31,0	32,2	12,00	1,50	14,38	
10050-2CP	10A-2	50-2	15,875	10,16	9,40	5,08	38,9	40,4	15,09	2,03	18,11	
10060-2CP	12A-2	60-2	19,050	11,91	12,57	5,94	48,8	50,5	18,00	2,42	22,78	
10080-2CP	16A-2	80-2	25,400	15,88	15,75	7,92	62,7	64,3	24,00	3,25	29,29	
100100-2CP	20A-2	100-2	31,750	19,05	18,90	9,53	76,4	80,5	30,00	4,00	35,76	
100120-2CP	24A-2	120-2	38,100	22,23	25,22	11,10	95,8	99,7	35,70	4,80	45,44	
100140-2CP	28A-2	140-2	44,450	25,40	25,22	12,70	103,3	107,9	41,00	5,60	48,87	
100160-2CP	32A-2	160-2	50,800	28,58	31,55	14,27	123,3	128,1	47,80	6,40	58,55	
100180-2CP	36A-2	180-2	57,150	35,71	35,48	17,46	138,6	144,4	53,60	7,20	65,84	
100200-2CP	40A-2	200-2	63,500	39,68	37,85	19,85	151,9	158,8	60,00	8,00	71,55	
100240-2CP	48A-2	240-2	76,200	47,63	47,35	23,81	183,4	190,8	72,39	9,50	87,83	

* Bush chain: d1 in the table indicates the external diameter of the bush.



Ultimate tensile strength	Average tensile strength	Weight per meter	Available chain parts				
Q min	Q0	q	E	S	L	C	A
kN/lbf	kN	kg/m					
7,00/1591	10,0	0,28	X			X	X
15,80/3591	22,3	0,63	X			X	X
13,34/3032	37,2	0,81	X		X	X	X
28,20/6409	62,6	1,12	X		X	X	X
44,40/10091	86,4	2,00	X		X	X	X
63,60/14455	148,6	2,92	X		X	X	X
113,40/25773	215,2	5,15	X		X	X	X
177,00/40227	326,2	7,80		X	X		X
254,00/57727	445,0	11,70		X	X		X
344,80/78364	533,8	15,14		X	X		X
453,60/103091	722,2	20,14		X	X		X
560,50/127386	933,6	29,22		X	X		X
707,60/160818	1343,2	32,24		X	X		X
1020,60/213955	1255,3	45,23		X	X		X

E



S



L



C



A



Donghua CP roller chains are built with hard chromized pins. The surface hardness is more than 1100 HV10 offering a +30% higher wear resistance than standard case hardened pins. Donghua CP roller chain are used for tough environments, high speed, high frequency of movement in the bearing area resisting wear much better than case hardened pins. In combination with highly sophisticated lubricant this technology brings a unique performance in wear resistance. All Donghua roller chains are: Pre-loaded, Fatigue resistant, Wear resistant and Pre-lubricated. Donghua simplex, duplex and triplex roller chains are manufactured according to ISO 606 DIN8187, standard pre-loaded, pre-lubricated, do have seamless rollers and are marked with production batch code number for complete traceability. All Donghua roller chains are sealed in plastic bags and packed in cardboard boxes with clear ISO 606 DIN descriptions and safety instructions. Standard packaging size is 5 meter box, reels are available on request. Cut to length service is available on request. Several test certificates like breaking load, length tolerance and material analyses are possible and available on request. Rollers chains which are needed for 'run as pairs' applications can be matched as pairs on request. DIN, 1/2DIN and 1/3DIN length tolerance are possible, please ask us for a quotation. For high temperature, low temperature, food application or special environments different kind of special lubricants are available. Please ask our sales team for any special needs. For drive chain calculation and right dimension check, please contact our engineering department, also see drive chain calculation data sheet on page 301. By filling this data sheet and sending this to our engineering department you will receive a detailed drive chain calculation including life time expectation. Sprockets are available for all roller chains, with pilot bore, fixed bore, keyway, setscrew or bearing bore with grooves. Standard toothing, hardened toothing or special toothing are possible with pilot bore, fixed bore or taper bush. Chain tools, tensioners and chain lubricants please see page 302-310.

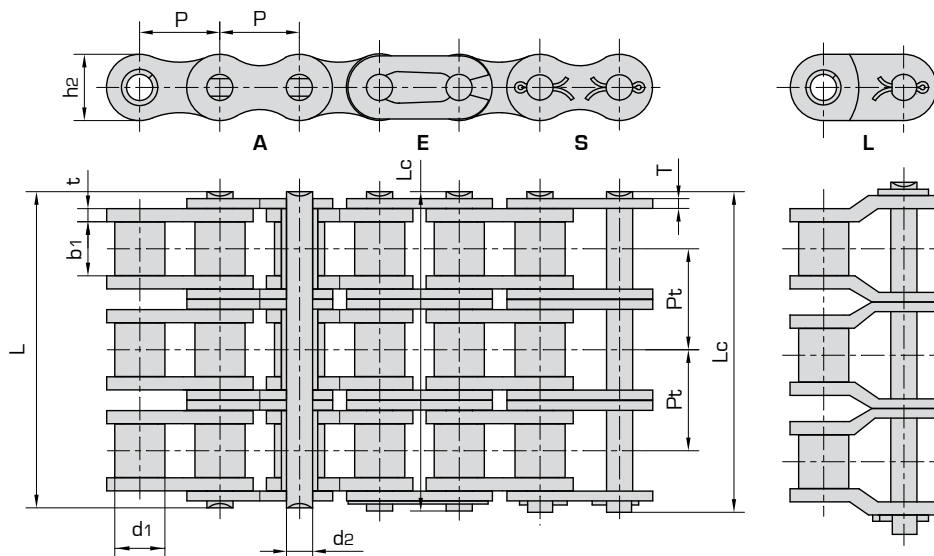
Short pitch precision roller chains (A series)

CP Hard Chromized Pins

Triplex roller chains & bush chains

Part nr.	DIN/ISO 606 Chain no.	ANSI Chain no.	Pitch	Roller diameter	Width between inner plates	Pin diameter	Pin length		Inner plate depth	Plate thickness	Transverse pitch
				d1 max	b1 min	d2 max	L max	Lc max	h2 max	T max	
				mm	mm	mm	mm	mm	mm	mm	
10025-3CP	*04C-3	*25-3	6,350	3,30	3,18	2,31	21,0	21,5	6,00	0,80	6,40
10035-3CP	*06C-3	*35-3	9,525	5,08	4,77	3,58	32,7	33,5	9,00	1,30	10,13
10040-3CP	08A-3	40-3	12,700	7,95	7,85	3,96	45,4	46,6	12,00	1,50	14,38
10050-3CP	10A-3	50-3	15,875	10,16	9,40	5,08	57,0	58,5	15,09	2,03	18,11
10060-3CP	12A-3	60-3	19,050	11,91	12,57	5,94	71,5	73,3	18,00	2,42	22,78
10080-3CP	16A-3	80-3	25,400	15,88	15,75	7,92	91,7	93,6	24,00	3,25	29,29
100100-3CP	20A-3	100-3	31,750	19,05	18,90	9,53	112,2	116,3	30,00	4,00	35,76
100120-3CP	24A-3	120-3	38,100	22,23	25,22	11,10	141,4	145,2	35,70	4,80	45,44
100140-3CP	28A-3	140-3	44,450	25,40	25,22	12,70	152,2	156,8	41,00	5,60	48,87
100160-3CP	32A-3	160-3	50,800	28,58	31,55	14,27	181,8	186,6	47,80	6,40	58,55
100180-3CP	36A-3	180-3	57,150	35,71	35,48	17,46	204,4	210,2	53,60	7,20	65,84
100200-3CP	40A-3	200-3	63,500	39,68	37,85	19,85	223,5	230,4	60,00	8,00	71,55
100240-3CP	48A-3	240-3	76,200	47,63	47,35	23,81	271,3	278,6	72,39	9,50	87,83

* Bush chain: d1 in the table indicates the external diameter of the bush.



Ultimate tensile strength	Average tensile strength	Weight per meter	Available chain parts				
Q min	Q0	q	E	S	L	C	A
kN/lbf	kN	kg/m					
10,5/2386	15,0	0,44	X			X	X
23,7/5386	33,9	1,05	X			X	X
42,3/9614	55,8	1,90	X		X		X
66,6/15136	93,9	3,09	X		X		X
95,4/21682	129,6	4,54	X		X		X
170,1/38659	222,9	7,89	X		X		X
265,5/60341	322,8	11,77		X	X		X
381,0/86591	489,3	17,53		X	X		X
517,2/117545	667,5	22,20		X	X		X
680,4/154636	800,7	30,02		X	X		X
840,7/191068	1083,3	38,22		X	X		X
1061,4/241227	1400,4	49,03		X	X		X
1530,9/347932	2014,8	71,60		X	X		X



Donghua CP roller chains are built with hard chromized pins. The surface hardness is more than 1100 HV10 offering a +30% higher wear resistance than standard case hardened pins. Donghua CP roller chain are used for tough environments, high speed, high frequency of movement in the bearing area resisting wear much better than case hardened pins. In combination with highly sophisticated lubricant this technology brings a unique performance in wear resistance. All Donghua roller chains are: Pre-loaded, Fatigue resistant, Wear resistant and Pre-lubricated. Donghua simplex, duplex and triplex roller chains are manufactured according to ISO 606 DIN8187, standard pre-loaded, pre-lubricated, do have seamless rollers and are marked with production batch code number for complete traceability. All Donghua roller chains are sealed in plastic bags and packed in cardboard boxes with clear ISO 606 DIN descriptions and safety instructions. Standard packaging size is 5 meter box, reels are available on request. Cut to length service is available on request. Several test certificates like breaking load, length tolerance and material analyses are possible and available on request. Rollers chains which are needed for 'run as pairs' applications can be matched as pairs on request. DIN, 1/2DIN and 1/3DIN length tolerance are possible, please ask us for a quotation. For high temperature, low temperature, food application or special environments different kind of special lubricants are available. Please ask our sales team for any special needs. For drive chain calculation and right dimension check, please contact our engineering department, also see drive chain calculation data sheet on page 301. By filling this data sheet and sending this to our engineering department you will receive a detailed drive chain calculation including life time expectation. Sprockets are available for all roller chains, with pilot bore, fixed bore, keyway, setscrew or bearing bore with grooves. Standard toothing, hardened toothing or special toothing are possible with pilot bore, fixed bore or taper bush. Chain tools, tensioners and chain lubricants please see page 302-310.

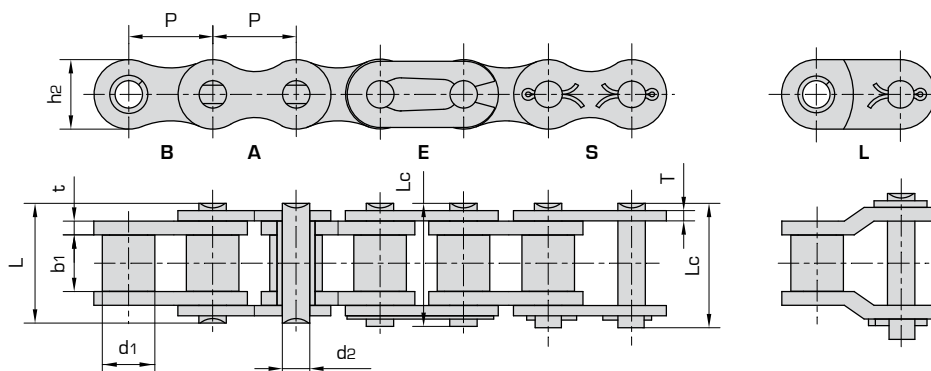
Short pitch precision roller chains (B series)

SLR (Self Lubricating Roller Chain)

Simplex roller chains

Part nr.	DIN/ISO 606 Chain no.	Pitch	Roller diameter	Width between inner plates	Pin diameter	Pin length	Inner plate depth	Plate thickness	
		P	d1 max	b1 min	d2 max	L max	Lc max	h2 max	T max
		mm	mm	mm	mm	mm	mm	mm	mm
14006B-1SLR	*06B-1SLR	9,525	6,35	5,72	3,28	13,15	14,1	8,20	1,30
14008B-1SLR	08B-1SLR	12,700	8,51	7,75	4,45	16,70	18,2	11,80	1,60
14010B-1SLR	10B-1SLR	15,875	10,16	9,65	5,08	19,50	20,9	14,70	1,70
14012B-1SLR	12B-1SLR	19,050	12,07	11,68	5,72	22,50	24,2	16,00	1,85
14016B-1SLR	16B-1SLR	25,400	15,88	17,02	8,28	36,10	37,4	21,00	4,15/3,1
14020B-1SLR	20B-1SLR	31,750	19,05	19,56	10,19	41,30	45,0	26,40	4,50/3,5
14024B-1SLR	24B-1SLR	38,100	25,40	25,40	14,63	53,40	57,8	33,20	6,00/4,8

* Straight side plates



Ultimate tensile strength	Average tensile strength	Weight per meter	Available chain parts					
Q min	Q0	q	E	S	L	C	A	B
kN/lbf	kN	kg/m						
9,0/2045	10,4	0,41	X		X	X	X	X
18,0/4091	19,4	0,69	X	X	X	X	X	X
22,4/5091	27,5	0,93	X	X	X	X	X	X
29,0/6591	32,2	1,15	X	X	X	X	X	X
60,0/13636	72,8	2,71	X	X	X	X	X	X
95,0/21591	106,7	3,70	X	X	X		X	X
160,0/36364	178,0	7,10		X	X		X	X



Solution range



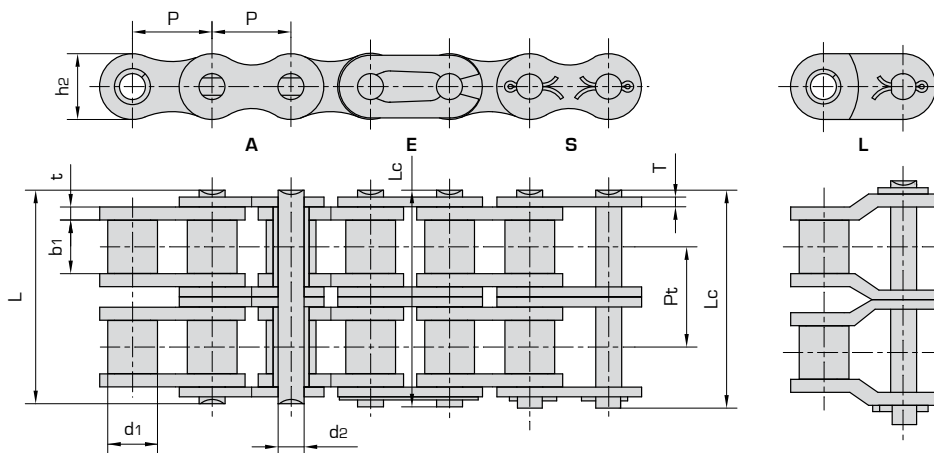
All Donghua SLR roller chains are made with Chemical Nickel Plated Pins and Hardened Sinter Steel Bushes. These components are self-lubricating. All other parts are Nickel Plated and protected against rust. Donghua SLR roller chains are used in applications where maintenance is not possible. Re-lubrication is not needed and not recommended. The outside of these SLR Roller Chains is dry. All Donghua roller chains are: Pre-loaded, Fatigue resistant, Wear resistant and Pre-lubricated. Donghua simplex, duplex and triplex roller chains are manufactured according to ISO 606 DIN8187, standard pre-loaded, pre-lubricated, do have seamless rollers and are marked with production batch code number for complete traceability. All Donghua roller chains are sealed in plastic bags and packed in cardboard boxes with clear ISO 606 DIN descriptions and safety instructions. Standard packaging size is 5 meter box, reels are available on request. Cut to length service is available on request. Several test certificates like breaking load, length tolerance and material analyses are possible and available on request. Rollers chains which are needed for 'run as pairs' applications can be matched as pairs on request. DIN, 1/2DIN and 1/3DIN length tolerance are possible, please ask us for a quotation. For high temperature, low temperature, food application or special environments different kind of special lubricants are available. Please ask our sales team for any special needs.

Short pitch precision roller chains (B series) SLR (Self Lubricating Roller Chain)

Duplex roller chains

Part nr.	DIN/ISO 606 Chain no.	Pitch	Roller diameter	Width between inner plates	Pin diameter	Pin length	Inner plate depth	Plate thickness	Transverse pitch	
		P	d1 max	b1 min	d2 max	L max	Lc max	h2 max	T max	
		mm	mm	mm	mm	mm	mm	mm	mm	
14006B-2SLR	*06B-2SLR	9,525	6,35	5,72	3,28	23,4	24,4	8,20	1,30	10,24
14008B-2SLR	08B-2SLR	12,700	8,51	7,75	4,45	31,0	32,2	11,80	1,60	13,92
14010B-2SLR	10B-2SLR	15,875	10,16	9,65	5,08	36,1	37,5	14,70	1,70	16,59
14012B-2SLR	12B-2SLR	19,050	12,07	11,68	5,72	42,0	43,6	16,00	1,85	19,46
14016B-2SLR	16B-2SLR	25,400	15,88	17,02	8,28	68,0	69,3	21,00	4,15/3,1	31,88
14020B-2SLR	20B-2SLR	31,750	19,05	19,56	10,19	77,8	81,5	26,40	4,50/3,5	36,45
14024B-2SLR	24B-2SLR	38,100	25,40	25,40	14,63	101,7	106,2	33,20	6,00/4,8	48,36

* Straight side plates



Ultimate tensile strength	Average tensile strength	Weight per meter	Available chain parts				
Q min	Q0	q	E	S	L	C	A
kN/lbf	kN	kg/m					
16,9/3841	18,7	0,77	X		X	X	X
32,0/7273	38,7	1,34	X	X	X	X	X
44,5/10114	56,2	1,84	X	X	X	X	X
57,8/13136	66,1	2,31	X	X	X	X	X
106,0/24091	133,0	5,42	X	X	X	X	X
170,0/38636	211,2	7,20		X	X		X
280,0/63636	319,2	13,40		X	X		X



Solution range



All Donghua SLR roller chains are made with Chemical Nickel Plated Pins and Hardened Sinter Steel Bushes. These components are self-lubricating. All other parts are Nickel Plated and protected against rust. Donghua SLR roller chains are used in applications where maintenance is not possible. Re-lubrication is not needed and not recommended. The outside of these SLR Roller Chains is dry. All Donghua roller chains are: Pre-loaded, Fatigue resistant, Wear resistant and Pre-lubricated. Donghua simplex, duplex and triplex roller chains are manufactured according to ISO 606 DIN8187, standard pre-loaded, pre-lubricated, do have seamless rollers and are marked with production batch code number for complete traceability. All Donghua roller chains are sealed in plastic bags and packed in cardboard boxes with clear ISO 606 DIN descriptions and safety instructions. Standard packaging size is 5 meter box, reels are available on request. Cut to length service is available on request. Several test certificates like breaking load, length tolerance and material analyses are possible and available on request. Rollers chains which are needed for 'run as pairs' applications can be matched as pairs on request. DIN, 1/2DIN and 1/3DIN length tolerance are possible, please ask us for a quotation. For high temperature, low temperature, food application or special environments different kind of special lubricants are available. Please ask our sales team for any special needs.

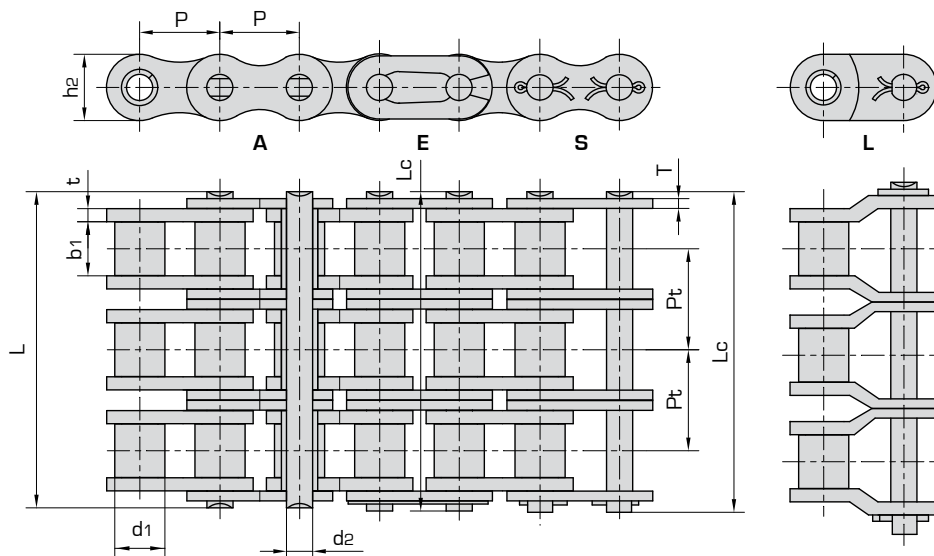
Short pitch precision roller chains (B series)

SLR (Self Lubricating Roller Chain)

Triplex roller chains

Part nr.	DIN/ISO 606 Chain no.	Pitch	Roller diameter	Width between inner plates	Pin diameter	Pin length	Inner plate depth	Plate thickness	Transverse pitch	
		P	d1 max	b1 min	d2 max	L max	Lc max	h2 max	T max	
		mm	mm	mm	mm	mm	mm	mm	mm	
14006B-3SLR	*06B-3SLR	9,525	6,35	5,72	3,28	33,5	34,6	8,20	1,30	10,24
14008B-3SLR	08B-3SLR	12,700	8,51	7,75	4,45	45,1	46,1	11,80	1,60	13,92
14010B-3SLR	10B-3SLR	15,875	10,16	9,65	5,08	52,7	54,1	14,70	1,70	16,59
14012B-3SLR	12B-3SLR	19,050	12,07	11,68	5,72	61,5	63,1	16,00	1,85	19,46
14016B-3SLR	16B-3SLR	25,400	15,88	17,02	8,28	99,8	101,2	21,00	4,15/3,1	31,88
14020B-3SLR	20B-3SLR	31,750	19,05	19,56	10,19	114,2	117,9	26,40	4,50/3,5	36,45
14024B-3SLR	24B-3SLR	38,100	25,40	25,40	14,63	150,1	154,6	33,20	6,00/4,8	48,36

* Straight side plates



Ultimate tensile strength	Average tensile strength	Weight per meter	Available chain parts				
Q min	Q0	q	E	S	L	C	A
kN/lbf	kN	kg/m					
24,9/5659	30,1	1,16	X		X	X	X
47,5/10795	57,8	2,03	X	X	X	X	X
66,7/15159	84,5	2,77	X	X	X	X	X
86,7/19705	101,8	3,46	X	X	X	X	X
160,0/36364	203,7	8,13	X	X	X	X	X
250,0/56818	290,0	10,82		X	X		X
425,0/96591	493,0	20,10		X	X		X



Solution range



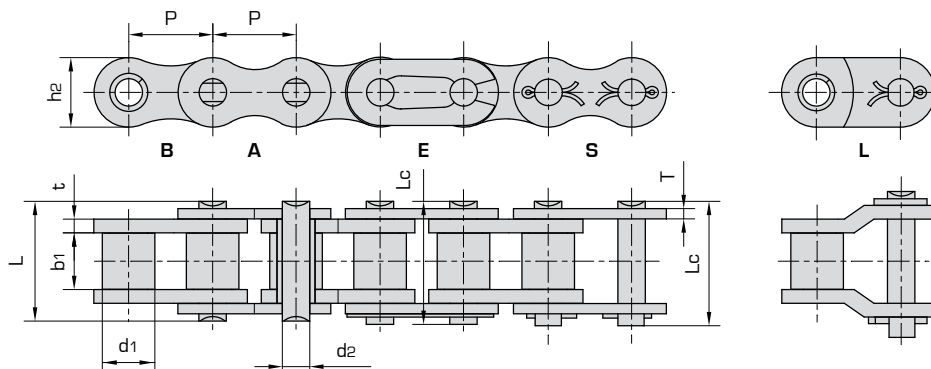
All Donghua SLR roller chains are made with Chemical Nickel Plated Pins and Hardened Sinter Steel Bushes. These components are self-lubricating. All other parts are Nickel Plated and protected against rust. Donghua SLR roller chains are used in applications where maintenance is not possible. Re-lubrication is not needed and not recommended. The outside of these SLR Roller Chains is dry. All Donghua roller chains are: Pre-loaded, Fatigue resistant, Wear resistant and Pre-lubricated. Donghua simplex, duplex and triplex roller chains are manufactured according to ISO 606 DIN8187, standard pre-loaded, pre-lubricated, do have seamless rollers and are marked with production batch code number for complete traceability. All Donghua roller chains are sealed in plastic bags and packed in cardboard boxes with clear ISO 606 DIN descriptions and safety instructions. Standard packaging size is 5 meter box, reels are available on request. Cut to length service is available on request. Several test certificates like breaking load, length tolerance and material analyses are possible and available on request. Rollers chains which are needed for 'run as pairs' applications can be matched as pairs on request. DIN, 1/2DIN and 1/3DIN length tolerance are possible, please ask us for a quotation. For high temperature, low temperature, food application or special environments different kind of special lubricants are available. Please ask our sales team for any special needs.

Short pitch precision roller chains (A series) SLR (Self Lubricating Roller Chain)

Simplex roller chains & bush chains

Part nr.	DIN/ISO 606 Chain no.	ANSI Chain no.	Pitch	Roller diameter	Width between inner plates	Pin diameter	Pin length		Inner plate depth	Plate thickness	Transverse pitch
				d1 max	b1 min	d2 max	L max	Lc max	h2 max	T max	
				mm	mm	mm	mm	mm	mm	mm	
14035-1SLR	*06C-1	*35	9,525	5,08	4,77	3,58	12,40	13,17	9,00	1,30	
14040-1SLR	08A-1	40	12,700	7,95	7,85	3,96	16,60	17,80	12,00	1,50	
14050-1SLR	10A-1	50	15,875	10,16	9,40	5,08	20,70	22,20	15,09	2,03	
14060-1SLR	12A-1	60	19,050	11,91	12,57	5,94	25,90	27,70	18,00	2,42	
14080-1SLR	16A-1	80	25,400	15,88	15,75	7,92	32,70	35,00	24,00	3,25	
140100-1SLR	20A-1	100	31,750	19,05	18,90	9,53	40,40	44,70	30,00	4,00	
140120-1SLR	24A-1	120	38,100	22,23	25,22	11,10	50,30	54,30	35,70	4,80	

* Bush chain: d1 in the table indicates the external diameter of the bush.



Ultimate tensile strength	Average tensile strength	Weight per meter	Available chain parts					
Q min	Q0	q	E	S	L	C	A	B
kN/lbf	kN	kg/m						
7,90/1795	10,8	0,33	X		X	X	X	X
14,10/3205	17,5	0,62	X		X	X	X	X
22,20/5045	29,4	1,02	X		X	X	X	X
31,80/7227	41,5	1,50	X		X	X	X	X
56,70/12886	69,4	2,60	X		X	X	X	X
88,50/20114	109,2	3,91		X	X		X	X
127,00/28864	156,3	5,62		X	X		X	X



Solution range



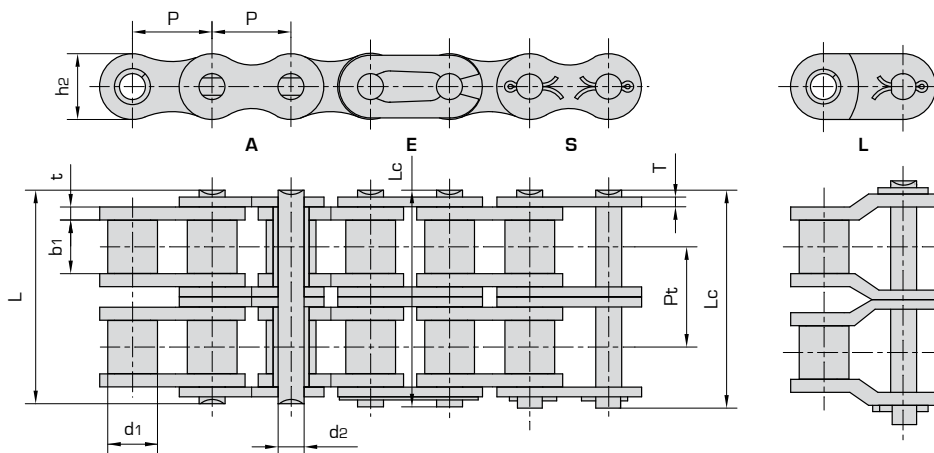
All Donghua SLR roller chains are made with Chemical Nickel Plated Pins and Hardened Sinter Steel Bushes. These components are self-lubricating. All other parts are Nickel Plated and protected against rust. Donghua SLR roller chains are used in applications where maintenance is not possible. Re-lubrication is not needed and not recommended. The outside of these SLR Roller Chains is dry. All Donghua roller chains are: Pre-loaded, Fatigue resistant, Wear resistant and Pre-lubricated. Donghua simplex, duplex and triplex roller chains are manufactured according to ISO 606 DIN8187, standard pre-loaded, pre-lubricated, do have seamless rollers and are marked with production batch code number for complete traceability. All Donghua roller chains are sealed in plastic bags and packed in cardboard boxes with clear ISO 606 DIN descriptions and safety instructions. Standard packaging size is 5 meter box, reels are available on request. Cut to length service is available on request. Several test certificates like breaking load, length tolerance and material analyses are possible and available on request. Rollers chains which are needed for 'run as pairs' applications can be matched as pairs on request. DIN, 1/2DIN and 1/3DIN length tolerance are possible, please ask us for a quotation. For high temperature, low temperature, food application or special environments different kind of special lubricants are available. Please ask our sales team for any special needs.

Short pitch precision roller chains (A series) SLR (Self Lubricating Roller Chain)

Duplex roller chains & bush chains

Part nr.	DIN/ISO 606 Chain no.	ANSI Chain no.	Pitch	Roller diameter	Width between inner plates	Pin diameter	Pin length		Inner plate depth	Plate thickness	Transverse pitch
				d1 max	b1 min	d2 max	L max	Lc max	h2 max	T max	
				mm	mm	mm	mm	mm	mm	mm	
14035-2SLR	*06C-2	*35-2	9,525	5,08	4,77	3,58	22,5	23,3	9,00	1,30	10,13
14040-2SLR	08A-2	40-2	12,700	7,95	7,85	3,96	31,0	32,2	12,00	1,50	14,38
14050-2SLR	10A-2	50-2	15,875	10,16	9,40	5,08	38,9	40,4	15,09	2,03	18,11
14060-2SLR	12A-2	60-2	19,050	11,91	12,57	5,94	48,8	50,5	18,00	2,42	22,78
14080-2SLR	16A-2	80-2	25,400	15,88	15,75	7,92	62,7	64,3	24,00	3,25	29,29
140100-2SLR	20A-2	100-2	31,750	19,05	18,90	9,53	76,4	80,5	30,00	4,00	35,76
140120-2SLR	24A-2	120-2	38,100	22,23	25,22	11,10	95,8	99,7	35,70	4,80	45,44

* Bush chain: d1 in the table indicates the external diameter of the bush.



Ultimate tensile strength	Average tensile strength	Weight per meter	Available chain parts				
Q min	Q0	q	E	S	L	C	A
kN/lbf	kN	kg/m					
15,80/3591	19,7	0,63	X			X	X
28,20/6409	35,9	1,12	X		X	X	X
44,40/10091	58,1	2,00	X		X	X	X
63,60/14455	82,1	2,92	X		X	X	X
113,40/25773	141,8	5,15	X		X	X	X
177,00/40227	219,4	7,80		X	X		X
254,00/57727	314,9	11,70		X	X		X



Solution range



All Donghua SLR roller chains are made with Chemical Nickel Plated Pins and Hardened Sinter Steel Bushes. These components are self-lubricating. All other parts are Nickel Plated and protected against rust. Donghua SLR roller chains are used in applications where maintenance is not possible. Re-lubrication is not needed and not recommended. The outside of these SLR Roller Chains is dry. All Donghua roller chains are: Pre-loaded, Fatigue resistant, Wear resistant and Pre-lubricated. Donghua simplex, duplex and triplex roller chains are manufactured according to ISO 606 DIN8187, standard pre-loaded, pre-lubricated, do have seamless rollers and are marked with production batch code number for complete traceability. All Donghua roller chains are sealed in plastic bags and packed in cardboard boxes with clear ISO 606 DIN descriptions and safety instructions. Standard packaging size is 5 meter box, reels are available on request. Cut to length service is available on request. Several test certificates like breaking load, length tolerance and material analyses are possible and available on request. Rollers chains which are needed for 'run as pairs' applications can be matched as pairs on request. DIN, 1/2DIN and 1/3DIN length tolerance are possible, please ask us for a quotation. For high temperature, low temperature, food application or special environments different kind of special lubricants are available. Please ask our sales team for any special needs.

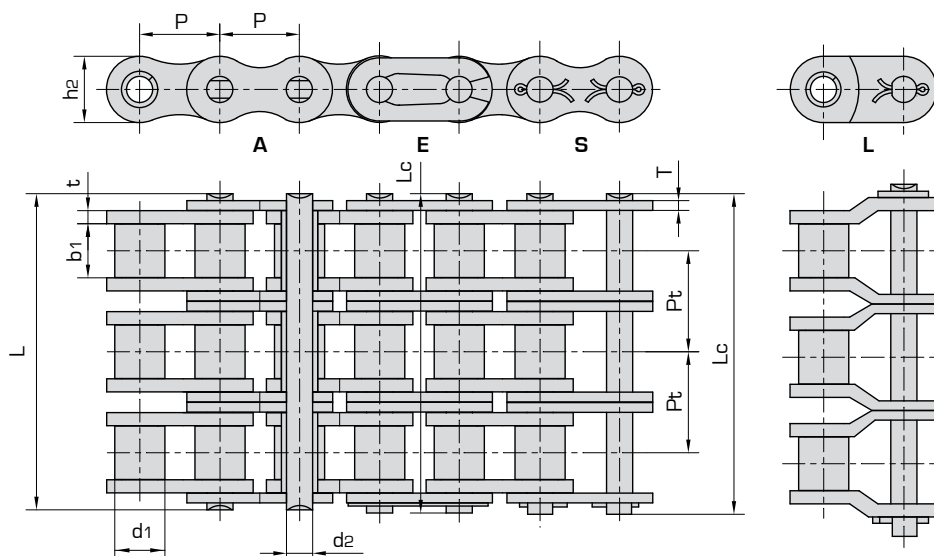
Short pitch precision roller chains (A series)

SLR (Self Lubricating Roller Chain)

Triplex roller chains & bush chains

Part nr.	DIN/ISO 606 Chain no.	ANSI Chain no.	Pitch	Roller diameter	Width between inner plates	Pin diameter	Pin length		Inner plate depth	Plate thickness	Transverse pitch
				d1 max	b1 min	d2 max	L max	Lc max	h2 max	T max	
				mm	mm	mm	mm	mm	mm	mm	
14035-3SLR	*06C-3	*35-3	9,525	5,08	4,77	3,58	32,7	33,5	9,00	1,30	10,13
14040-3SLR	08A-3	40-3	12,700	7,95	7,85	3,96	45,4	46,6	12,00	1,50	14,38
14050-3SLR	10A-3	50-3	15,875	10,16	9,40	5,08	57,0	58,5	15,09	2,03	18,11
14060-3SLR	12A-3	60-3	19,050	11,91	12,57	5,94	71,5	73,3	18,00	2,42	22,78
14080-3SLR	16A-3	80-3	25,400	15,88	15,75	7,92	91,7	93,6	24,00	3,25	29,29
140100-3SLR	20A-3	100-3	31,750	19,05	18,90	9,53	112,2	116,3	30,00	4,00	35,76
140120-3SLR	24A-3	120-3	38,100	22,23	25,22	11,10	141,4	145,2	35,70	4,80	45,44

* Bush chain: d1 in the table indicates the external diameter of the bush.



Ultimate tensile strength	Average tensile strength	Weight per meter	Available chain parts				
Q min	Q0	q	E	S	L	C	A
kN/lbf	kN	kg/m					
23,7/5386	28,6	1,05	X			X	X
42,3/9614	50,0	1,90	X		X		X
66,6/15136	77,8	3,09	X		X		X
95,4/21682	111,1	4,54	X		X		X
170,1/38659	198,4	7,89	X		X		X
265,5/60341	309,6	11,77		X	X		X
381,0/86591	437,2	17,53		X	X		X



Solution range



All Donghua SLR roller chains are made with Chemical Nickel Plated Pins and Hardened Sinter Steel Bushes. These components are self-lubricating. All other parts are Nickel Plated and protected against rust. Donghua SLR roller chains are used in applications where maintenance is not possible. Re-lubrication is not needed and not recommended. The outside of these SLR Roller Chains is dry. All Donghua roller chains are: Pre-loaded, Fatigue resistant, Wear resistant and Pre-lubricated. Donghua simplex, duplex and triplex roller chains are manufactured according to ISO 606 DIN8187, standard pre-loaded, pre-lubricated, do have seamless rollers and are marked with production batch code number for complete traceability. All Donghua roller chains are sealed in plastic bags and packed in cardboard boxes with clear ISO 606 DIN descriptions and safety instructions. Standard packaging size is 5 meter box, reels are available on request. Cut to length service is available on request. Several test certificates like breaking load, length tolerance and material analyses are possible and available on request. Rollers chains which are needed for 'run as pairs' applications can be matched as pairs on request. DIN, 1/2DIN and 1/3DIN length tolerance are possible, please ask us for a quotation. For high temperature, low temperature, food application or special environments different kind of special lubricants are available. Please ask our sales team for any special needs.





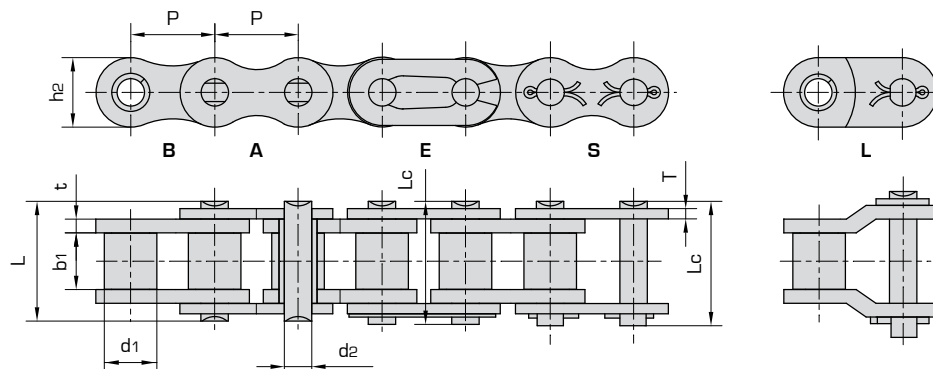
Short pitch precision roller chains (B series)

Nickel Plated

Simplex roller chains

Part nr.	DIN/ISO 606 Chain no.	Pitch	Roller diameter	Width between inner plates	Pin diameter	Pin length		Inner plate depth	Plate thickness
		P	d1 max	b1 min	d2 max	L max	Lc max	h2 max	T max
		mm	mm	mm	mm	mm	mm	mm	mm
10004B-1NP	04B-1NP	6,000	4,00	2,80	1,85	6,80	7,8	5,00	0,60
10005B-1NP	05B-1NP	8,000	5,00	3,00	2,31	8,20	8,9	7,10	0,80
10006B-1NP	*06B-1NP	9,525	6,35	5,72	3,28	13,15	14,1	8,20	1,30
10008B-1NP	08B-1NP	12,700	8,51	7,75	4,45	16,70	18,2	11,80	1,60
10010B-1NP	10B-1NP	15,875	10,16	9,65	5,08	19,50	20,9	14,70	1,70
10012B-1NP	12B-1NP	19,050	12,07	11,68	5,72	22,50	24,2	16,00	1,85
10016B-1NP	16B-1NP	25,400	15,88	17,02	8,28	36,10	37,4	21,00	4,15/3,1
10020B-1NP	20B-1NP	31,750	19,05	19,56	10,19	41,30	45,0	26,40	4,50/3,5
10024B-1NP	24B-1NP	38,100	25,40	25,40	14,63	53,40	57,8	33,20	6,00/4,8
10028B-1NP	28B-1NP	44,450	27,94	30,99	15,90	65,10	69,5	36,70	7,50/6,0
10032B-1NP	32B-1NP	50,800	29,21	30,99	17,81	66,00	71,0	42,00	7,00/6,0
10040B-1NP	40B-1NP	63,500	39,37	38,10	22,89	82,20	89,2	52,96	8,50/8,0
10048B-1NP	48B-1NP	76,200	48,26	45,72	29,24	99,10	107,0	63,80	12,00/10,0
10056B-1NP	56B-1NP	88,900	53,98	53,34	34,32	114,60	123,0	77,80	13,50/12,0
10064B-1NP	64B-1NP	101,600	63,50	60,96	39,40	130,00	138,5	90,17	15,00/13,0
10072B-1NP	72B-1NP	114,300	72,39	68,58	44,48	147,40	156,4	103,60	17,00/15,0

* Straight side plates



Ultimate tensile strength	Average tensile strength	Weight per meter	Available chain parts						
Q min Q min	Q0 Q0	q q							
kN/lbf	kN	kg/m	E	S	L	C	A	B	
3,0/682	3,2	0,11	X		X	X	X	X	
5,0/1136	5,9	0,20	X		X	X	X	X	
9,0/2045	10,4	0,41	X		X	X	X	X	
18,0/4091	19,4	0,69	X	X	X	X	X	X	
22,4/5091	27,5	0,93	X	X	X	X	X	X	
29,0/6591	32,2	1,15	X	X	X	X	X	X	
60,0/13636	77,1	2,71	X	X	X	X	X	X	
95,0/21591	112,8	3,70	X	X	X		X	X	
160,0/36364	178,0	7,10		X	X		X	X	
200,0/45455	236,4	8,50		X	X		X	X	
250,0/56818	277,5	10,25		X	X		X	X	
355,0/80682	394,0	16,35		X	X		X	X	
560,0/127272	621,6	25,00		X	X		X	X	
850,0/193180	940,0	35,78		X	X		X	X	
1120,0/254544	1240,0	46,00		X	X		X	X	
1400,0/318180	1550,0	60,80		X	X		X	X	



Solution Range



Donghua Nickel Plated Roller Chains are developed to offer good wear and corrosion resistance. For special applications we deliver Chemical Nickel Plating on request. All Donghua roller chains are: Pre-loaded, Fatigue resistant, Wear resistant and Pre-lubricated. Donghua simplex, duplex and triplex roller chains are manufactured according to ISO 606 DIN8187, standard pre-loaded, pre-lubricated, do have seamless rollers and are marked with production batch code number for complete traceability. All Donghua roller chains are sealed in plastic bags and packed in cardboard boxes with clear ISO 606 DIN descriptions and safety instructions. Standard packaging size is 5 meter box, reels are available on request. Cut to length service is available on request. Several test certificates like breaking load, length tolerance and material analyses are possible and available on request. Rollers chains which are needed for 'run as pairs' applications can be matched as pairs on request. DIN, 1/2DIN and 1/3DIN length tolerance are possible, please ask us for a quotation. For high temperature, low temperature, food application or special environments different kind of special lubricants are available. Please ask our sales team for any special needs. For drive chain calculation and right dimension check, please contact our engineering department, also see drive chain calculation data sheet on page 301. By filling this data sheet and sending this to our engineering department you will receive a detailed drive chain calculation including life time expectation. Sprockets are available for all roller chains, with pilot bore, fixed bore, keyway, setscrew or bearing bore with grooves. Standard toothing, hardened toothing or special toothing are possible with pilot bore, fixed bore or taper bush. Chain tools, tensioners and chain lubricants please see page 302-310.

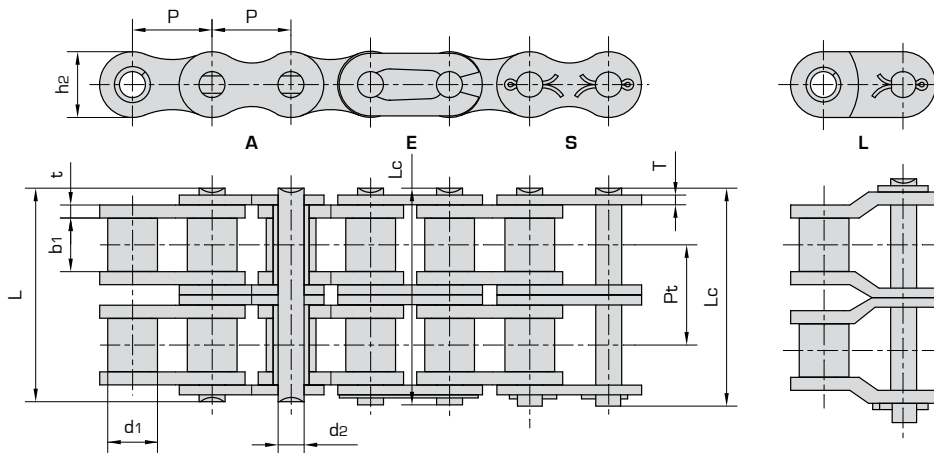
Short pitch precision roller chains (B series)

Nickel Plated

Duplex roller chains

Part nr.	DIN/ISO 606 Chain no.	Pitch	Roller diameter	Width between inner plates	Pin diameter	Pin length	Inner plate depth	Plate thickness	Transverse pitch	
		P	d1 max	b1 min	d2 max	L max	Lc max	h2 max	T max	Pt
		mm	mm	mm	mm	mm	mm	mm	mm	mm
10004B-2NP	04B-2NP	6,000	4,00	2,80	1,85	13,2	14,2	5,00	0,60	5,50
10005B-2NP	05B-2NP	8,000	5,00	3,00	2,31	13,9	14,5	7,10	0,80	5,64
10006B-2NP	*06B-2NP	9,525	6,35	5,72	3,28	23,4	24,4	8,20	1,30	10,24
10008B-2NP	08B-2NP	12,700	8,51	7,75	4,45	31,0	32,2	11,80	1,60	13,92
10010B-2NP	10B-2NP	15,875	10,16	9,65	5,08	36,1	37,5	14,70	1,70	16,59
10012B-2NP	12B-2NP	19,050	12,07	11,68	5,72	42,0	43,6	16,00	1,85	19,46
10016B-2NP	16B-2NP	25,400	15,88	17,02	8,28	68,0	69,3	21,00	4,15/3,1	31,88
10020B-2NP	20B-2NP	31,750	19,05	19,56	10,19	77,8	81,5	26,40	4,50/3,5	36,45
10024B-2NP	24B-2NP	38,100	25,40	25,40	14,63	101,7	106,2	33,20	6,00/4,8	48,36
10028B-2NP	28B-2NP	44,450	27,94	30,99	15,90	124,6	129,1	36,70	7,50/6,0	59,56
10032B-2NP	32B-2NP	50,800	29,21	30,99	17,81	124,6	129,6	42,00	7,00/6,0	58,55
10040B-2NP	40B-2NP	63,500	39,37	38,10	22,89	154,5	161,5	52,96	8,50/8,0	72,29
10048B-2NP	48B-2NP	76,200	48,26	45,72	29,24	190,4	198,2	63,80	12,00/10,0	91,21
10056B-2NP	56B-2NP	88,900	53,98	53,34	34,32	221,2	229,6	77,80	13,50/12,0	106,60
10064B-2NP	64B-2NP	101,600	63,50	60,96	39,40	249,9	258,4	90,17	15,00/13,0	119,89
10072B-2NP	72B-2NP	114,300	72,39	68,58	44,48	283,7	292,7	103,60	17,00/15,0	136,27

* Straight side plates



Ultimate tensile strength	Average tensile strength	Weight per meter	Available chain parts				
Q min	Q0	q	E	S	L	C	A
kN/lbf	kN	kg/m					
5,0/1124	6,1	0,23	X		X	X	X
7,8/1773	10,2	0,33	X		X	X	X
16,9/3841	18,7	0,77	X		X	X	X
32,0/7273	38,7	1,34	X	X	X	X	X
44,5/10114	56,2	1,84	X	X	X	X	X
57,8/13136	66,1	2,31	X	X	X	X	X
106,0/24091	152,0	5,42	X	X	X	X	X
170,0/38636	229	7,20		X	X		X
280,0/63636	319,2	13,40		X	X		X
360,0/81818	406,8	16,60		X	X		X
450,0/102273	508,5	21,00		X	X		X
630,0/143182	711,9	32,00		X	X		X
1000,0/227272	1130,0	50,00		X	X		X
1600,0/363635	1760,0	71,48		X	X		X
2000,0/454544	2200,0	91,00		X	X		X
2500,0/568180	2750,0	120,40		X	X		X



Solution range



Donghua Nickel Plated Roller Chains are developed to offer good wear and corrosion resistance. For special applications we deliver Chemical Nickel Plating on request. All Donghua roller chains are: Pre-loaded, Fatigue resistant, Wear resistant and Pre-lubricated. Donghua simplex, duplex and triplex roller chains are manufactured according to ISO 606 DIN8187, standard pre-loaded, pre-lubricated, do have seamless rollers and are marked with production batch code number for complete traceability. All Donghua roller chains are sealed in plastic bags and packed in cardboard boxes with clear ISO 606 DIN descriptions and safety instructions. Standard packaging size is 5 meter box, reels are available on request. Cut to length service is available on request. Several test certificates like breaking load, length tolerance and material analyses are possible and available on request. Rollers chains which are needed for 'run as pairs' applications can be matched as pairs on request. DIN, 1/2DIN and 1/3DIN length tolerance are possible, please ask us for a quotation. For high temperature, low temperature, food application or special environments different kind of special lubricants are available. Please ask our sales team for any special needs. For drive chain calculation and right dimension check, please contact our engineering department, also see drive chain calculation data sheet on page 301. By filling this data sheet and sending this to our engineering department you will receive a detailed drive chain calculation including life time expectation. Sprockets are available for all roller chains, with pilot bore, fixed bore, keyway, setscrew or bearing bore with grooves. Standard toothing, hardened toothing or special toothing are possible with pilot bore, fixed bore or taper bush. Chain tools, tensioners and chain lubricants please see page 302-310.

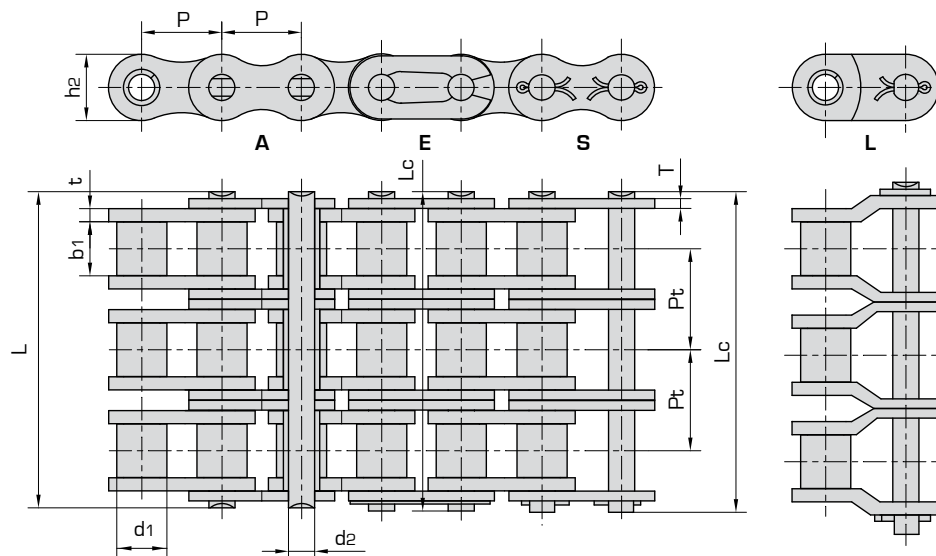
Short pitch precision roller chains (B series)

Nickel Plated

Triplex roller chains

Part nr.	DIN/ISO 606 Chain no.	Pitch	Roller diameter	Width between inner plates	Pin diameter	Pin length	Inner plate depth	Plate thickness	Transverse pitch	
		P	d1 max	b1 min	d2 max	L max	Lc max	h2 max	T max	Pt
		mm	mm	mm	mm	mm	mm	mm	mm	mm
10005B-3NP	05B-3NP	8,000	5,00	3,00	2,31	19,5	20,2	7,10	0,80	5,64
10006B-3NP	*06B-3NP	9,525	6,35	5,72	3,28	33,5	34,6	8,20	1,30	10,24
10008B-3NP	08B-3NP	12,700	8,51	7,75	4,45	45,1	46,1	11,80	1,60	13,92
10010B-3NP	10B-3NP	15,875	10,16	9,65	5,08	52,7	54,1	14,70	1,70	16,59
10012B-3NP	12B-3NP	19,050	12,07	11,68	5,72	61,5	63,1	16,00	1,85	19,46
10016B-3NP	16B-3NP	25,400	15,88	17,02	8,28	99,8	101,2	21,00	4,15/3,1	31,88
10020B-3NP	20B-3NP	31,750	19,05	19,56	10,19	114,2	117,9	26,40	4,50/3,5	36,45
10024B-3NP	24B-3NP	38,100	25,40	25,40	14,63	150,1	154,6	33,20	6,00/4,8	48,36
10028B-3NP	28B-3NP	44,450	27,94	30,99	15,90	184,2	188,7	36,70	7,50/6,0	59,56
10032B-3NP	32B-3NP	50,800	29,21	30,99	17,81	183,2	188,2	42,00	7,00/6,0	58,55
10040B-3NP	40B-3NP	63,500	39,37	38,10	22,89	226,8	233,8	52,96	8,50/8,0	72,29
10048B-3NP	48B-3NP	76,200	48,26	45,72	29,24	281,6	289,4	63,80	12,00/10,0	91,21
10056B-3NP	56B-3NP	88,900	53,98	53,34	34,32	327,8	336,2	77,80	13,50/12,0	106,6
10064B-3NP	64B-3NP	101,600	63,50	60,96	39,40	369,8	378,3	90,17	15,00/13,0	119,89
10072B-3NP	72B-3NP	114,300	72,39	68,58	44,48	420,0	429,0	103,60	17,00/15,0	136,27

* Straight side plates



Ultimate tensile strength	Average tensile strength	Weight per meter	Available chain parts				
Q min	Q0	q	E	S	L	C	A
kN/lbf	kN	kg/m					
11,1/2523	13,8	0,48	X		X	X	X
24,9/5659	30,1	1,16	X		X	X	X
47,5/10795	57,8	2,03	X	X	X	X	X
66,7/15159	84,5	2,77	X	X	X	X	X
86,7/19705	101,8	3,46	X	X	X	X	X
160,0/36364	227,1	8,13	X	X	X	X	X
250,0/56818	334,3	10,82		X	X		X
425,0/96591	493,0	20,10		X	X		X
530,0/120454	609,5	24,92		X	X		X
670,0/152273	770,5	31,56		X	X		X
950,0/215909	1092,5	48,10		X	X		X
1500,0/340909	1710,0	75,00		X	X		X
2240,0/545450	2464,0	107,18		X	X		X
3000,0/681820	3300,0	136,00		X	X		X
3750,0/852270	4125,0	180,00		X	X		X



Solution range



Donghua Nickel Plated Roller Chains are developed to offer good wear and corrosion resistance. For special applications we deliver Chemical Nickel Plating on request. All Donghua roller chains are: Pre-loaded, Fatigue resistant, Wear resistant and Pre-lubricated. Donghua simplex, duplex and triplex roller chains are manufactured according to ISO 606 DIN8187, standard pre-loaded, pre-lubricated, do have seamless rollers and are marked with production batch code number for complete traceability. All Donghua roller chains are sealed in plastic bags and packed in cardboard boxes with clear ISO 606 DIN descriptions and safety instructions. Standard packaging size is 5 meter box, reels are available on request. Cut to length service is available on request. Several test certificates like breaking load, length tolerance and material analyses are possible and available on request. Rollers chains which are needed for 'run as pairs' applications can be matched as pairs on request. DIN, 1/2DIN and 1/3DIN length tolerance are possible, please ask us for a quotation. For high temperature, low temperature, food application or special environments different kind of special lubricants are available. Please ask our sales team for any special needs. For drive chain calculation and right dimension check, please contact our engineering department, also see drive chain calculation data sheet on page 301. By filling this data sheet and sending this to our engineering department you will receive a detailed drive chain calculation including life time expectation. Sprockets are available for all roller chains, with pilot bore, fixed bore, keyway, setscrew or bearing bore with grooves. Standard toothing, hardened toothing or special toothing are possible with pilot bore, fixed bore or taper bush. Chain tools, tensioners and chain lubricants please see page 302-310.

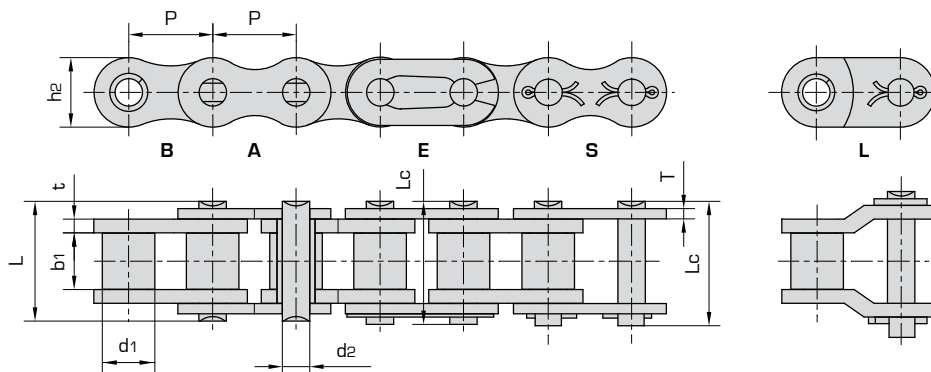
Short pitch precision roller chains (A series)

Nickel Plated

Simplex roller chains & bush chains

Part nr.	DIN/ISO 606 Chain no.	ANSI Chain no.	Pitch	Roller	Width	Pin	Pin length		Inner	Plate	
				diameter	between	diameter		plate	thickness		
					inner			depth			
			P	d1 max	b1 min	d2 max	L max	Lc max	h2 max	T max	
			mm	mm	mm	mm	mm	mm	mm	mm	mm
10015-1NP	*03C	*15	4,763	2,48	2,38	1,62	6,10	6,90	4,30	0,60	
10025-1NP	*04C-1	*25	6,350	3,30	3,18	2,31	7,90	8,40	6,00	0,80	
10035-1NP	*06C-1	*35	9,525	5,08	4,77	3,58	12,40	13,17	9,00	1,30	
10041-1NP	085-1	41	12,700	7,77	6,25	3,58	13,75	15,00	9,91	1,30	
10040-1NP	08A-1	40	12,700	7,95	7,85	3,96	16,60	17,80	12,00	1,50	
10050-1NP	10A-1	50	15,875	10,16	9,40	5,08	20,70	22,20	15,09	2,03	
10060-1NP	12A-1	60	19,050	11,91	12,57	5,94	25,90	27,70	18,00	2,42	
10080-1NP	16A-1	80	25,400	15,88	15,75	7,92	32,70	35,00	24,00	3,25	
100100-1NP	20A-1	100	31,750	19,05	18,90	9,53	40,40	44,70	30,00	4,00	
100120-1NP	24A-1	120	38,100	22,23	25,22	11,10	50,30	54,30	35,70	4,80	
100140-1NP	28A-1	140	44,450	25,40	25,22	12,70	54,40	59,00	41,00	5,60	
100160-1NP	32A-1	160	50,800	28,58	31,55	14,27	64,80	69,60	47,80	6,40	
100180-1NP	36A-1	180	57,150	35,71	35,48	17,46	72,80	78,60	53,60	7,20	
100200-1NP	40A-1	200	63,500	39,68	37,85	19,85	80,30	87,20	60,00	8,00	
100240-1NP	48A-1	240	76,200	47,63	47,35	23,81	95,50	103,00	72,39	9,50	

* Bush chain: d1 in the table indicates the external diameter of the bush.



Ultimate tensile strength	Average tensile strength	Weight per meter	Available chain parts					
Q min	Q0	q	E	S	L	C	A	B
kN/lbf	kN	kg/m						
1,80/409	2,0	0,08	X			X	X	X
3,50/795	5,0	0,15	X			X	X	X
7,90/1795	11,3	0,33	X		X	X	X	X
6,67/1516	18,6	0,41	X		X	X	X	X
14,10/3205	31,3	0,62	X		X	X	X	X
22,20/5045	43,2	1,02	X		X	X	X	X
31,80/7227	74,3	1,50	X		X	X	X	X
56,70/12886	107,6	2,60	X		X	X	X	X
88,50/20114	163,1	3,91		X	X		X	X
127,00/28864	222,5	5,62		X	X		X	X
172,40/39182	266,9	7,50		X	X		X	X
226,80/51545	361,1	10,10		X	X		X	X
280,20/63682	466,8	13,45		X	X		X	X
353,80/80409	671,6	16,15		X	X		X	X
510,30/115977	622,5	23,2		X	X		X	X



Solution Range



Donghua Nickel Plated Roller Chains are developed to offer good wear and corrosion resistance. For special applications we deliver Chemical Nickel Plating on request. All Donghua roller chains are: Pre-loaded, Fatigue resistant, Wear resistant and Pre-lubricated. Donghua simplex, duplex and triplex roller chains are manufactured according to ISO 606 DIN8187, standard pre-loaded, pre-lubricated, do have seamless rollers and are marked with production batch code number for complete traceability. All Donghua roller chains are sealed in plastic bags and packed in cardboard boxes with clear ISO 606 DIN descriptions and safety instructions. Standard packaging size is 5 meter box, reels are available on request. Cut to length service is available on request. Several test certificates like breaking load, length tolerance and material analyses are possible and available on request. Rollers chains which are needed for 'run as pairs' applications can be matched as pairs on request. DIN, 1/2DIN and 1/3DIN length tolerance are possible, please ask us for a quotation. For high temperature, low temperature, food application or special environments different kind of special lubricants are available. Please ask our sales team for any special needs. For drive chain calculation and right dimension check, please contact our engineering department, also see drive chain calculation data sheet on page 301. By filling this data sheet and sending this to our engineering department you will receive a detailed drive chain calculation including life time expectation. Sprockets are available for all roller chains, with pilot bore, fixed bore, keyway, setscrew or bearing bore with grooves. Standard toothing, hardened toothing or special toothing are possible with pilot bore, fixed bore or taper bush. Chain tools, tensioners and chain lubricants please see page 302-310.

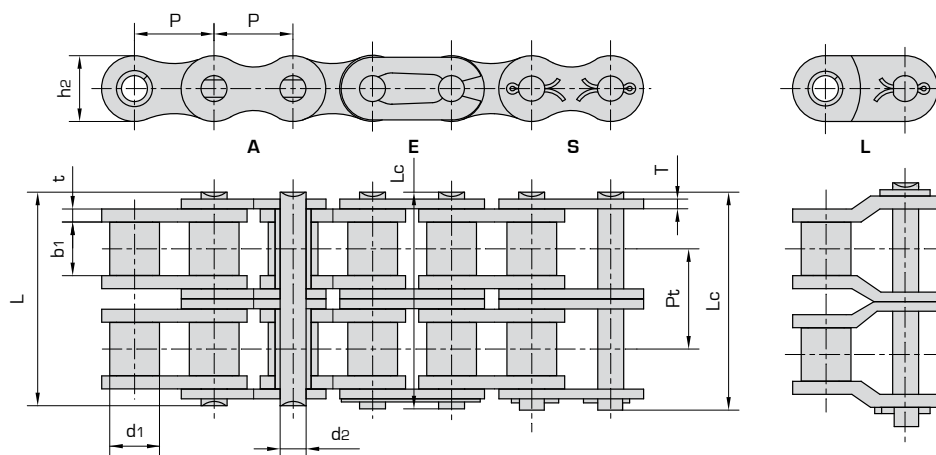
Short pitch precision roller chains (A series)

Nickel Plated

Duplex roller chains & bush chains

Part nr.	DIN/ISO 606 Chain no.	ANSI Chain no.	Pitch	Roller diameter	Width between inner plates	Pin diameter	Pin length		Inner plate depth	Plate thickness	Transverse pitch
				d1 max	b1 min	d2 max	L max	Lc max	h2 max	T max	
			P	d1 max	b1 min	d2 max	L max	Lc max	h2 max	T max	
			mm	mm	mm	mm	mm	mm	mm	mm	
10025-2NP	*04C-2	*25-2	6,350	3,30	3,18	2,31	14,5	15,0	6,00	0,80	6,40
10035-2NP	*06C-2	*35-2	9,525	5,08	4,77	3,58	22,5	23,3	9,00	1,30	10,13
10041-2NP	085-2	41-2	12,700	7,77	6,25	3,58	25,7	26,9	9,91	1,30	11,95
10040-2NP	08A-2	40-2	12,700	7,95	7,85	3,96	31,0	32,2	12,00	1,50	14,38
10050-2NP	10A-2	50-2	15,875	10,16	9,40	5,08	38,9	40,4	15,09	2,03	18,11
10060-2NP	12A-2	60-2	19,050	11,91	12,57	5,94	48,8	50,5	18,00	2,42	22,78
10080-2NP	16A-2	80-2	25,400	15,88	15,75	7,92	62,7	64,3	24,00	3,25	29,29
100100-2NP	20A-2	100-2	31,750	19,05	18,90	9,53	76,4	80,5	30,00	4,00	35,76
100120-2NP	24A-2	120-2	38,100	22,23	25,22	11,10	95,8	99,7	35,70	4,80	45,44
100140-2NP	28A-2	140-2	44,450	25,40	25,22	12,70	103,3	107,9	41,00	5,60	48,87
100160-2NP	32A-2	160-2	50,800	28,58	31,55	14,27	123,3	128,1	47,80	6,40	58,55
100180-2NP	36A-2	180-2	57,150	35,71	35,48	17,46	138,6	144,4	53,60	7,20	65,84
100200-2NP	40A-2	200-2	63,500	39,68	37,85	19,85	151,9	158,8	60,00	8,00	71,55
100240-2NP	48A-2	240-2	76,200	47,63	47,35	23,81	183,4	190,8	72,39	9,50	87,83

* Bush chain: d1 in the table indicates the external diameter of the bush.



Ultimate tensile strength	Average tensile strength	Weight per meter	Available chain parts				
Q min	Q0	q	E	S	L	C	A
kN/lbf	kN	kg/m					
7,00/1591	10,0	0,28	X			X	X
15,80/3591	22,3	0,63	X			X	X
13,34/3032	37,2	0,81	X		X	X	X
28,20/6409	62,6	1,12	X		X	X	X
44,40/10091	86,4	2,00	X		X	X	X
63,60/14455	148,6	2,92	X		X	X	X
113,40/25773	215,2	5,15	X		X	X	X
177,00/40227	326,2	7,80		X	X		X
254,00/57727	445,0	11,70		X	X		X
344,80/78364	533,8	15,14		X	X		X
453,60/103091	722,2	20,14		X	X		X
560,50/127386	933,6	29,22		X	X		X
707,60/160818	1343,2	32,24		X	X		X
1020,60/213955	1255,3	45,23		X	X		X



Donghua Nickel Plated Roller Chains are developed to offer good wear and corrosion resistance. For special applications we deliver Chemical Nickel Plating on request. All Donghua roller chains are: Pre-loaded, Fatigue resistant, Wear resistant and Pre-lubricated. Donghua simplex, duplex and triplex roller chains are manufactured according to ISO 606 DIN8187, standard pre-loaded, pre-lubricated, do have seamless rollers and are marked with production batch code number for complete traceability. All Donghua roller chains are sealed in plastic bags and packed in cardboard boxes with clear ISO 606 DIN descriptions and safety instructions. Standard packaging size is 5 meter box, reels are available on request. Cut to length service is available on request. Several test certificates like breaking load, length tolerance and material analyses are possible and available on request. Rollers chains which are needed for 'run as pairs' applications can be matched as pairs on request. DIN, 1/2DIN and 1/3DIN length tolerance are possible, please ask us for a quotation. For high temperature, low temperature, food application or special environments different kind of special lubricants are available. Please ask our sales team for any special needs. For drive chain calculation and right dimension check, please contact our engineering department, also see drive chain calculation data sheet on page 301. By filling this data sheet and sending this to our engineering department you will receive a detailed drive chain calculation including life time expectation. Sprockets are available for all roller chains, with pilot bore, fixed bore, keyway, setscrew or bearing bore with grooves. Standard toothing, hardened toothing or special toothing are possible with pilot bore, fixed bore or taper bush. Chain tools, tensioners and chain lubricants please see page 302-310.

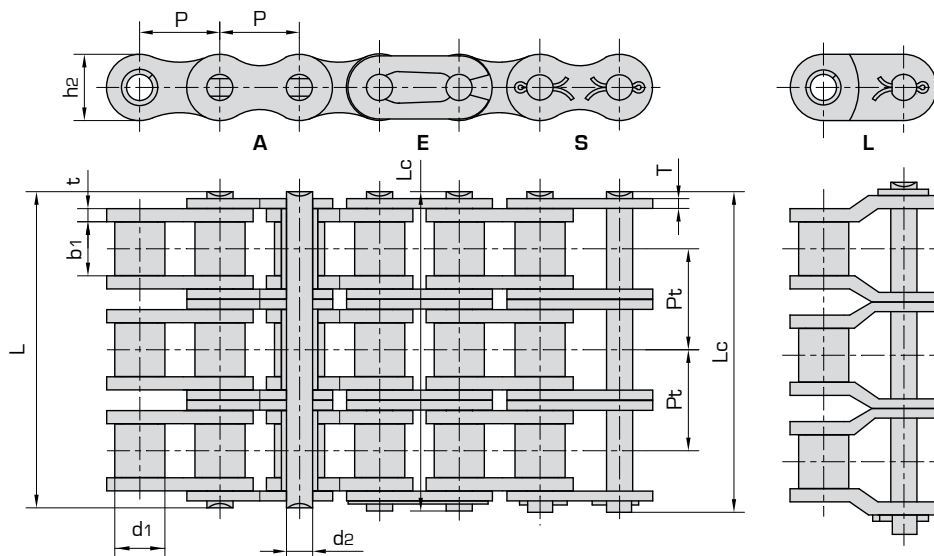
Short pitch precision roller chains (A series)

Nickel Plated

Triplex roller chains & bush chains

Part nr.	DIN/ISO 606 Chain no.	ANSI Chain no.	Pitch	Roller diameter	Width between inner plates	Pin diameter	Pin length		Inner plate depth	Plate thickness	Transverse pitch
							L max	Lc max			
							P	d1 max			
			mm	mm	mm	mm	mm	mm	mm	mm	
10025-3NP	*04C-3	*25-3	6,350	3,30	3,18	2,31	21,0	21,5	6,00	0,80	6,40
10035-3NP	*06C-3	*35-3	9,525	5,08	4,77	3,58	32,7	33,5	9,00	1,30	10,13
10040-3NP	08A-3	40-3	12,700	7,95	7,85	3,96	45,4	46,6	12,00	1,50	14,38
10050-3NP	10A-3	50-3	15,875	10,16	9,40	5,08	57,0	58,5	15,09	2,03	18,11
10060-3NP	12A-3	60-3	19,050	11,91	12,57	5,94	71,5	73,3	18,00	2,42	22,78
10080-3NP	16A-3	80-3	25,400	15,88	15,75	7,92	91,7	93,6	24,00	3,25	29,29
100100-3NP	20A-3	100-3	31,750	19,05	18,90	9,53	112,2	116,3	30,00	4,00	35,76
100120-3NP	24A-3	120-3	38,100	22,23	25,22	11,10	141,4	145,2	35,70	4,80	45,44
100140-3NP	28A-3	140-3	44,450	25,40	25,22	12,70	152,2	156,8	41,00	5,60	48,87
100160-3NP	32A-3	160-3	50,800	28,58	31,55	14,27	181,8	186,6	47,80	6,40	58,55
100180-3NP	36A-3	180-3	57,150	35,71	35,48	17,46	204,4	210,2	53,60	7,20	65,84
100200-3NP	40A-3	200-3	63,500	39,68	37,85	19,85	223,5	230,4	60,00	8,00	71,55
100240-3NP	48A-3	240-3	76,200	47,63	47,35	23,81	271,3	278,6	72,39	9,50	87,83

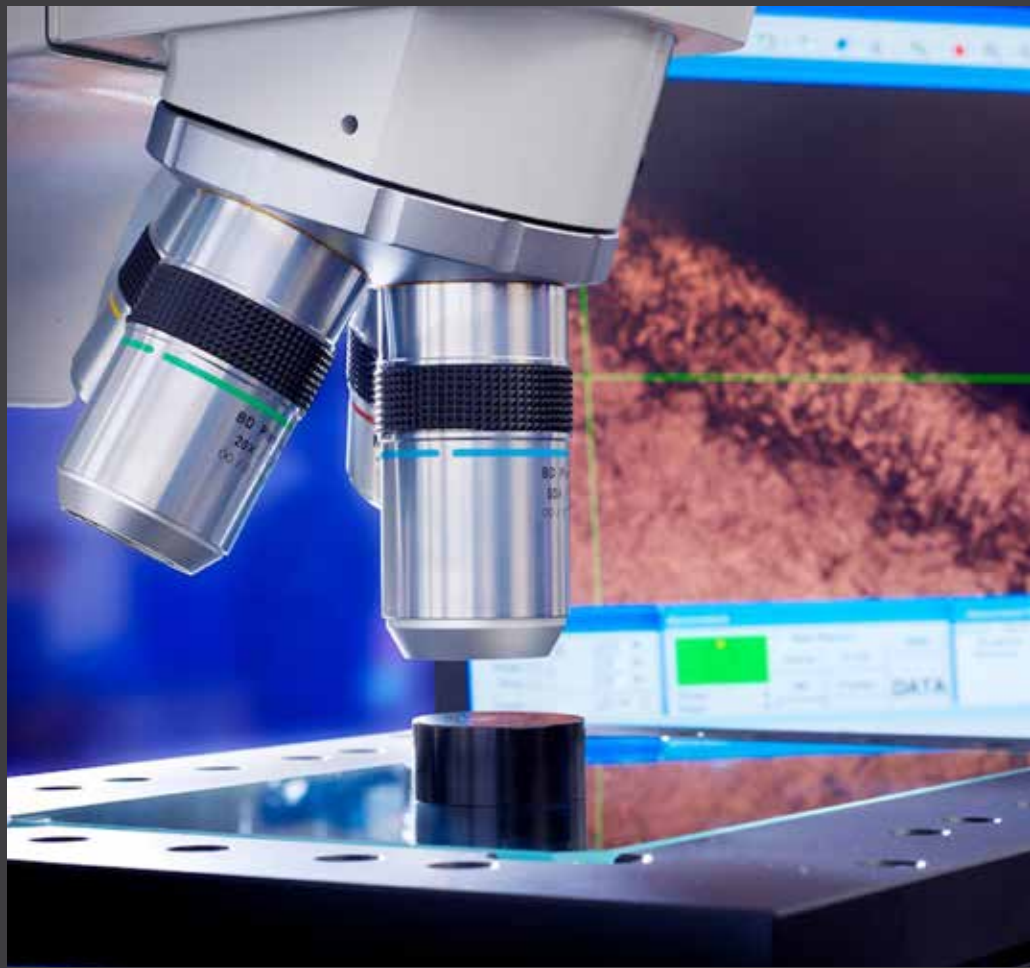
* Bush chain: d1 in the table indicates the external diameter of the bush.



Ultimate tensile strength	Average tensile strength	Weight per meter	Available chain parts				
Q min	Q0	q	E	S	L	C	A
kN/lbf	kN	kg/m					
10.5/2386	15,0	0,44	X			X	X
23.7/5386	33,9	1,05	X			X	X
42.3/9614	55,8	1,90	X		X		X
66.6/15136	93,9	3,09	X		X		X
95.4/21682	129,6	4,54	X		X		X
170.1/38659	222,9	7,89	X		X		X
265.5/60341	322,8	11,77		X	X		X
381.0/86591	489,3	17,53		X	X		X
517.2/117545	667,5	22,20		X	X		X
680.4/154636	800,7	30,02		X	X		X
840.7/191068	1083,3	38,22		X	X		X
1061.4/241227	1400,4	49,03		X	X		X
1530.9/347932	2014,8	71,60		X	X		X



Donghua Nickel Plated Roller Chains are developed to offer good wear and corrosion resistance. For special applications we deliver Chemical Nickel Plating on request. All Donghua roller chains are: Pre-loaded, Fatigue resistant, Wear resistant and Pre-lubricated. Donghua simplex, duplex and triplex roller chains are manufactured according to ISO 606 DIN8187, standard pre-loaded, pre-lubricated, do have seamless rollers and are marked with production batch code number for complete traceability. All Donghua roller chains are sealed in plastic bags and packed in cardboard boxes with clear ISO 606 DIN descriptions and safety instructions. Standard packaging size is 5 meter box, reels are available on request. Cut to length service is available on request. Several test certificates like breaking load, length tolerance and material analyses are possible and available on request. Rollers chains which are needed for 'run as pairs' applications can be matched as pairs on request. DIN, 1/2DIN and 1/3DIN length tolerance are possible, please ask us for a quotation. For high temperature, low temperature, food application or special environments different kind of special lubricants are available. Please ask our sales team for any special needs. For drive chain calculation and right dimension check, please contact our engineering department, also see drive chain calculation data sheet on page 301. By filling this data sheet and sending this to our engineering department you will receive a detailed drive chain calculation including life time expectation. Sprockets are available for all roller chains, with pilot bore, fixed bore, keyway, setscrew or bearing bore with grooves. Standard toothing, hardened toothing or special toothing are possible with pilot bore, fixed bore or taper bush. Chain tools, tensioners and chain lubricants please see page 302-310.





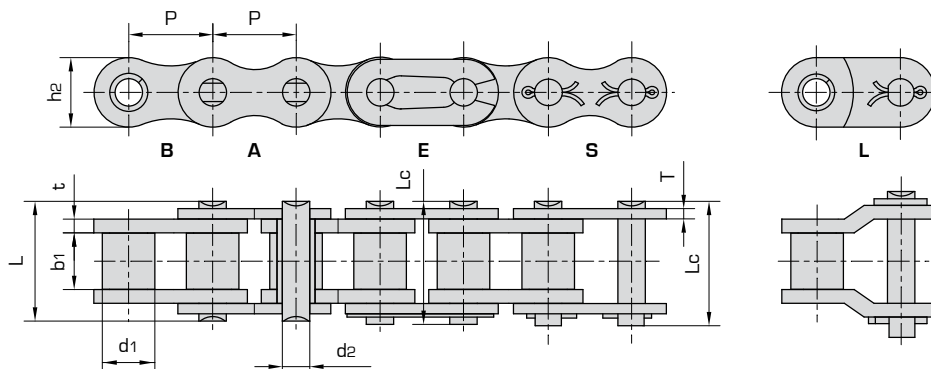
Short pitch precision roller chains (B series)

Zinc Plated

Simplex roller chains & bush chains

Part nr.	DIN/ISO 606 Chain no.	Pitch	Roller diameter	Width between inner plates	Pin diameter	Pin length		Inner plate depth	Plate thickness
		P	d1 max	b1 min	d2 max	L max	Lc max	h2 max	T max
		mm	mm	mm	mm	mm	mm	mm	mm
10004B-1ZP	04B-1ZP	6,000	4,00	2,80	1,85	6,80	7,8	5,00	0,60
10005B-1ZP	05B-1ZP	8,000	5,00	3,00	2,31	8,20	8,9	7,10	0,80
10006B-1ZP	*06B-1ZP	9,525	6,35	5,72	3,28	13,15	14,1	8,20	1,30
10008B-1ZP	08B-1ZP	12,700	8,51	7,75	4,45	16,70	18,2	11,80	1,60
10010B-1ZP	10B-1ZP	15,875	10,16	9,65	5,08	19,50	20,9	14,70	1,70
10012B-1ZP	12B-1ZP	19,050	12,07	11,68	5,72	22,50	24,2	16,00	1,85
10016B-1ZP	16B-1ZP	25,400	15,88	17,02	8,28	36,10	37,4	21,00	4,15/3,1
10020B-1ZP	20B-1ZP	31,750	19,05	19,56	10,19	41,30	45,0	26,40	4,50/3,5
10024B-1ZP	24B-1ZP	38,100	25,40	25,40	14,63	53,40	57,8	33,20	6,00/4,8
10028B-1ZP	28B-1ZP	44,450	27,94	30,99	15,90	65,10	69,5	36,70	7,50/6,0
10032B-1ZP	32B-1ZP	50,800	29,21	30,99	17,81	66,00	71,0	42,00	7,00/6,0
10040B-1ZP	40B-1ZP	63,500	39,37	38,10	22,89	82,20	89,2	52,96	8,50/8,0
10048B-1ZP	48B-1ZP	76,200	48,26	45,72	29,24	99,10	107,0	63,80	12,00/10,0
10056B-1ZP	56B-1ZP	88,900	53,98	53,34	34,32	114,60	123,0	77,80	13,50/12,0
10064B-1ZP	64B-1ZP	101,600	63,50	60,96	39,40	130,00	138,5	90,17	15,00/13,0
10072B-1ZP	72B-1ZP	114,300	72,39	68,58	44,48	147,40	156,4	103,60	17,00/15,0

* Straight side plates



Ultimate tensile strength	Average tensile strength	Weight per meter	Available chain parts						
Q min	Q0	q	E	S	L	C	A	B	
kN/lbf	kN	kg/m							
3,0/682	3,2	0,11	X		X	X	X	X	
5,0/1136	5,9	0,20	X		X	X	X	X	
9,0/2045	10,4	0,41	X		X	X	X	X	
18,0/4091	19,4	0,69	X	X	X	X	X	X	
22,4/5091	27,5	0,93	X	X	X	X	X	X	
29,0/6591	32,2	1,15	X	X	X	X	X	X	
60,0/13636	77,1	2,71	X	X	X	X	X	X	
95,0/21591	112,8	3,70	X	X	X		X	X	
160,0/36364	178,0	7,10		X	X		X	X	
200,0/45455	236,4	8,50		X	X		X	X	
250,0/56818	277,5	10,25		X	X		X	X	
355,0/80682	394,0	16,35		X	X		X	X	
560,0/127272	621,6	25,00		X	X		X	X	
850,0/193180	940,0	35,78		X	X		X	X	
1120,0/254544	1240,0	46,00		X	X		X	X	
1400,0/318180	1550,0	60,80		X	X		X	X	



Solution range



Donghua Zinc Plated Roller Chains are developed to offer good wear and good corrosion resistance. For special applications we deliver the new developed ZinTek Coating on request. All Donghua roller chains are: Pre-loaded, Fatigue resistant, Wear resistant and Pre-lubricated. Donghua simplex, duplex and triplex roller chains are manufactured according to ISO 606 DIN8187, standard pre-loaded, pre-lubricated, do have seamless rollers and are marked with production batch code number for complete traceability. All Donghua roller chains are sealed in plastic bags and packed in cardboard boxes with clear ISO 606 DIN descriptions and safety instructions. Standard packaging size is 5 meter box, reels are available on request. Cut to length service is available on request. Several test certificates like breaking load, length tolerance and material analyses are possible and available on request. Rollers chains which are needed for 'run as pairs' applications can be matched as pairs on request. DIN, 1/2DIN and 1/3DIN length tolerance are possible, please ask us for a quotation. For high temperature, low temperature, food application or special environments different kind of special lubricants are available. Please ask our sales team for any special needs. For drive chain calculation and right dimension check, please contact our engineering department, also see drive chain calculation data sheet on page 301. By filling this data sheet and sending this to our engineering department you will receive a detailed drive chain calculation including life time expectation. Sprockets are available for all roller chains, with pilot bore, fixed bore, keyway, setscrew or bearing bore with grooves. Standard toothing, hardened toothing or special toothing are possible with pilot bore, fixed bore or taper bush. Chain tools, tensioners and chain lubricants please see page 302-310.

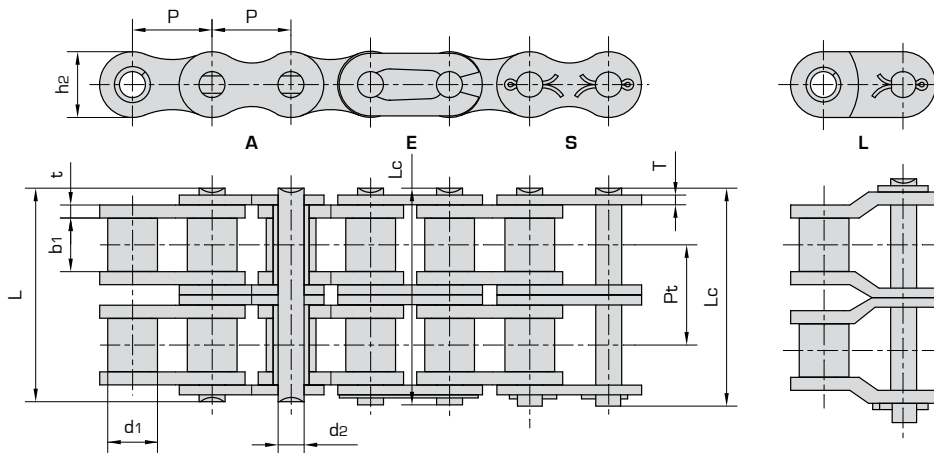
Short pitch precision roller chains (B series)

Zinc Plated

Duplex roller chains & bush chains

Part nr.	DIN/ISO 606 Chain no.	Pitch	Roller diameter	Width between inner plates	Pin diameter	Pin length	Inner plate depth	Plate thickness	Transverse pitch	
		P	d1 max	b1 min	d2 max	L max	Lc max	h2 max	T max	Pt
		mm	mm	mm	mm	mm	mm	mm	mm	mm
10004B-2ZP	04B-2ZP	6,000	4,00	2,80	1,85	13,2	14,2	5,00	0,60	5,50
10005B-2ZP	05B-2ZP	8,000	5,00	3,00	2,31	13,9	14,5	7,10	0,80	5,64
10006B-2ZP	*06B-2ZP	9,525	6,35	5,72	3,28	23,4	24,4	8,20	1,30	10,24
10008B-2ZP	08B-2ZP	12,700	8,51	7,75	4,45	31,0	32,2	11,80	1,60	13,92
10010B-2ZP	10B-2ZP	15,875	10,16	9,65	5,08	36,1	37,5	14,70	1,70	16,59
10012B-2ZP	12B-2ZP	19,050	12,07	11,68	5,72	42,0	43,6	16,00	1,85	19,46
10016B-2ZP	16B-2ZP	25,400	15,88	17,02	8,28	68,0	69,3	21,00	4,15/3,1	31,88
10020B-2ZP	20B-2ZP	31,750	19,05	19,56	10,19	77,8	81,5	26,40	4,50/3,5	36,45
10024B-2ZP	24B-2ZP	38,100	25,40	25,40	14,63	101,7	106,2	33,20	6,00/4,8	48,36
10028B-2ZP	28B-2ZP	44,450	27,94	30,99	15,90	124,6	129,1	36,70	7,50/6,0	59,56
10032B-2ZP	32B-2ZP	50,800	29,21	30,99	17,81	124,6	129,6	42,00	7,00/6,0	58,55
10040B-2ZP	40B-2ZP	63,500	39,37	38,10	22,89	154,5	161,5	52,96	8,50/8,0	72,29
10048B-2ZP	48B-2ZP	76,200	48,26	45,72	29,24	190,4	198,2	63,80	12,00/10,0	91,21
10056B-2ZP	56B-2ZP	88,900	53,98	53,34	34,32	221,2	229,6	77,80	13,50/12,0	106,60
10064B-2ZP	64B-2ZP	101,600	63,50	60,96	39,40	249,9	258,4	90,17	15,00/13,0	119,89
10072B-2ZP	72B-2ZP	114,300	72,39	68,58	44,48	283,7	292,7	103,60	17,00/15,0	136,27

* Straight side plates



Ultimate tensile strength	Average tensile strength	Weight per meter	Available chain parts				
Q min	Q0	q	E	S	L	C	A
kN/lbf	kN	kg/m					
5,0/1124	6,1	0,23	X		X	X	X
7,8/1773	10,2	0,33	X		X	X	X
16,9/3841	18,7	0,77	X		X	X	X
32,0/7273	38,7	1,34	X	X	X	X	X
44,5/10114	56,2	1,84	X	X	X	X	X
57,8/13136	66,1	2,31	X	X	X	X	X
106,0/24091	152,0	5,42	X	X	X	X	X
170,0/38636	229	7,20		X	X		X
280,0/63636	319,2	13,40		X	X		X
360,0/81818	406,8	16,60		X	X		X
450,0/102273	508,5	21,00		X	X		X
630,0/143182	711,9	32,00		X	X		X
1000,0/227272	1130,0	50,00		X	X		X
1600,0/363635	1760,0	71,48		X	X		X
2000,0/454544	2200,0	91,00		X	X		X
2500,0/568180	2750,0	120,40		X	X		X



Solution
range

Donghua Zinc Plated Roller Chains are developed to offer good wear and good corrosion resistance. For special applications we deliver the new developed ZinTek Coating on request. All Donghua roller chains are: Pre-loaded, Fatigue resistant, Wear resistant and Pre-lubricated. Donghua simplex, duplex and triplex roller chains are manufactured according to ISO 606 DIN8187, standard pre-loaded, pre-lubricated, do have seamless rollers and are marked with production batch code number for complete traceability. All Donghua roller chains are sealed in plastic bags and packed in cardboard boxes with clear ISO 606 DIN descriptions and safety instructions. Standard packaging size is 5 meter box, reels are available on request. Cut to length service is available on request. Several test certificates like breaking load, length tolerance and material analyses are possible and available on request. Rollers chains which are needed for 'run as pairs' applications can be matched as pairs on request. DIN, 1/2DIN and 1/3DIN length tolerance are possible, please ask us for a quotation. For high temperature, low temperature, food application or special environments different kind of special lubricants are available. Please ask our sales team for any special needs. For drive chain calculation and right dimension check, please contact our engineering department, also see drive chain calculation data sheet on page 301. By filling this data sheet and sending this to our engineering department you will receive a detailed drive chain calculation including life time expectation. Sprockets are available for all roller chains, with pilot bore, fixed bore, keyway, setscrew or bearing bore with grooves. Standard toothing, hardened toothing or special toothing are possible with pilot bore, fixed bore or taper bush. Chain tools, tensioners and chain lubricants please see page 302-310.

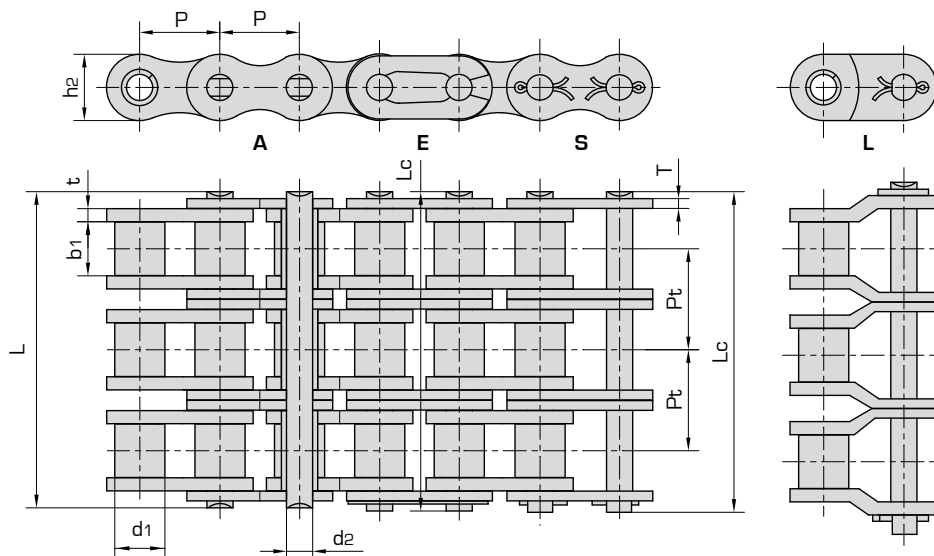
Short pitch precision roller chains (B series)

Zinc Plated

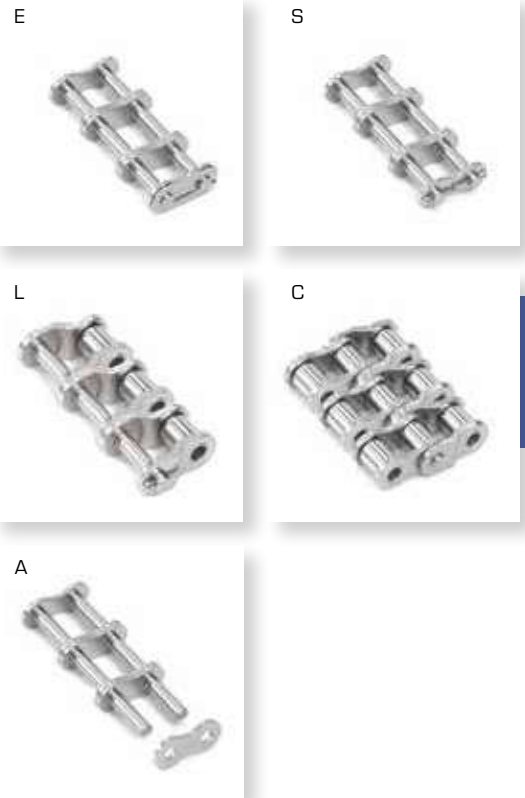
Triplex roller chains & bush chains

Part nr.	DIN/ISO 606 Chain no.	Pitch	Roller diameter	Width between inner plates	Pin diameter	Pin length	Inner plate depth	Plate thickness	Transverse pitch	
		P	d1 max	b1 min	d2 max	L max	Lc max	h2 max	T max	Pt
		mm	mm	mm	mm	mm	mm	mm	mm	mm
10005B-3ZP	05B-3ZP	8,000	5,00	3,00	2,31	19,5	20,2	7,10	0,80	5,64
10006B-3ZP	*06B-3ZP	9,525	6,35	5,72	3,28	33,5	34,6	8,20	1,30	10,24
10008B-3ZP	08B-3ZP	12,700	8,51	7,75	4,45	45,1	46,1	11,80	1,60	13,92
10010B-3ZP	10B-3ZP	15,875	10,16	9,65	5,08	52,7	54,1	14,70	1,70	16,59
10012B-3ZP	12B-3ZP	19,050	12,07	11,68	5,72	61,5	63,1	16,00	1,85	19,46
10016B-3ZP	16B-3ZP	25,400	15,88	17,02	8,28	99,8	101,2	21,00	4,15/3,1	31,88
10020B-3ZP	20B-3ZP	31,750	19,05	19,56	10,19	114,2	117,9	26,40	4,50/3,5	36,45
10024B-3ZP	24B-3ZP	38,100	25,40	25,40	14,63	150,1	154,6	33,20	6,00/4,8	48,36
10028B-3ZP	28B-3ZP	44,450	27,94	30,99	15,90	184,2	188,7	36,70	7,50/6,0	59,56
10032B-3ZP	32B-3ZP	50,800	29,21	30,99	17,81	183,2	188,2	42,00	7,00/6,0	58,55
10040B-3ZP	40B-3ZP	63,500	39,37	38,10	22,89	226,8	233,8	52,96	8,50/8,0	72,29
10048B-3ZP	48B-3ZP	76,200	48,26	45,72	29,24	281,6	289,4	63,80	12,00/10,0	91,21
10056B-3ZP	56B-3ZP	88,900	53,98	53,34	34,32	327,8	336,2	77,80	13,50/12,0	106,6
10064B-3ZP	64B-3ZP	101,60	63,50	60,96	39,40	369,8	378,3	90,17	15,00/13,0	119,89
10072B-3ZP	72B-3ZP	114,30	72,39	68,58	44,48	420,0	429,0	103,60	17,00/15,0	136,27

* Straight side plates



Ultimate tensile strength	Average tensile strength	Weight per meter	Available chain parts				
Q min	Q0	q	E	S	L	C	A
kN/lbf	kN	kg/m					
11,1/2523	13,8	0,48	X		X	X	X
24,9/5659	30,1	1,16	X		X	X	X
47,5/10795	57,8	2,03	X	X	X	X	X
66,7/15159	84,5	2,77	X	X	X	X	X
86,7/19705	101,8	3,46	X	X	X	X	X
160,0/36364	227,1	8,13	X	X	X	X	X
250,0/56818	334,3	10,82		X	X		X
425,0/96591	493,0	20,10		X	X		X
530,0/120454	609,5	24,92		X	X		X
670,0/152273	770,5	31,56		X	X		X
950,0/215909	1092,5	48,10		X	X		X
1500,0/340909	1710,0	75,00		X	X		X
2240,0/545450	2464,0	107,18		X	X		X
3000,0/681820	3300,0	136,00		X	X		X
3750,0/852270	4125,0	180,00		X	X		X



Donghua Zinc Plated Roller Chains are developed to offer good wear and good corrosion resistance. For special applications we deliver the new developed ZinTek Coating on request. All Donghua roller chains are: Pre-loaded, Fatigue resistant, Wear resistant and Pre-lubricated. Donghua simplex, duplex and triplex roller chains are manufactured according to ISO 606 DIN8187, standard pre-loaded, pre-lubricated, do have seamless rollers and are marked with production batch code number for complete traceability. All Donghua roller chains are sealed in plastic bags and packed in cardboard boxes with clear ISO 606 DIN descriptions and safety instructions. Standard packaging size is 5 meter box, reels are available on request. Cut to length service is available on request. Several test certificates like breaking load, length tolerance and material analyses are possible and available on request. Rollers chains which are needed for 'run as pairs' applications can be matched as pairs on request. DIN, 1/2DIN and 1/3DIN length tolerance are possible, please ask us for a quotation. For high temperature, low temperature, food application or special environments different kind of special lubricants are available. Please ask our sales team for any special needs. For drive chain calculation and right dimension check, please contact our engineering department, also see drive chain calculation data sheet on page 301. By filling this data sheet and sending this to our engineering department you will receive a detailed drive chain calculation including life time expectation. Sprockets are available for all roller chains, with pilot bore, fixed bore, keyway, setscrew or bearing bore with grooves. Standard toothing, hardened toothing or special toothing are possible with pilot bore, fixed bore or taper bush. Chain tools, tensioners and chain lubricants please see page 302-310.

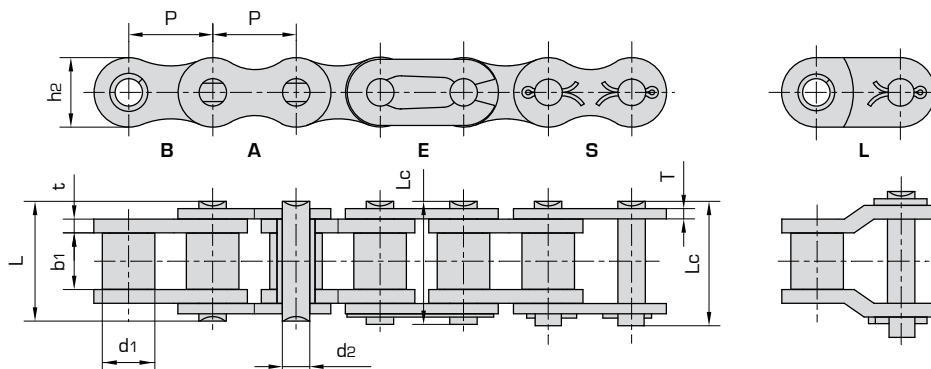
Short pitch precision roller chains (A series)

Zinc Plated

Simplex roller chains & bush chains

Part nr.	DIN/ISO 606 Chain no.	ANSI Chain no.	Pitch	Roller	Width	Pin	Pin length		Inner	Plate	
				diameter	between	diameter			plate	thickness	
					inner				depth		
			P	d1 max	b1 min	d2 max	L max	Lc max	h2 max	T max	
			mm	mm	mm	mm	mm	mm	mm	mm	mm
10015-1ZP	*03C	*15	4,763	2,48	2,38	1,62	6,10	6,90	4,30	0,60	
10025-1ZP	*04C-1	*25	6,350	3,30	3,18	2,31	7,90	8,40	6,00	0,80	
10035-1ZP	*06C-1	*35	9,525	5,08	4,77	3,58	12,40	13,17	9,00	1,30	
10041-1ZP	085-1	41	12,700	7,77	6,25	3,58	13,75	15,00	9,91	1,30	
10040-1ZP	08A-1	40	12,700	7,95	7,85	3,96	16,60	17,80	12,00	1,50	
10050-1ZP	10A-1	50	15,875	10,16	9,40	5,08	20,70	22,20	15,09	2,03	
10060-1ZP	12A-1	60	19,050	11,91	12,57	5,94	25,90	27,70	18,00	2,42	
10080-1ZP	16A-1	80	25,400	15,88	15,75	7,92	32,70	35,00	24,00	3,25	
100100-1ZP	20A-1	100	31,750	19,05	18,90	9,53	40,40	44,70	30,00	4,00	
100120-1ZP	24A-1	120	38,100	22,23	25,22	11,10	50,30	54,30	35,70	4,80	
100140-1ZP	28A-1	140	44,450	25,40	25,22	12,70	54,40	59,00	41,00	5,60	
100160-1ZP	32A-1	160	50,800	28,58	31,55	14,27	64,80	69,60	47,80	6,40	
100180-1ZP	36A-1	180	57,150	35,71	35,48	17,46	72,80	78,60	53,60	7,20	
100200-1ZP	40A-1	200	63,500	39,68	37,85	19,85	80,30	87,20	60,00	8,00	
100240-1ZP	48A-1	240	76,200	47,63	47,35	23,81	95,50	103,00	72,39	9,50	

* Bush chain: d1 in the table indicates the external diameter of the bush.



Ultimate tensile strength	Average tensile strength	Weight per meter	Available chain parts					
Q min	Q0	q	E	S	L	C	A	B
kN/lbf	kN	kg/m						
1,80/409	5,0	0,08	X			X	X	X
3,50/795	11,3	0,15	X			X	X	X
7,90/1795	18,6	0,33	X		X	X	X	X
6,67/1516	31,3	0,41	X		X	X	X	X
14,10/3205	43,2	0,62	X		X	X	X	X
22,20/5045	74,3	1,02	X		X	X	X	X
31,80/7227	107,6	1,50	X		X	X	X	X
56,70/12886	163,1	2,60	X		X	X	X	X
88,50/20114	222,5	3,91		X	X		X	X
127,00/28864	266,9	5,62		X	X		X	X
172,40/39182	361,1	7,50		X	X		X	X
226,80/51545	466,8	10,10		X	X		X	X
280,20/63682	671,6	13,45		X	X		X	X
353,80/80409	431,6	16,15		X	X		X	X
510,30/115977	622,5	23,20		X	X		X	X



Solution Range



Donghua Zinc Plated Roller Chains are developed to offer good wear and good corrosion resistance. For special applications we deliver the new developed ZinTek Coating on request. All Donghua roller chains are: Pre-loaded, Fatigue resistant, Wear resistant and Pre-lubricated. Donghua simplex, duplex and triplex roller chains are manufactured according to ISO 606 DIN8187, standard pre-loaded, pre-lubricated, do have seamless rollers and are marked with production batch code number for complete traceability. All Donghua roller chains are sealed in plastic bags and packed in cardboard boxes with clear ISO 606 DIN descriptions and safety instructions. Standard packaging size is 5 meter box, reels are available on request. Cut to length service is available on request. Several test certificates like breaking load, length tolerance and material analyses are possible and available on request. Rollers chains which are needed for 'run as pairs' applications can be matched as pairs on request. DIN, 1/2DIN and 1/3DIN length tolerance are possible, please ask us for a quotation. For high temperature, low temperature, food application or special environments different kind of special lubricants are available. Please ask our sales team for any special needs. For drive chain calculation and right dimension check, please contact our engineering department, also see drive chain calculation data sheet on page 301. By filling this data sheet and sending this to our engineering department you will receive a detailed drive chain calculation including life time expectation. Sprockets are available for all roller chains, with pilot bore, fixed bore, keyway, setscrew or bearing bore with grooves. Standard toothing, hardened toothing or special toothing are possible with pilot bore, fixed bore or taper bush. Chain tools, tensioners and chain lubricants please see page 302-310.

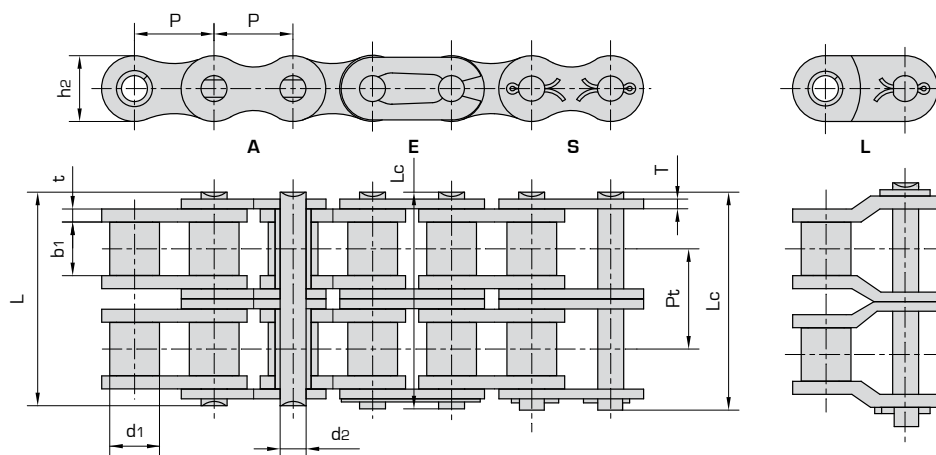
Short pitch precision roller chains (A series)

Zinc Plated

Duplex roller chains & bush chains

Part nr.	DIN/ISO 606 Chain no.	ANSI Chain no.	Pitch	Roller	Width	Pin	Pin length		Inner	Plate	Transverse pitch
				diameter	between	diameter	L max	Lc max	plate	thickness	
				d1 max	inner	d2 max	mm	mm	depth	mm	
			P	b1 min	d2 max	L max	Lc max	h2 max	T max		
			mm	mm	mm	mm	mm	mm	mm	mm	mm
10025-2ZP	*04C-2	*25-2	6,350	3,30	3,18	2,31	14,5	15,0	6,00	0,80	6,40
10035-2ZP	*06C-2	*35-2	9,525	5,08	4,77	3,58	22,5	23,3	9,00	1,30	10,13
10041-2ZP	085-2	41-2	12,700	7,77	6,25	3,58	25,7	26,9	9,91	1,30	11,95
10040-2ZP	08A-2	40-2	12,700	7,95	7,85	3,96	31,0	32,2	12,00	1,50	14,38
10050-2ZP	10A-2	50-2	15,875	10,16	9,40	5,08	38,9	40,4	15,09	2,03	18,11
10060-2ZP	12A-2	60-2	19,050	11,91	12,57	5,94	48,8	50,5	18,00	2,42	22,78
10080-2ZP	16A-2	80-2	25,400	15,88	15,75	7,92	62,7	64,3	24,00	3,25	29,29
100100-2ZP	20A-2	100-2	31,750	19,05	18,90	9,53	76,4	80,5	30,00	4,00	35,76
100120-2ZP	24A-2	120-2	38,100	22,23	25,22	11,10	95,8	99,7	35,70	4,80	45,44
100140-2ZP	28A-2	140-2	44,450	25,40	25,22	12,70	103,3	107,9	41,00	5,60	48,87
100160-2ZP	32A-2	160-2	50,800	28,58	31,55	14,27	123,3	128,1	47,80	6,40	58,55
100180-2ZP	36A-2	180-2	57,150	35,71	35,48	17,46	138,6	144,4	53,60	7,20	65,84
100200-2ZP	40A-2	200-2	63,500	39,68	37,85	19,85	151,9	158,8	60,00	8,00	71,55
100240-2ZP	48A-2	240-2	76,200	47,63	47,35	23,81	183,4	190,8	72,39	9,50	87,83

* Bush chain: d1 in the table indicates the external diameter of the bush.



Ultimate tensile strength	Average tensile strength	Weight per meter	Available chain parts				
Q min	Q0	q	E	S	L	C	A
kN/lbf	kN	kg/m					
7,00/1591	10,0	0,28	X			X	X
15,80/3591	22,3	0,63	X			X	X
13,34/3032	37,2	0,81	X		X	X	X
28,20/6409	62,6	1,12	X		X	X	X
44,40/10091	86,4	2,00	X		X	X	X
63,60/14455	148,6	2,92	X		X	X	X
113,40/25773	215,2	5,15	X		X	X	X
177,00/40227	326,2	7,80		X	X		X
254,00/57727	445,0	11,70		X	X		X
344,80/78364	533,8	15,14		X	X		X
453,60/103091	722,2	20,14		X	X		X
560,50/127386	933,6	29,22		X	X		X
707,60/160818	1343,2	32,24		X	X		X
1020,60/213955	1255,3	45,23		X	X		X



Solution range

Donghua Zinc Plated Roller Chains are developed to offer good wear and good corrosion resistance. For special applications we deliver the new developed ZinTek Coating on request. All Donghua roller chains are: Pre-loaded, Fatigue resistant, Wear resistant and Pre-lubricated. Donghua simplex, duplex and triplex roller chains are manufactured according to ISO 606 DIN8187, standard pre-loaded, pre-lubricated, do have seamless rollers and are marked with production batch code number for complete traceability. All Donghua roller chains are sealed in plastic bags and packed in cardboard boxes with clear ISO 606 DIN descriptions and safety instructions. Standard packaging size is 5 meter box, reels are available on request. Cut to length service is available on request. Several test certificates like breaking load, length tolerance and material analyses are possible and available on request. Rollers chains which are needed for 'run as pairs' applications can be matched as pairs on request. DIN, 1/2DIN and 1/3DIN length tolerance are possible, please ask us for a quotation. For high temperature, low temperature, food application or special environments different kind of special lubricants are available. Please ask our sales team for any special needs. For drive chain calculation and right dimension check, please contact our engineering department, also see drive chain calculation data sheet on page 301. By filling this data sheet and sending this to our engineering department you will receive a detailed drive chain calculation including life time expectation. Sprockets are available for all roller chains, with pilot bore, fixed bore, keyway, setscrew or bearing bore with grooves. Standard toothing, hardened toothing or special toothing are possible with pilot bore, fixed bore or taper bush. Chain tools, tensioners and chain lubricants please see page 302-310.

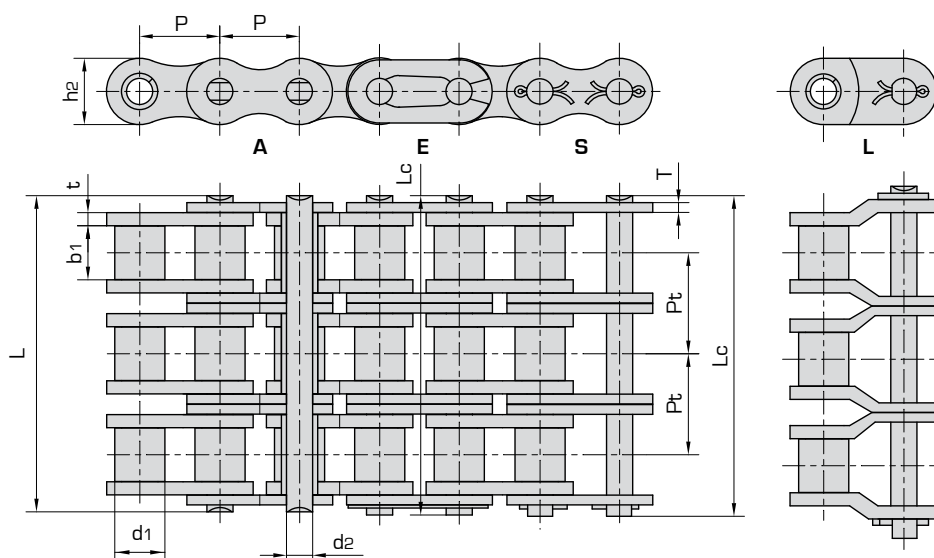
Short pitch precision roller chains (A series)

Zinc Plated

Triplex roller chains & bush chains

Part nr.	DIN/ISO 606 Chain no.	ANSI Chain no.	Pitch	Roller	Width	Pin	Pin length		Inner	Plate	Transverse pitch
				diameter	between	diameter	L max	Lc max	plate	thickness	
				d1 max	inner	d2 max	mm	mm	depth	mm	
			P	b1 min	d2 max	L max	Lc max	h2 max	T max		
			mm	mm	mm	mm	mm	mm	mm	mm	mm
10025-3ZP	*04C-3	*25-3	6,350	3,30	3,18	2,31	21,0	21,5	6,00	0,80	6,40
10035-3ZP	*06C-3	*35-3	9,525	5,08	4,77	3,58	32,7	33,5	9,00	1,30	10,13
10040-3ZP	08A-3	40-3	12,700	7,95	7,85	3,96	45,4	46,6	12,00	1,50	14,38
10050-3ZP	10A-3	50-3	15,875	10,16	9,40	5,08	57,0	58,5	15,09	2,03	18,11
10060-3ZP	12A-3	60-3	19,050	11,91	12,57	5,94	71,5	73,3	18,00	2,42	22,78
10080-3ZP	16A-3	80-3	25,400	15,88	15,75	7,92	91,7	93,6	24,00	3,25	29,29
100100-3ZP	20A-3	100-3	31,750	19,05	18,90	9,53	112,2	116,3	30,00	4,00	35,76
100120-3ZP	24A-3	120-3	38,100	22,23	25,22	11,10	141,4	145,2	35,70	4,80	45,44
100140-3ZP	28A-3	140-3	44,450	25,40	25,22	12,70	152,2	156,8	41,00	5,60	48,87
100160-3ZP	32A-3	160-3	50,800	28,58	31,55	14,27	181,8	186,6	47,80	6,40	58,55
100180-3ZP	36A-3	180-3	57,150	35,71	35,48	17,46	204,4	210,2	53,60	7,20	65,84
100200-3ZP	40A-3	200-3	63,500	39,68	37,85	19,85	223,5	230,4	60,00	8,00	71,55
100240-3ZP	48A-3	240-3	76,200	47,63	47,35	23,81	271,3	278,6	72,39	9,50	87,83

* Bush chain: d1 in the table indicates the external diameter of the bush.



Ultimate tensile strength	Average tensile strength	Weight per meter	Available chain parts				
Q min	Q0	q	E	S	L	C	A
kN/lbf	kN	kg/m					
10,5/2386	15,0	0,44	X			X	X
23,7/5386	33,9	1,05	X			X	X
42,3/9614	55,8	1,90	X		X		X
66,6/15136	93,9	3,09	X		X		X
95,4/21682	129,6	4,54	X		X		X
170,1/38659	222,9	7,89	X		X		X
265,5/60341	322,8	11,77		X	X		X
381,0/86591	489,3	17,53		X	X		X
517,2/117545	667,5	22,20		X	X		X
680,4/154636	800,7	30,02		X	X		X
840,7/191068	1083,3	38,22		X	X		X
1061,4/241227	1400,4	49,03		X	X		X
1530,9/347932	2014,8	71,60		X	X		X



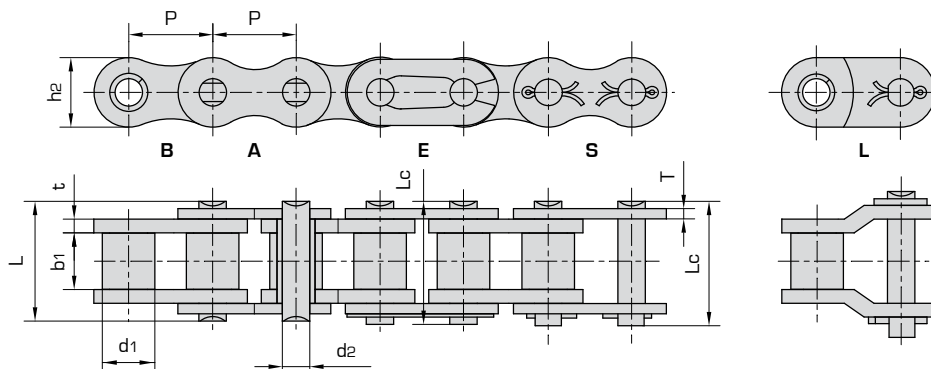
Donghua Zinc Plated Roller Chains are developed to offer good wear and good corrosion resistance. For special applications we deliver the new developed ZinTek Coating on request. All Donghua roller chains are: Pre-loaded, Fatigue resistant, Wear resistant and Pre-lubricated. Donghua simplex, duplex and triplex roller chains are manufactured according to ISO 606 DIN8187, standard pre-loaded, pre-lubricated, do have seamless rollers and are marked with production batch code number for complete traceability. All Donghua roller chains are sealed in plastic bags and packed in cardboard boxes with clear ISO 606 DIN descriptions and safety instructions. Standard packaging size is 5 meter box, reels are available on request. Cut to length service is available on request. Several test certificates like breaking load, length tolerance and material analyses are possible and available on request. Rollers chains which are needed for 'run as pairs' applications can be matched as pairs on request. DIN, 1/2DIN and 1/3DIN length tolerance are possible, please ask us for a quotation. For high temperature, low temperature, food application or special environments different kind of special lubricants are available. Please ask our sales team for any special needs. For drive chain calculation and right dimension check, please contact our engineering department, also see drive chain calculation data sheet on page 301. By filling this data sheet and sending this to our engineering department you will receive a detailed drive chain calculation including life time expectation. Sprockets are available for all roller chains, with pilot bore, fixed bore, keyway, setscrew or bearing bore with grooves. Standard toothing, hardened toothing or special toothing are possible with pilot bore, fixed bore or taper bush. Chain tools, tensioners and chain lubricants please see page 302-310.

Short pitch precision roller chains (B series) ZT Plated (ZinTek)

Simplex roller chains

Part nr.	DIN/ISO 606 Chain no.	Pitch	Roller diameter	Width between inner plates	Pin diameter	Pin length		Inner plate depth	Plate thickness
		P	d1 max	b1 min	d2 max	L max	Lc max	h2 max	T max
		mm	mm	mm	mm	mm	mm	mm	mm
10004B-1ZT	04B-1ZT	6,000	4,00	2,80	1,85	6,80	7,8	5,00	0,60
10005B-1ZT	05B-1ZT	8,000	5,00	3,00	2,31	8,20	8,9	7,10	0,80
10006B-1ZT	*06B-1ZT	9,525	6,35	5,72	3,28	13,15	14,1	8,20	1,30
10008B-1ZT	08B-1ZT	12,700	8,51	7,75	4,45	16,70	18,2	11,80	1,60
10010B-1ZT	10B-1ZT	15,875	10,16	9,65	5,08	19,50	20,9	14,70	1,70
10012B-1ZT	12B-1ZT	19,050	12,07	11,68	5,72	22,50	24,2	16,00	1,85
10016B-1ZT	16B-1ZT	25,400	15,88	17,02	8,28	36,10	37,4	21,00	4,15/3,1
10020B-1ZT	20B-1ZT	31,750	19,05	19,56	10,19	41,30	45,0	26,40	4,50/3,5
10024B-1ZT	24B-1ZT	38,100	25,40	25,40	14,63	53,40	57,8	33,20	6,00/4,8
10028B-1ZT	28B-1ZT	44,450	27,94	30,99	15,90	65,10	69,5	36,70	7,50/6,0
10032B-1ZT	32B-1ZT	50,800	29,21	30,99	17,81	66,00	71,0	42,00	7,00/6,0
10040B-1ZT	40B-1ZT	63,500	39,37	38,10	22,89	82,20	89,2	52,96	8,50/8,0
10048B-1ZT	48B-1ZT	76,200	48,26	45,72	29,24	99,10	107,0	63,80	12,00/10,0
10056B-1ZT	56B-1ZT	88,900	53,98	53,34	34,32	114,60	123,0	77,80	13,50/12,0
10064B-1ZT	64B-1ZT	101,600	63,50	60,96	39,40	130,00	138,5	90,17	15,00/13,0
10072B-1ZT	72B-1ZT	114,300	72,39	68,58	44,48	147,40	156,4	103,60	17,00/15,0

* Straight side plates



Ultimate tensile strength	Average tensile strength	Weight per meter	Available chain parts					
Q min	Q0	q	E	S	L	C	A	B
kN/lbf	kN	kg/m						
3,0/682	3,2	0,11	X		X		X	
5,0/1136	5,9	0,20	X		X		X	
9,0/2045	10,4	0,41	X		X		X	
18,0/4091	19,4	0,69	X		X		X	
22,4/5091	27,5	0,93	X		X		X	
29,0/6591	32,2	1,15	X		X		X	
60,0/13636	77,1	2,71	X		X		X	
95,0/21591	112,8	3,70	X		X		X	
160,0/36364	178,0	7,10			X		X	
200,0/45455	236,4	8,50			X		X	
250,0/56818	277,5	10,25			X		X	
355,0/80682	394,0	16,35			X		X	
560,0/127272	621,6	25,00			X		X	
850,0/193180	940,0	35,78			X		X	
1120,0/254544	1240,0	46,00			X		X	
1400,0/318180	1550,0	60,80			X		X	



Solution range

Donghua ZT coated roller chains are coated by a zinc aluminium compound. This coating is also known as Zintek coating layer and is used with many different steel product to protect the steel product from corrosion. This ZT coating has proven to have extremely high corrosion resistance. Even compared to zinc plating or nickel plating which are standard finish treatments used for roller chains and conveyor chain, this ZT coating gives a better corrosion protection in many corrosive environments. All Donghua roller chains are: Pre-loaded, Fatigue resistant, Wear resistant and Pre-lubricated. Donghua simplex, duplex and triplex roller chains are manufactured according to ISO 606 DIN8187, standard pre-loaded, pre-lubricated, do have seamless rollers and are marked with production batch code number for complete traceability. All Donghua roller chains are sealed in plastic bags and packed in cardboard boxes with clear ISO 606 DIN descriptions and safety instructions. Standard packaging size is 5 meter box, reels are available on request. Cut to length service is available on request. Several test certificates like breaking load, length tolerance and material analyses are possible and available on request. Rollers chains which are needed for 'run as pairs' applications can be matched as pairs on request. DIN, 1/2DIN and 1/3DIN length tolerance are possible, please ask us for a quotation. For high temperature, low temperature, food application or special environments different kind of special lubricants are available. Please ask our sales team for any special needs. For drive chain calculation and right dimension check, please contact our engineering department, also see drive chain calculation data sheet on page 301. By filling this data sheet and sending this to our engineering department you will receive a detailed drive chain calculation including life time expectation. Sprockets are available for all roller chains, with pilot bore, fixed bore, keyway, setscrew or bearing bore with grooves. Standard toothing, hardened toothing or special toothing are possible with pilot bore, fixed bore or taper bush. Chain tools, tensioners and chain lubricants please see page 302-310.

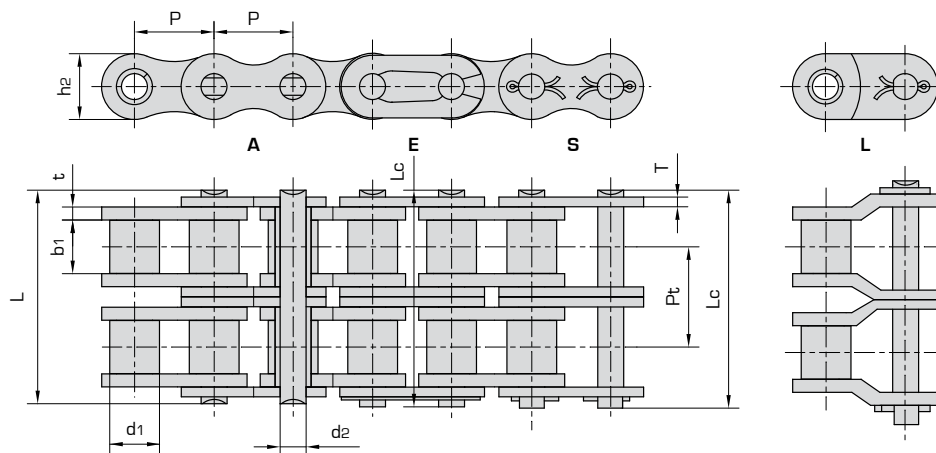
Short pitch precision roller chains (B series)

ZT Plated (ZinTek)

Duplex roller chains

Part nr.	DIN/ISO 606 Chain no.	Pitch	Roller diameter	Width between inner plates	Pin diameter	Pin length	Inner plate depth	Plate thickness	Transverse pitch	
		P	d1 max	b1 min	d2 max	L max	Lc max	h2 max	T max	Pt
		mm	mm	mm	mm	mm	mm	mm	mm	mm
10004B-2ZT	04B-2ZT	6,000	4,00	2,80	1,85	13,2	14,2	5,00	0,60	5,50
10005B-2ZT	05B-2ZT	8,000	5,00	3,00	2,31	13,9	14,5	7,10	0,80	5,64
10006B-2ZT	*06B-2ZT	9,525	6,35	5,72	3,28	23,4	24,4	8,20	1,30	10,24
10008B-2ZT	08B-2ZT	12,700	8,51	7,75	4,45	31,0	32,2	11,80	1,60	13,92
10010B-2ZT	10B-2ZT	15,875	10,16	9,65	5,08	36,1	37,5	14,70	1,70	16,59
10012B-2ZT	12B-2ZT	19,050	12,07	11,68	5,72	42,0	43,6	16,00	1,85	19,46
10016B-2ZT	16B-2ZT	25,400	15,88	17,02	8,28	68,0	69,3	21,00	4,15/3,1	31,88
10020B-2ZT	20B-2ZT	31,750	19,05	19,56	10,19	77,8	81,5	26,40	4,50/3,5	36,45
10024B-2ZT	24B-2ZT	38,100	25,40	25,40	14,63	101,7	106,2	33,20	6,00/4,8	48,36
10028B-2ZT	28B-2ZT	44,450	27,94	30,99	15,90	124,6	129,1	36,70	7,50/6,0	59,56
10032B-2ZT	32B-2ZT	50,800	29,21	30,99	17,81	124,6	129,6	42,00	7,00/6,0	58,55
10040B-2ZT	40B-2ZT	63,500	39,37	38,10	22,89	154,5	161,5	52,96	8,50/8,0	72,29
10048B-2ZT	48B-2ZT	76,200	48,26	45,72	29,24	190,4	198,2	63,80	12,00/10,0	91,21
10056B-2ZT	56B-2ZT	88,900	53,98	53,34	34,32	221,2	229,6	77,80	13,50/12,0	106,60
10064B-2ZT	64B-2ZT	101,600	63,50	60,96	39,40	249,9	258,4	90,17	15,00/13,0	119,89
10072B-2ZT	72B-2ZT	114,300	72,39	68,58	44,48	283,7	292,7	103,60	17,00/15,0	136,27

* Straight side plates



Ultimate tensile strength	Average tensile strength	Weight per meter	Available chain parts				
Q min	Q0	q	E	S	L	C	A
kN/lbf	kN	kg/m					
5,0/1124	6,10	0,23	X		X		X
7,8/1773	10,2	0,33	X		X		X
16,9/3841	18,7	0,77	X		X		X
32,0/7273	38,7	1,34	X		X		X
44,5/10114	56,2	1,84	X		X		X
57,8/13136	66,1	2,31	X		X		X
106,0/24091	152,0	5,42	X		X		X
170,0/38636	229	7,20			X		X
280,0/63636	319,2	13,40			X		X
360,0/81818	406,8	16,60			X		X
450,0/102273	508,5	21,00			X		X
630,0/143182	711,9	32,00			X		X
1000,0/227272	1130,0	50,00			X		X
1600,0/363635	1760,0	71,48			X		X
2000,0/454544	2200,0	91,00			X		X
2500,0/568180	2750,0	120,40			X		X



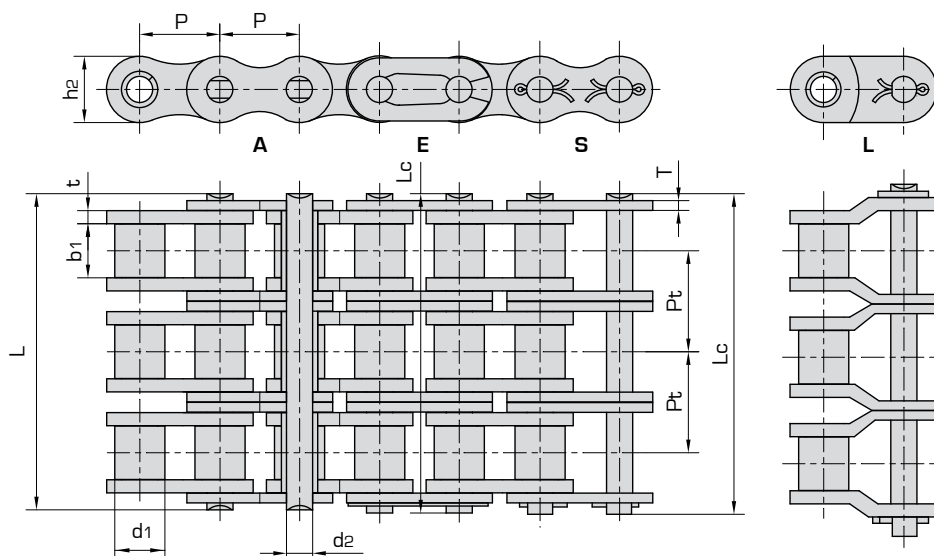
Donghua ZT coated roller chains are coated by a zinc aluminium compound. This coating is also known as Zintek coating layer and is used with many different steel product to protect the steel product from corrosion. This ZT coating has proven to have extremely high corrosion resistance. Even compared to zinc plating or nickel plating which are standard finish treatments used for roller chains and conveyor chain, this ZT coating gives a better corrosion protection in many corrosive environments. All Donghua roller chains are: Pre-loaded, Fatigue resistant, Wear resistant and Pre-lubricated. Donghua simplex, duplex and triplex roller chains are manufactured according to ISO 606 DIN8187, standard pre-loaded, pre-lubricated, do have seamless rollers and are marked with production batch code number for complete traceability. All Donghua roller chains are sealed in plastic bags and packed in cardboard boxes with clear ISO 606 DIN descriptions and safety instructions. Standard packaging size is 5 meter box, reels are available on request. Cut to length service is available on request. Several test certificates like breaking load, length tolerance and material analyses are possible and available on request. Rollers chains which are needed for 'run as pairs' applications can be matched as pairs on request. DIN, 1/2DIN and 1/3DIN length tolerance are possible, please ask us for a quotation. For high temperature, low temperature, food application or special environments different kind of special lubricants are available. Please ask our sales team for any special needs. For drive chain calculation and right dimension check, please contact our engineering department, also see drive chain calculation data sheet on page 301. By filling this data sheet and sending this to our engineering department you will receive a detailed drive chain calculation including life time expectation. Sprockets are available for all roller chains, with pilot bore, fixed bore, keyway, setscrew or bearing bore with grooves. Standard toothing, hardened toothing or special toothing are possible with pilot bore, fixed bore or taper bush. Chain tools, tensioners and chain lubricants please see page 302-310.

Short pitch precision roller chains (B series) ZT Plated (ZinTek)

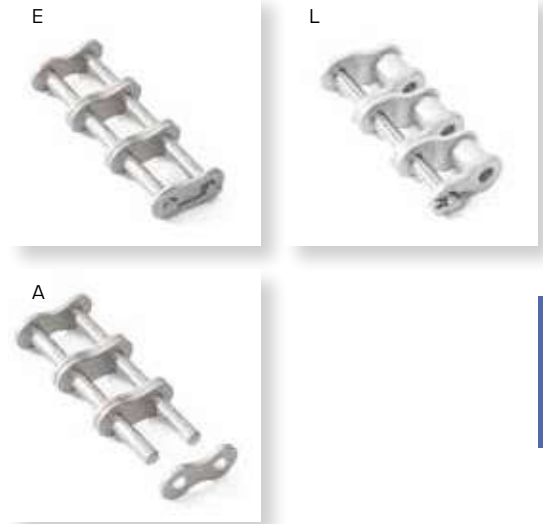
Triplex roller chains

Part nr.	DIN/ISO 606 Chain no.	Pitch	Roller diameter	Width between inner plates	Pin diameter	Pin length	Inner plate depth	Plate thickness	Transverse pitch	
		P	d1 max	b1 min	d2 max	L max	Lc max	h2 max	T max	Pt
		mm	mm	mm	mm	mm	mm	mm	mm	mm
10005B-3ZT	05B-3ZT	8,000	5,00	3,00	2,31	19,5	20,2	7,10	0,80	5,64
10006B-3ZT	*06B-3ZT	9,525	6,35	5,72	3,28	33,5	34,6	8,20	1,30	10,24
10008B-3ZT	08B-3ZT	12,700	8,51	7,75	4,45	45,1	46,1	11,80	1,60	13,92
10010B-3ZT	10B-3ZT	15,875	10,16	9,65	5,08	52,7	54,1	14,70	1,70	16,59
10012B-3ZT	12B-3ZT	19,050	12,07	11,68	5,72	61,5	63,1	16,00	1,85	19,46
10016B-3ZT	16B-3ZT	25,400	15,88	17,02	8,28	99,8	101,2	21,00	4,15/3,1	31,88
10020B-3ZT	20B-3ZT	31,750	19,05	19,56	10,19	114,2	117,9	26,40	4,50/3,5	36,45
10024B-3ZT	24B-3ZT	38,100	25,40	25,40	14,63	150,1	154,6	33,20	6,00/4,8	48,36
10028B-3ZT	28B-3ZT	44,450	27,94	30,99	15,90	184,2	188,7	36,70	7,50/6,0	59,56
10032B-3ZT	32B-3ZT	50,800	29,21	30,99	17,81	183,2	188,2	42,00	7,00/6,0	58,55
10040B-3ZT	40B-3ZT	63,500	39,37	38,10	22,89	226,8	233,8	52,96	8,50/8,0	72,29
10048B-3ZT	48B-3ZT	76,200	48,26	45,72	29,24	281,6	289,4	63,80	12,00/10,0	91,21
10056B-3ZT	56B-3ZT	88,900	53,98	53,34	34,32	327,8	336,2	77,80	13,50/12,0	106,6
10064B-3ZT	64B-3ZT	101,60	63,50	60,96	39,40	369,8	378,3	90,17	15,00/13,0	119,89
10072B-3ZT	72B-3ZT	114,30	72,39	68,58	44,48	420,0	429,0	103,60	17,00/15,0	136,27

* Straight side plates



Ultimate tensile strength	Average tensile strength	Weight per meter	Available chain parts				
Q min	Q0	q	E	S	L	C	A
kN/lbf	kN	kg/m					
11,1/2523	13,8	0,48	X		X		X
24,9/5659	30,1	1,16	X		X		X
47,5/10795	57,8	2,03	X		X		X
66,7/15159	84,5	2,77	X		X		X
86,7/19705	101,8	3,46	X		X		X
160,0/36364	227,1	8,13	X		X		X
250,0/56818	334,3	10,82			X		X
425,0/96591	493,0	20,10			X		X
530,0/120454	609,5	24,92			X		X
670,0/152273	770,5	31,56			X		X
950,0/215909	1092,5	48,10			X		X
1500,0/340909	1710,0	75,00			X		X
2240,0/545450	2464,0	107,18			X		X
3000,0/681820	3300,0	136,00			X		X
3750,0/852270	4125,0	180,00			X		X



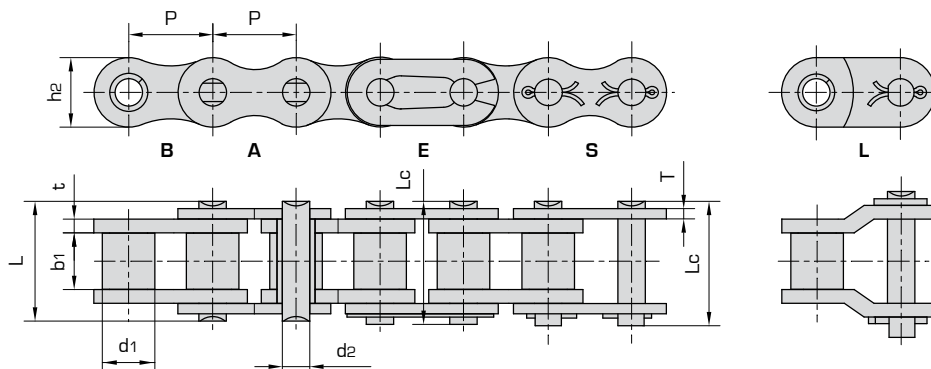
Donghua ZT coated roller chains are coated by a zinc aluminium compound. This coating is also known as Zintek coating layer and is used with many different steel product to protect the steel product from corrosion. This ZT coating has proven to have extremely high corrosion resistance. Even compared to zinc plating or nickel plating which are standard finish treatments used for roller chains and conveyor chain, this ZT coating gives a better corrosion protection in many corrosive environments. All Donghua roller chains are: Pre-loaded, Fatigue resistant, Wear resistant and Pre-lubricated. Donghua simplex, duplex and triplex roller chains are manufactured according to ISO 606 DIN8187, standard pre-loaded, pre-lubricated, do have seamless rollers and are marked with production batch code number for complete traceability. All Donghua roller chains are sealed in plastic bags and packed in cardboard boxes with clear ISO 606 DIN descriptions and safety instructions. Standard packaging size is 5 meter box, reels are available on request. Cut to length service is available on request. Several test certificates like breaking load, length tolerance and material analyses are possible and available on request. Rollers chains which are needed for 'run as pairs' applications can be matched as pairs on request. DIN, 1/2DIN and 1/3DIN length tolerance are possible, please ask us for a quotation. For high temperature, low temperature, food application or special environments different kind of special lubricants are available. Please ask our sales team for any special needs. For drive chain calculation and right dimension check, please contact our engineering department, also see drive chain calculation data sheet on page 301. By filling this data sheet and sending this to our engineering department you will receive a detailed drive chain calculation including life time expectation. Sprockets are available for all roller chains, with pilot bore, fixed bore, keyway, setscrew or bearing bore with grooves. Standard toothing, hardened toothing or special toothing are possible with pilot bore, fixed bore or taper bush. Chain tools, tensioners and chain lubricants please see page 302-310.

Short pitch precision roller chains (A series) ZT Plated (Zintek)

Simplex roller chains & bush chains

Part nr.	DIN/ISO 606 Chain no.	ANSI Chain no.	Pitch	Roller	Width	Pin	Pin length		Inner	Plate	
				diameter	between	diameter	L max	Lc max	plate	thickness	
				d1 max	inner	d2 max	mm	mm	depth	mm	
			P	b1 min	d2 max	L max	Lc max	h2 max	T max		
			mm	mm	mm	mm	mm	mm	mm	mm	mm
10025-1ZT	*04C-1	*25	6,350	3,30	3,18	2,31	7,90	8,40	6,00	0,80	
10035-1ZT	*06C-1	*35	9,525	5,08	4,77	3,58	12,40	13,17	9,00	1,30	
10041-1ZT	085-1	41	12,700	7,77	6,25	3,58	13,75	15,00	9,91	1,30	
10040-1ZT	08A-1	40	12,700	7,95	7,85	3,96	16,60	17,80	12,00	1,50	
10050-1ZT	10A-1	50	15,875	10,16	9,40	5,08	20,70	22,20	15,09	2,03	
10060-1ZT	12A-1	60	19,050	11,91	12,57	5,94	25,90	27,70	18,00	2,42	
10080-1ZT	16A-1	80	25,400	15,88	15,75	7,92	32,70	35,00	24,00	3,25	
100100-1ZT	20A-1	100	31,750	19,05	18,90	9,53	40,40	44,70	30,00	4,00	
100120-1ZT	24A-1	120	38,100	22,23	25,22	11,10	50,30	54,30	35,70	4,80	
100140-1ZT	28A-1	140	44,450	25,40	25,22	12,70	54,40	59,00	41,00	5,60	
100160-1ZT	32A-1	160	50,800	28,58	31,55	14,27	64,80	69,60	47,80	6,40	
100180-1ZT	36A-1	180	57,150	35,71	35,48	17,46	72,80	78,60	53,60	7,20	
100200-1ZT	40A-1	200	63,500	39,68	37,85	19,85	80,30	87,20	60,00	8,00	
100240-1ZT	48A-1	240	76,200	47,63	47,35	23,81	95,50	103,00	72,39	9,50	

* Bush chain: d1 in the table indicates the external diameter of the bush.



Ultimate tensile strength	Average tensile strength	Weight per meter	Available chain parts					
Q min	Q0	q	E	S	L	C	A	B
kN/lbf	kN	kg/m						
3,50/795	5,0	0,15	X				X	
7,90/1795	11,3	0,33	X		X		X	
6,67/1516	18,6	0,41	X		X		X	
14,10/3205	31,3	0,62	X		X		X	
22,20/5045	43,2	1,02	X		X		X	
31,80/7227	74,3	1,50	X		X		X	
56,70/12886	107,6	2,60	X		X		X	
88,50/20114	163,1	3,91			X		X	
127,00/28864	222,5	5,62			X		X	
172,40/39182	266,9	7,50			X		X	
226,80/51545	361,1	10,10			X		X	
280,20/63682	466,8	13,45			X		X	
353,80/80409	671,6	16,15			X		X	
510,30/115977	622,5	23,20			X		X	



Donghua ZT coated roller chains are coated by a zinc aluminium compound. This coating is also known as Zintek coating layer and is used with many different steel product to protect the steel product from corrosion. This ZT coating has proven to have extremely high corrosion resistance. Even compared to zinc plating or nickel plating which are standard finish treatments used for roller chains and conveyor chain, this ZT coating gives a better corrosion protection in many corrosive environments. All Donghua roller chains are: Pre-loaded, Fatigue resistant, Wear resistant and Pre-lubricated. Donghua simplex, duplex and triplex roller chains are manufactured according to ISO 606 DIN8187, standard pre-loaded, pre-lubricated, do have seamless rollers and are marked with production batch code number for complete traceability. All Donghua roller chains are sealed in plastic bags and packed in cardboard boxes with clear ISO 606 DIN descriptions and safety instructions. Standard packaging size is 5 meter box, reels are available on request. Cut to length service is available on request. Several test certificates like breaking load, length tolerance and material analyses are possible and available on request. Rollers chains which are needed for 'run as pairs' applications can be matched as pairs on request. DIN, 1/2DIN and 1/3DIN length tolerance are possible, please ask us for a quotation. For high temperature, low temperature, food application or special environments different kind of special lubricants are available. Please ask our sales team for any special needs. For drive chain calculation and right dimension check, please contact our engineering department, also see drive chain calculation data sheet on page 301. By filling this data sheet and sending this to our engineering department you will receive a detailed drive chain calculation including life time expectation. Sprockets are available for all roller chains, with pilot bore, fixed bore, keyway, setscrew or bearing bore with grooves. Standard toothing, hardened toothing or special toothing are possible with pilot bore, fixed bore or taper bush. Chain tools, tensioners and chain lubricants please see page 302-310.

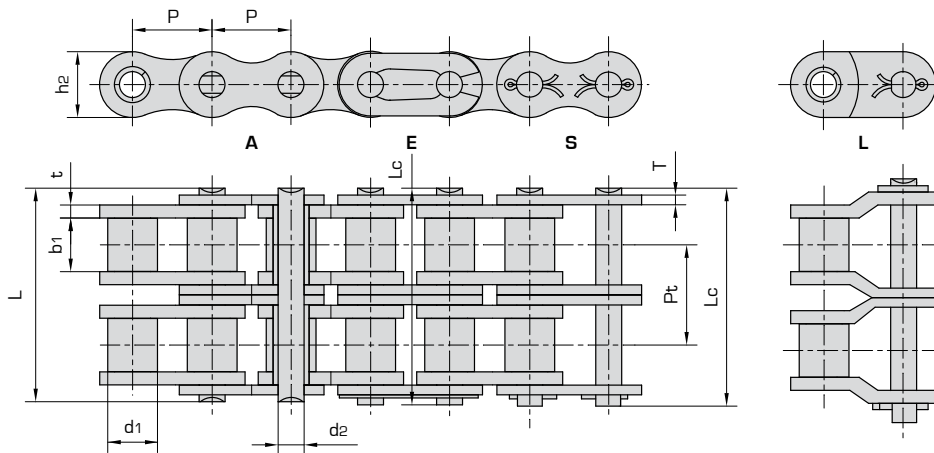
Solution Range

Short pitch precision roller chains (A series) ZT Plated (Zintek)

Duplex roller chains & bush chains

Part nr.	DIN/ISO 606 Chain no.	ANSI Chain no.	Pitch	Roller	Width	Pin	Pin length		Inner	Plate	Transverse pitch
				diameter	between	diameter	L max	Lc max	plate	thickness	
				d1 max	inner	d2 max	mm	mm	depth	mm	
			P	b1 min	d2 max	L max	Lc max	h2 max	T max		
			mm	mm	mm	mm	mm	mm	mm	mm	mm
10025-2ZT	*04C-2	*25-2	6,350	3,30	3,18	2,31	14,5	15,0	6,00	0,80	6,40
10035-2ZT	*06C-2	*35-2	9,525	5,08	4,77	3,58	22,5	23,3	9,00	1,30	10,13
10041-1ZT	085-2	41-2	12,700	7,77	6,25	3,58	25,7	26,9	9,91	1,30	11,95
10040-2ZT	08A-2	40-2	12,700	7,95	7,85	3,96	31,0	32,2	12,00	1,50	14,38
10050-2ZT	10A-2	50-2	15,875	10,16	9,40	5,08	38,9	40,4	15,09	2,03	18,11
10060-2ZT	12A-2	60-2	19,050	11,91	12,57	5,94	48,8	50,5	18,00	2,42	22,78
10080-2ZT	16A-2	80-2	25,400	15,88	15,75	7,92	62,7	64,3	24,00	3,25	29,29
100100-2ZT	20A-2	100-2	31,750	19,05	18,90	9,53	76,4	80,5	30,00	4,00	35,76
100120-2ZT	24A-2	120-2	38,100	22,23	25,22	11,10	95,8	99,7	35,70	4,80	45,44
100140-2ZT	28A-2	140-2	44,450	25,40	25,22	12,70	103,3	107,9	41,00	5,60	48,87
100160-2ZT	32A-2	160-2	50,800	28,58	31,55	14,27	123,3	128,1	47,80	6,40	58,55
100180-2ZT	36A-2	180-2	57,150	35,71	35,48	17,46	138,6	144,4	53,60	7,20	65,84
100200-2ZT	40A-2	200-2	63,500	39,68	37,85	19,85	151,9	158,8	60,00	8,00	71,55
100240-2ZT	48A-2	240-2	76,200	47,63	47,35	23,81	183,4	190,8	72,39	9,50	87,83

* Bush chain: d1 in the table indicates the external diameter of the bush.



Ultimate tensile strength	Average tensile strength	Weight per meter	Available chain parts				
Q min	Q0	q	E	S	L	C	A
kN/lbf	kN	kg/m					
7,00/1591	8,6	0,28	X				X
15,80/3591	19,7	0,63	X				X
13,34/3032	16,9	0,81	X		X		X
28,20/6409	35,9	1,12	X		X		X
44,40/10091	58,1	2,00	X		X		X
63,60/14455	82,1	2,92	X		X		X
113,40/25773	141,8	5,15	X		X		X
177,00/40227	219,4	7,80			X		X
254,00/57727	314,9	11,70			X		X
344,80/78364	427,5	15,14			X		X
453,60/103091	562,4	20,14			X		X
560,50/127386	695,0	29,22			X		X
707,60/160818	877,4	32,24			X		X
1020,60/213955	1255,3	45,23			X		X



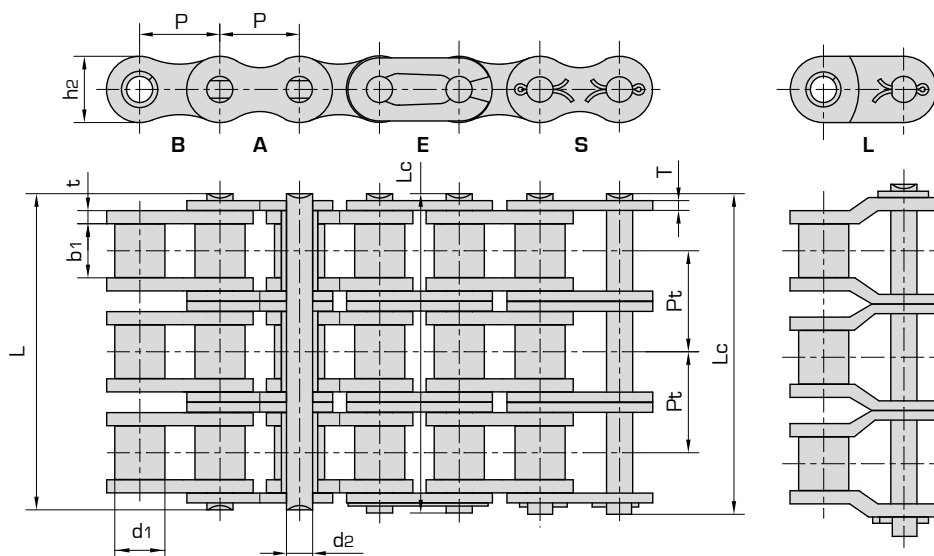
Donghua ZT coated roller chains are coated by a zinc aluminium compound. This coating is also known as Zintek coating layer and is used with many different steel product to protect the steel product from corrosion. This ZT coating has proven to have extremely high corrosion resistance. Even compared to zinc plating or nickel plating which are standard finish treatments used for roller chains and conveyor chain, this ZT coating gives a better corrosion protection in many corrosive environments. All Donghua roller chains are: Pre-loaded, Fatigue resistant, Wear resistant and Pre-lubricated. Donghua simplex, duplex and triplex roller chains are manufactured according to ISO 606 DIN8187, standard pre-loaded, pre-lubricated, do have seamless rollers and are marked with production batch code number for complete traceability. All Donghua roller chains are sealed in plastic bags and packed in cardboard boxes with clear ISO 606 DIN descriptions and safety instructions. Standard packaging size is 5 meter box, reels are available on request. Cut to length service is available on request. Several test certificates like breaking load, length tolerance and material analyses are possible and available on request. Rollers chains which are needed for 'run as pairs' applications can be matched as pairs on request. DIN, 1/2DIN and 1/3DIN length tolerance are possible, please ask us for a quotation. For high temperature, low temperature, food application or special environments different kind of special lubricants are available. Please ask our sales team for any special needs. For drive chain calculation and right dimension check, please contact our engineering department, also see drive chain calculation data sheet on page 301. By filling this data sheet and sending this to our engineering department you will receive a detailed drive chain calculation including life time expectation. Sprockets are available for all roller chains, with pilot bore, fixed bore, keyway, setscrew or bearing bore with grooves. Standard tooththing, hardened tooththing or special tooththing are possible with pilot bore, fixed bore or taper bush. Chain tools, tensioners and chain lubricants please see page 302-310.

Short pitch precision roller chains (A series) ZT Plated (ZinTek)

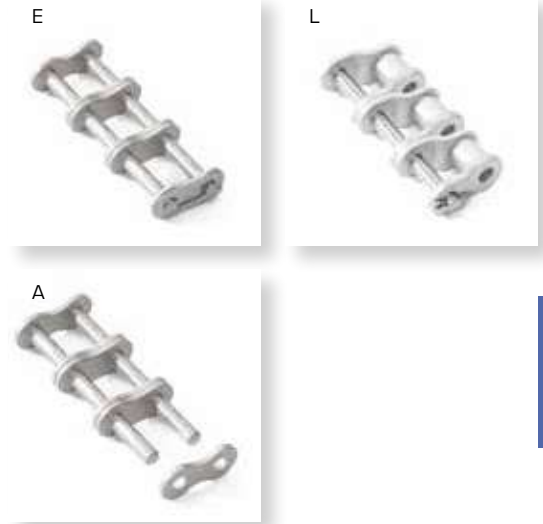
Triplex roller chains & bush chains

Part nr.	DIN/ISO 606 Chain no.	ANSI Chain no.	Pitch	Roller	Width	Pin	Pin length		Inner	Plate	Transverse pitch
				diameter	between	diameter	L max	Lc max	plate	thickness	
				d1 max	inner	d2 max	mm	mm	depth	mm	
			P	b1 min	d2 max	L max	Lc max	h2 max	T max		
			mm	mm	mm	mm	mm	mm	mm	mm	mm
10025-3ZT	*04C-3	*25-3	6,350	3,30	3,18	2,31	21,0	21,5	6,00	0,80	6,40
10035-3ZT	*06C-3	*35-3	9,525	5,08	4,77	3,58	32,7	33,5	9,00	1,30	10,13
10040-3ZT	08A-3	40-3	12,700	7,95	7,85	3,96	45,4	46,6	12,00	1,50	14,38
10050-3ZT	10A-3	50-3	15,875	10,16	9,40	5,08	57,0	58,5	15,09	2,03	18,11
10060-3ZT	12A-3	60-3	19,050	11,91	12,57	5,94	71,5	73,3	18,00	2,42	22,78
10080-3ZT	16A-3	80-3	25,400	15,88	15,75	7,92	91,7	93,6	24,00	3,25	29,29
100100-3ZT	20A-3	100-3	31,750	19,05	18,90	9,53	112,2	116,3	30,00	4,00	35,76
100120-3ZT	24A-3	120-3	38,100	22,23	25,22	11,10	141,4	145,2	35,70	4,80	45,44
100140-3ZT	28A-3	140-3	44,450	25,40	25,22	12,70	152,2	156,8	41,00	5,60	48,87
100160-3ZT	32A-3	160-3	50,800	28,58	31,55	14,27	181,8	186,6	47,80	6,40	58,55
100180-3ZT	36A-3	180-3	57,150	35,71	35,48	17,46	204,4	210,2	53,60	7,20	65,84
100200-3ZT	40A-3	200-3	63,500	39,68	37,85	19,85	223,5	230,4	60,00	8,00	71,55
100240-3ZT	48A-3	240-3	76,200	47,63	47,35	23,81	271,3	278,6	72,39	9,50	87,83

* Bush chain: d1 in the table indicates the external diameter of the bush.



Ultimate tensile strength	Average tensile strength	Weight per meter	Available chain parts						
Q min	Q0	q	E	S	L	C	A	B	
kN/lbf	kN	kg/m							
10,5/2386	15,0	0,44	X				X		
23,7/5386	33,9	1,05	X				X		
42,3/9614	55,8	1,90	X		X		X		
66,6/15136	93,9	3,09	X		X		X		
95,4/21682	129,6	4,54	X		X		X		
170,1/38659	222,9	7,89	X		X		X		
265,5/60341	322,8	11,77			X		X		
381,0/86591	489,3	17,53			X		X		
517,2/117545	667,5	22,20			X		X		
680,4/154636	800,7	30,02			X		X		
840,7/191068	1083,3	38,22			X		X		
1061,4/241227	1400,4	49,03			X		X		
1530,9/347932	2014,8	71,60			X		X		



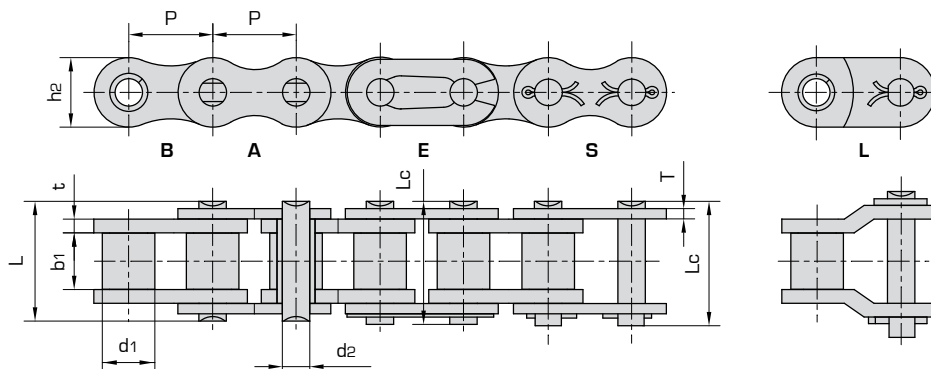
Donghua ZT coated roller chains are coated by a zinc aluminium compound. This coating is also known as Zintek coating layer and is used with many different steel product to protect the steel product from corrosion. This ZT coating has proven to have extremely high corrosion resistance. Even compared to zinc plating or nickel plating which are standard finish treatments used for roller chains and conveyor chain, this ZT coating gives a better corrosion protection in many corrosive environments. All Donghua roller chains are: Pre-loaded, Fatigue resistant, Wear resistant and Pre-lubricated. Donghua simplex, duplex and triplex roller chains are manufactured according to ISO 606 DIN8187, standard pre-loaded, pre-lubricated, do have seamless rollers and are marked with production batch code number for complete traceability. All Donghua roller chains are sealed in plastic bags and packed in cardboard boxes with clear ISO 606 DIN descriptions and safety instructions. Standard packaging size is 5 meter box, reels are available on request. Cut to length service is available on request. Several test certificates like breaking load, length tolerance and material analyses are possible and available on request. Rollers chains which are needed for 'run as pairs' applications can be matched as pairs on request. DIN, 1/2DIN and 1/3DIN length tolerance are possible, please ask us for a quotation. For high temperature, low temperature, food application or special environments different kind of special lubricants are available. Please ask our sales team for any special needs. For drive chain calculation and right dimension check, please contact our engineering department, also see drive chain calculation data sheet on page 301. By filling this data sheet and sending this to our engineering department you will receive a detailed drive chain calculation including life time expectation. Sprockets are available for all roller chains, with pilot bore, fixed bore, keyway, setscrew or bearing bore with grooves. Standard toothing, hardened toothing or special toothing are possible with pilot bore, fixed bore or taper bush. Chain tools, tensioners and chain lubricants please see page 302-310.

Short pitch precision roller chains (B series) ZT+ Plated (ZinTek including Chemical Nickel Plated Pins)

Simplex roller chains

Part nr.	DIN/ISO 606 Chain no.	Pitch	Roller diameter	Width between inner plates	Pin diameter	Pin length		Inner plate depth	Plate thickness
		P	d1 max	b1 min	d2 max	L max	Lc max	h2 max	T max
		mm	mm	mm	mm	mm	mm	mm	mm
10004B-1ZT+	04B-1ZT+	6,000	4,00	2,80	1,85	6,80	7,8	5,00	0,60
10005B-1ZT+	05B-1ZT+	8,000	5,00	3,00	2,31	8,20	8,9	7,10	0,80
10006B-1ZT+	*06B-1ZT+	9,525	6,35	5,72	3,28	13,15	14,1	8,20	1,30
10008B-1ZT+	08B-1ZT+	12,700	8,51	7,75	4,45	16,70	18,2	11,80	1,60
10010B-1ZT+	10B-1ZT+	15,875	10,16	9,65	5,08	19,50	20,9	14,70	1,70
10012B-1ZT+	12B-1ZT+	19,050	12,07	11,68	5,72	22,50	24,2	16,00	1,85
10016B-1ZT+	16B-1ZT+	25,400	15,88	17,02	8,28	36,10	37,4	21,00	4,15/3,1
10020B-1ZT+	20B-1ZT+	31,750	19,05	19,56	10,19	41,30	45,0	26,40	4,50/3,5
10024B-1ZT+	24B-1ZT+	38,100	25,40	25,40	14,63	53,40	57,8	33,20	6,00/4,8
10028B-1ZT+	28B-1ZT+	44,450	27,94	30,99	15,90	65,10	69,5	36,70	7,50/6,0
10032B-1ZT+	32B-1ZT+	50,800	29,21	30,99	17,81	66,00	71,0	42,00	7,00/6,0
10040B-1ZT+	40B-1ZT+	63,500	39,37	38,10	22,89	82,20	89,2	52,96	8,50/8,0
10048B-1ZT+	48B-1ZT+	76,200	48,26	45,72	29,24	99,10	107,0	63,80	12,00/10,0
10056B-1ZT+	56B-1ZT+	88,900	53,98	53,34	34,32	114,60	123,0	77,80	13,50/12,0
10064B-1ZT+	64B-1ZT+	101,600	63,50	60,96	39,40	130,00	138,5	90,17	15,00/13,0
10072B-1ZT+	72B-1ZT+	114,300	72,39	68,58	44,48	147,40	156,4	103,60	17,00/15,0

* Straight side plates



Ultimate tensile strength	Average tensile strength	Weight per meter	Available chain parts						
Q min Q min	Q0 Q0	q q							
kN/lbf	kN	kg/m	E	S	L	C	A	B	
3,0/682	3,2	0,11	X		X		X		
5,0/1136	5,9	0,20	X		X		X		
9,0/2045	10,4	0,41	X		X		X		
18,0/4091	19,4	0,69	X		X		X		
22,4/5091	27,5	0,93	X		X		X		
29,0/6591	32,2	1,15	X		X		X		
60,0/13636	77,1	2,71	X		X		X		
95,0/21591	112,8	3,70	X		X		X		
160,0/36364	178,0	7,10			X		X		
200,0/45455	236,4	8,50			X		X		
250,0/56818	277,5	10,25			X		X		
355,0/80682	394,0	16,35			X		X		
560,0/127272	621,6	25,00			X		X		
850,0/193180	940,0	35,78			X		X		
112,0/254544	1240,0	46,00			X		X		
1400,0/318180	1550,0	60,80			X		X		



Solution range

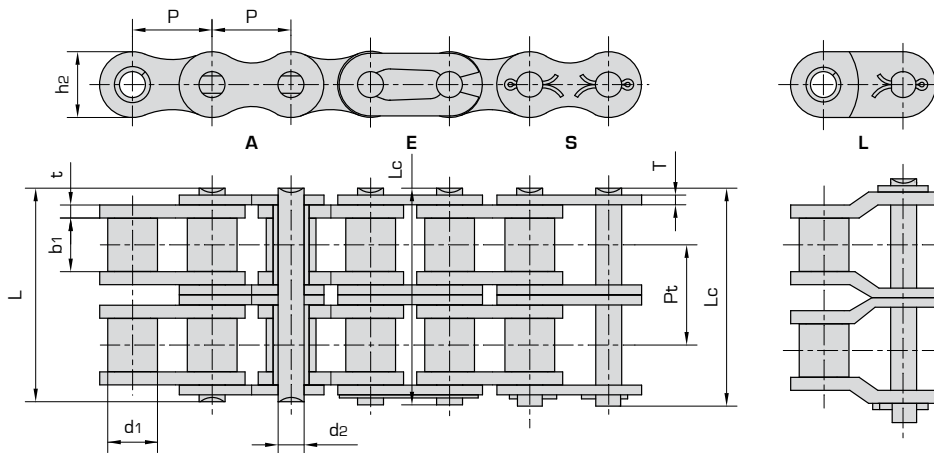
Donghua ZT+ roller chains are coated with the exact same zinc aluminium compound. Only the pins are chemical nickel plated. These chemical nickel plated pins do have a surface hardness of 1,000 HV and offer improved wear resistance. The corrosion resistance of these chemical nickel plated pins is excellent. All Donghua roller chains are: Pre-loaded, Fatigue resistant, Wear resistant and Pre-lubricated. Donghua simplex, duplex and triplex roller chains are manufactured according to ISO 606 DIN8187, standard pre-loaded, pre-lubricated, do have seamless rollers and are marked with production batch code number for complete traceability. All Donghua roller chains are sealed in plastic bags and packed in cardboard boxes with clear ISO 606 DIN descriptions and safety instructions. Standard packaging size is 5 meter box, reels are available on request. Cut to length service is available on request. Several test certificates like breaking load, length tolerance and material analyses are possible and available on request. Rollers chains which are needed for 'run as pairs' applications can be matched as pairs on request. DIN, 1/2DIN and 1/3DIN length tolerance are possible, please ask us for a quotation. For high temperature, low temperature, food application or special environments different kind of special lubricants are available. Please ask our sales team for any special needs. For drive chain calculation and right dimension check, please contact our engineering department, also see drive chain calculation data sheet on page 301. By filling this data sheet and sending this to our engineering department you will receive a detailed drive chain calculation including life time expectation. Sprockets are available for all roller chains, with pilot bore, fixed bore, keyway, setscrew or bearing bore with grooves. Standard toothing, hardened toothing or special toothing are possible with pilot bore, fixed bore or taper bush. Chain tools, tensioners and chain lubricants please see page 302-310.

Short pitch precision roller chains (B series) ZT+ Plated (ZinTek including Chemical Nickel Plated Pins)

Duplex roller chains

Part nr.	DIN/ISO 606 Chain no.	Pitch	Roller diameter	Width between inner plates	Pin diameter	Pin length	Inner plate depth	Plate thickness	Transverse pitch	
		P	d1 max	b1 min	d2 max	L max	Lc max	h2 max	T max	Pt
		mm	mm	mm	mm	mm	mm	mm	mm	mm
10004B-2ZT+	04B-2ZT+	6,000	4,00	2,80	1,85	13,20	14,20	5,00	0,60	5,50
10005B-2ZT+	05B-2ZT+	8,000	5,00	3,00	2,31	13,9	14,5	7,10	0,80	5,64
10006B-2ZT+	*06B-2ZT+	9,525	6,35	5,72	3,28	23,4	24,4	8,20	1,30	10,24
10008B-2ZT+	08B-2ZT+	12,700	8,51	7,75	4,45	31,0	32,2	11,80	1,60	13,92
10010B-2ZT+	10B-2ZT+	15,875	10,16	9,65	5,08	36,1	37,5	14,70	1,70	16,59
10012B-2ZT+	12B-2ZT+	19,050	12,07	11,68	5,72	42,0	43,6	16,00	1,85	19,46
10016B-2ZT+	16B-2ZT+	25,400	15,88	17,02	8,28	68,0	69,3	21,00	4,15/3,1	31,88
10020B-2ZT+	20B-2ZT+	31,750	19,05	19,56	10,19	77,8	81,5	26,40	4,50/3,5	36,45
10024B-2ZT+	24B-2ZT+	38,100	25,40	25,40	14,63	101,7	106,2	33,20	6,00/4,8	48,36
10028B-2ZT+	28B-2ZT+	44,450	27,94	30,99	15,90	124,6	129,1	36,70	7,50/6,0	59,56
10032B-2ZT+	32B-2ZT+	50,800	29,21	30,99	17,81	124,6	129,6	42,00	7,00/6,0	58,55
10040B-2ZT+	40B-2ZT+	63,500	39,37	38,10	22,89	154,5	161,5	52,96	8,50/8,0	72,29
10048B-2ZT+	48B-2ZT+	76,200	48,26	45,72	29,24	190,4	198,2	63,80	12,00/10,0	91,21
10056B-2ZT+	56B-2ZT+	88,900	53,98	53,34	34,32	221,2	229,6	77,80	13,50/12,0	106,60
10064B-2ZT+	64B-2ZT+	101,600	63,50	60,96	39,40	249,9	258,4	90,17	15,00/13,0	119,89
10072B-2ZT+	72B-2ZT+	114,300	72,39	68,58	44,48	283,7	292,7	103,60	17,00/15,0	136,27

* Straight side plates



Ultimate tensile strength	Average tensile strength	Weight per meter	Available chain parts				
Q min	Q0	q	E	S	L	C	A
kN/lbf	kN	kg/m					
5,0/1124	6,10	0,23	X		X		X
7,8/1773	10,2	0,33	X		X		X
16,9/3841	18,7	0,77	X		X		X
32,0/7273	38,7	1,34	X		X		X
44,5/10114	56,2	1,84	X		X		X
57,8/13136	66,1	2,31	X		X		X
106,0/24091	152,0	5,42	X		X		X
170,0/38636	229	7,20			X		X
280,0/63636	319,2	13,40			X		X
360,0/81818	406,8	16,60			X		X
450,0/102273	508,5	21,00			X		X
630,0/143182	711,9	32,00			X		X
1000,0/227272	1130,0	50,00			X		X
1600,0/363635	1760,0	71,48			X		X
2000,0/454544	2200,0	91,00			X		X
2500,0/568180	2750,0	120,40			X		X



Solution range



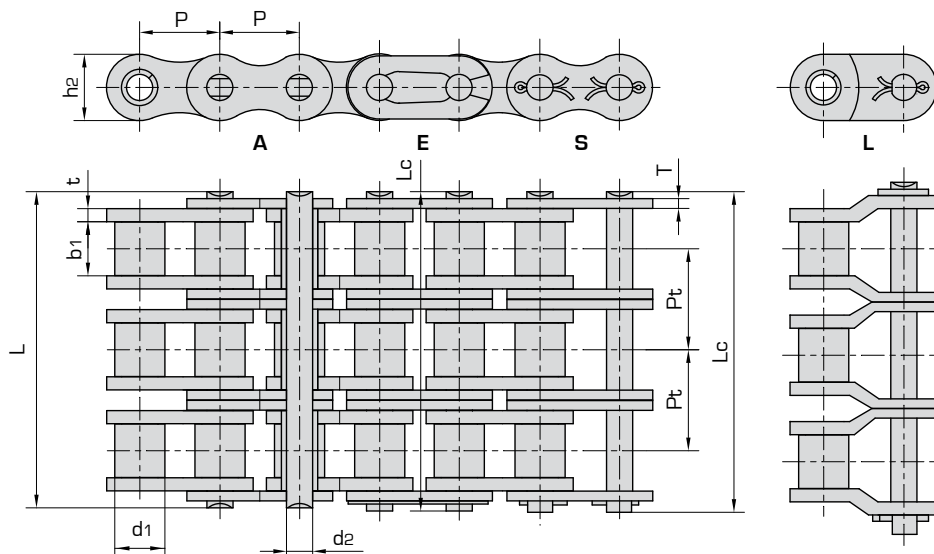
Donghua ZT+ roller chains are coated with the exact same zinc aluminium compound. Only the pins are chemical nickel plated. These chemical nickel plated pins do have a surface hardness of 1,000 HV and offer improved wear resistance. The corrosion resistance of these chemical nickel plated pins is excellent. All Donghua roller chains are: Pre-loaded, Fatigue resistant, Wear resistant and Pre-lubricated. Donghua simplex, duplex and triplex roller chains are manufactured according to ISO 606 DIN8187, standard pre-loaded, pre-lubricated, do have seamless rollers and are marked with production batch code number for complete traceability. All Donghua roller chains are sealed in plastic bags and packed in cardboard boxes with clear ISO 606 DIN descriptions and safety instructions. Standard packaging size is 5 meter box, reels are available on request. Cut to length service is available on request. Several test certificates like breaking load, length tolerance and material analyses are possible and available on request. Rollers chains which are needed for 'run as pairs' applications can be matched as pairs on request. DIN, 1/2DIN and 1/3DIN length tolerance are possible, please ask us for a quotation. For high temperature, low temperature, food application or special environments different kind of special lubricants are available. Please ask our sales team for any special needs. For drive chain calculation and right dimension check, please contact our engineering department, also see drive chain calculation data sheet on page 301. By filling this data sheet and sending this to our engineering department you will receive a detailed drive chain calculation including life time expectation. Sprockets are available for all roller chains, with pilot bore, fixed bore, keyway, setscrew or bearing bore with grooves. Standard toothing, hardened toothing or special toothing are possible with pilot bore, fixed bore or taper bush. Chain tools, tensioners and chain lubricants please see page 302-310.

Short pitch precision roller chains (B series) ZT+ Plated (ZinTek including Chemical Nickel Plated Pins)

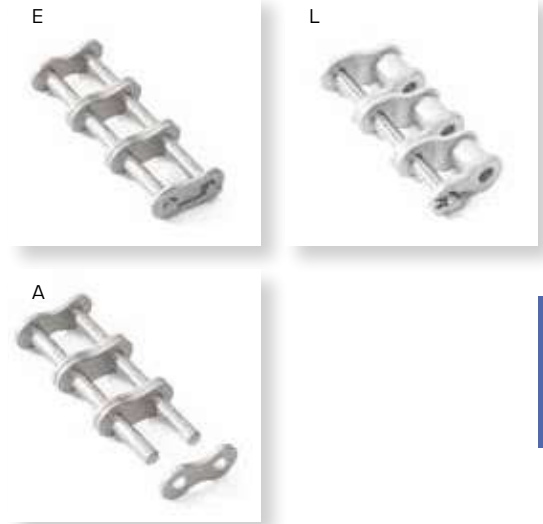
Triplex roller chains

Part nr.	DIN/ISO 606 Chain no.	Pitch	Roller diameter	Width between inner plates	Pin diameter	Pin length	Inner plate depth	Plate thickness	Transverse pitch	
		P	d1 max	b1 min	d2 max	L max	Lc max	h2 max	T max	Pt
		mm	mm	mm	mm	mm	mm	mm	mm	mm
10005B-3ZT+	05B-3ZT+	8,000	5,00	3,00	2,31	19,5	20,2	7,10	0,80	5,64
10006B-3ZT+	*06B-3ZT+	9,525	6,35	5,72	3,28	33,5	34,6	8,20	1,30	10,24
10008B-3ZT+	08B-3ZT+	12,700	8,51	7,75	4,45	45,1	46,1	11,80	1,60	13,92
10010B-3ZT+	10B-3ZT+	15,875	10,16	9,65	5,08	52,7	54,1	14,70	1,70	16,59
10012B-3ZT+	12B-3ZT+	19,050	12,07	11,68	5,72	61,5	63,1	16,00	1,85	19,46
10016B-3ZT+	16B-3ZT+	25,400	15,88	17,02	8,28	99,8	101,2	21,00	4,15/3,1	31,88
10020B-3ZT+	20B-3ZT+	31,750	19,05	19,56	10,19	114,2	117,9	26,40	4,50/3,5	36,45
10024B-3ZT+	24B-3ZT+	38,100	25,40	25,40	14,63	150,1	154,6	33,20	6,00/4,8	48,36
10028B-3ZT+	28B-3ZT+	44,450	27,94	30,99	15,90	184,2	188,7	36,70	7,50/6,0	59,56
10032B-3ZT+	32B-3ZT+	50,800	29,21	30,99	17,81	183,2	188,2	42,00	7,00/6,0	58,55
10040B-3ZT+	40B-3ZT+	63,500	39,37	38,10	22,89	226,8	233,8	52,96	8,50/8,0	72,29
10048B-3ZT+	48B-3ZT+	76,200	48,26	45,72	29,24	281,6	289,4	63,80	12,00/10,0	91,21
10056B-3ZT+	56B-3ZT+	88,900	53,98	53,34	34,32	327,8	336,2	77,80	13,50/12,0	106,6
10064B-3ZT+	64B-3ZT+	101,60	63,50	60,96	39,40	369,8	378,3	90,17	15,00/13,0	119,89
10072B-3ZT+	72B-3ZT+	114,30	72,39	68,58	44,48	420,0	429,0	103,60	17,00/15,0	136,27

* Straight side plates



Ultimate tensile strength	Average tensile strength	Weight per meter	Available chain parts				
Q min	Q0	q	E	S	L	C	A
kN/lbf	kN	kg/m					
11,1/2523	13,8	0,48	X		X		X
24,9/5659	30,1	1,16	X		X		X
47,5/10795	57,8	2,03	X		X		X
66,7/15159	84,5	2,77	X		X		X
86,7/19705	101,8	3,46	X		X		X
160,0/36364	203,7	8,13	X		X		X
250,0/56818	290,0	10,82			X		X
425,0/96591	493,0	20,10			X		X
530,0/120454	609,5	24,92			X		X
670,0/152273	770,5	31,56			X		X
950,0/215909	1092,5	48,10			X		X
1500,0/340909	1710,0	75,00			X		X
2240,0/545450	2464,0	107,18			X		X
3000,0/681820	3300,0	136,00			X		X
3750,0/852270	4125,0	180,00			X		X



Solution range



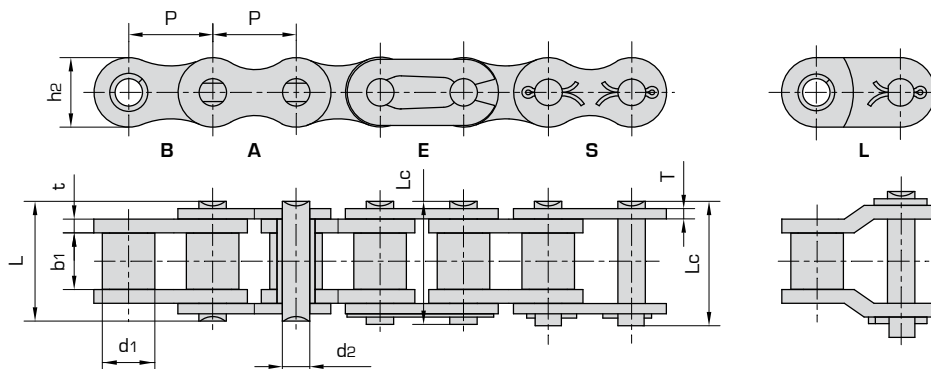
Donghua ZT+ roller chains are coated with the exact same zinc aluminium compound. Only the pins are chemical nickel plated. These chemical nickel plated pins do have a surface hardness of 1,000 HV and offer improved wear resistance. The corrosion resistance of these chemical nickel plated pins is excellent. All Donghua roller chains are: Pre-loaded, Fatigue resistant, Wear resistant and Pre-lubricated. Donghua simplex, duplex and triplex roller chains are manufactured according to ISO 606 DIN8187, standard pre-loaded, pre-lubricated, do have seamless rollers and are marked with production batch code number for complete traceability. All Donghua roller chains are sealed in plastic bags and packed in cardboard boxes with clear ISO 606 DIN descriptions and safety instructions. Standard packaging size is 5 meter box, reels are available on request. Cut to length service is available on request. Several test certificates like breaking load, length tolerance and material analyses are possible and available on request. Rollers chains which are needed for 'run as pairs' applications can be matched as pairs on request. DIN, 1/2DIN and 1/3DIN length tolerance are possible, please ask us for a quotation. For high temperature, low temperature, food application or special environments different kind of special lubricants are available. Please ask our sales team for any special needs. For drive chain calculation and right dimension check, please contact our engineering department, also see drive chain calculation data sheet on page 301. By filling this data sheet and sending this to our engineering department you will receive a detailed drive chain calculation including life time expectation. Sprockets are available for all roller chains, with pilot bore, fixed bore, keyway, setscrew or bearing bore with grooves. Standard toothing, hardened toothing or special toothing are possible with pilot bore, fixed bore or taper bush. Chain tools, tensioners and chain lubricants please see page 302-310.

Short pitch precision roller chains (A series) ZT+ Plated (Geomet including Chemical Nickel Plated Pins)

Simplex roller chains & bush chains

Part nr.	DIN/ISO 606 Chain no.	ANSI Chain no.	Pitch	Roller diameter	Width between inner plates	Pin diameter	Pin length		Inner plate depth	Plate thickness
							L max	Lc max		
							P	d1 max		
		mm		mm		mm		mm		
10025-1ZT+	*04C-1	*25	6,350	3,30	3,18	2,31	7,90	8,40	6,00	0,80
10035-1ZT+	*06C-1	*35	9,525	5,08	4,77	3,58	12,40	13,17	9,00	1,30
10041-1ZT+	085-1	41	12,700	7,77	6,25	3,58	13,75	15,00	9,91	1,30
10040-1ZT+	08A-1	40	12,700	7,95	7,85	3,96	16,60	17,80	12,00	1,50
10050-1ZT+	10A-1	50	15,875	10,16	9,40	5,08	20,70	22,20	15,09	2,03
10060-1ZT+	12A-1	60	19,050	11,91	12,57	5,94	25,90	27,70	18,00	2,42
10080-1ZT+	16A-1	80	25,400	15,88	15,75	7,92	32,70	35,00	24,00	3,25
100100-1ZT+	20A-1	100	31,750	19,05	18,90	9,53	40,40	44,70	30,00	4,00
100120-1ZT+	24A-1	120	38,100	22,23	25,22	11,10	50,30	54,30	35,70	4,80
100140-1ZT+	28A-1	140	44,450	25,40	25,22	12,70	54,40	59,00	41,00	5,60
100160-1ZT+	32A-1	160	50,800	28,58	31,55	14,27	64,80	69,60	47,80	6,40
100180-1ZT+	36A-1	180	57,150	35,71	35,48	17,46	72,80	78,60	53,60	7,20
100200-1ZT+	40A-1	200	63,500	39,68	37,85	19,85	80,30	87,20	60,00	8,00
100240-1ZT+	48A-1	240	76,200	47,63	47,35	23,81	95,50	103,00	72,39	9,50

* Bush chain: d1 in the table indicates the external diameter of the bush.



Ultimate tensile strength	Average tensile strength	Weight per meter	Available chain parts					
Q min	Q0	q	E	S	L	C	A	B
kN/lbf	kN	kg/m						
3,50/795	5,0	0,15	X				X	
7,90/1795	11,3	0,33	X		X		X	
6,67/1516	18,6	0,41	X		X		X	
14,10/3205	31,3	0,62	X		X		X	
22,20/5045	43,2	1,02	X		X		X	
31,80/7227	74,3	1,50	X		X		X	
56,70/12886	107,6	2,60	X		X		X	
88,50/20114	163,1	3,91			X		X	
127,00/28864	222,5	5,62			X		X	
172,40/39182	266,9	7,50			X		X	
226,80/51545	361,1	10,10			X		X	
280,20/63682	466,8	13,45			X		X	
353,80/80409	671,6	16,15			X		X	
510,30/115977	622,5	23,2			X		X	



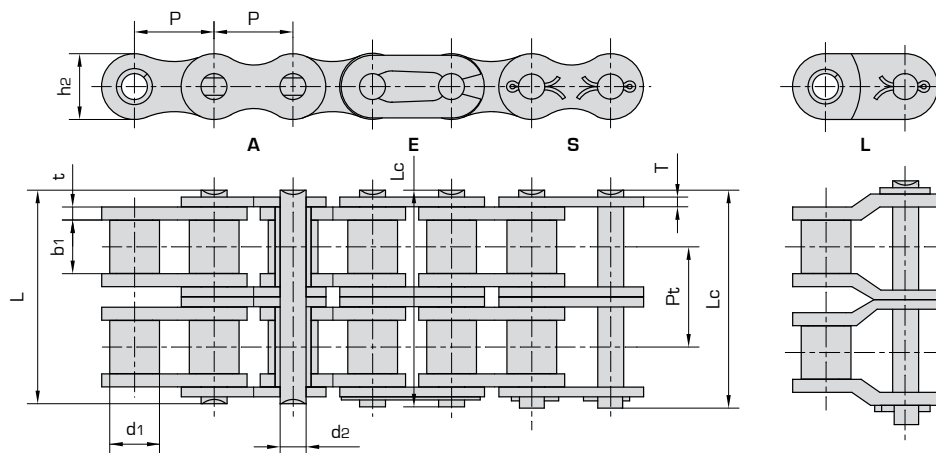
Donghua ZT+ roller chains are coated with the exact same zinc aluminium compound. Only the pins are chemical nickel plated. These chemical nickel plated pins do have a surface hardness of 1,000 HV and offer improved wear resistance. The corrosion resistance of these chemical nickel plated pins is excellent. All Donghua roller chains are: Pre-loaded, Fatigue resistant, Wear resistant and Pre-lubricated. Donghua simplex, duplex and triplex roller chains are manufactured according to ISO 606 DIN8187, standard pre-loaded, pre-lubricated, do have seamless rollers and are marked with production batch code number for complete traceability. All Donghua roller chains are sealed in plastic bags and packed in cardboard boxes with clear ISO 606 DIN descriptions and safety instructions. Standard packaging size is 5 meter box, reels are available on request. Cut to length service is available on request. Several test certificates like breaking load, length tolerance and material analyses are possible and available on request. Rollers chains which are needed for 'run as pairs' applications can be matched as pairs on request. DIN, 1/2DIN and 1/3DIN length tolerance are possible, please ask us for a quotation. For high temperature, low temperature, food application or special environments different kind of special lubricants are available. Please ask our sales team for any special needs. For drive chain calculation and right dimension check, please contact our engineering department, also see drive chain calculation data sheet on page 301. By filling this data sheet and sending this to our engineering department you will receive a detailed drive chain calculation including life time expectation. Sprockets are available for all roller chains, with pilot bore, fixed bore, keyway, setscrew or bearing bore with grooves. Standard toothing, hardened toothing or special toothing are possible with pilot bore, fixed bore or taper bush. Chain tools, tensioners and chain lubricants please see page 302-310.

Short pitch precision roller chains (A series) ZT+ Plated (ZinTek including Chemical Nickel Plated Pins)

Duplex roller chains & bush chains

Part nr.	DIN/ISO 606 Chain no.	ANSI Chain no.	Pitch	Roller diameter	Width between inner plates	Pin diameter	Pin length		Inner plate depth	Plate thickness	Transverse pitch
				d1 max	b1 min	d2 max	L max	Lc max	h2 max	T max	
				mm	mm	mm	mm	mm	mm	mm	
10025-2ZT+	*04C-2	*25-2	6,350	3,30	3,18	2,31	14,5	15,0	6,00	0,80	6,40
10035-2ZT+	*06C-2	*35-2	9,525	5,08	4,77	3,58	22,5	23,3	9,00	1,30	10,13
10041-1ZT+	085-2	41-2	12,700	7,77	6,25	3,58	25,7	26,9	9,91	1,30	11,95
10040-2ZT+	08A-2	40-2	12,700	7,95	7,85	3,96	31,0	32,2	12,00	1,50	14,38
10050-2ZT+	10A-2	50-2	15,875	10,16	9,40	5,08	38,9	40,4	15,09	2,03	18,11
10060-2ZT+	12A-2	60-2	19,050	11,91	12,57	5,94	48,8	50,5	18,00	2,42	22,78
10080-2ZT+	16A-2	80-2	25,400	15,88	15,75	7,92	62,7	64,3	24,00	3,25	29,29
100100-2ZT+	20A-2	100-2	31,750	19,05	18,90	9,53	76,4	80,5	30,00	4,00	35,76
100120-2ZT+	24A-2	120-2	38,100	22,23	25,22	11,10	95,8	99,7	35,70	4,80	45,44
100140-2ZT+	28A-2	140-2	44,450	25,40	25,22	12,70	103,3	107,9	41,00	5,60	48,87
100160-2ZT+	32A-2	160-2	50,800	28,58	31,55	14,27	123,3	128,1	47,80	6,40	58,55
100180-2ZT+	36A-2	180-2	57,150	35,71	35,48	17,46	138,6	144,4	53,60	7,20	65,84
100200-2ZT+	40A-2	200-2	63,500	39,68	37,85	19,85	151,9	158,8	60,00	8,00	71,55
100240-2ZT+	48A-2	240-2	76,200	47,63	47,35	23,81	183,4	190,8	72,39	9,50	87,83

* Bush chain: d1 in the table indicates the external diameter of the bush.



Ultimate tensile strength	Average tensile strength	Weight per meter	Available chain parts				
Q min	Q0	q	E	S	L	C	A
kN/lbf	kN	kg/m					
7,00/1591	10,0	0,28	X				X
15,80/3591	22,3	0,63	X				X
13,34/3032	37,2	0,81	X		X		X
28,20/6409	62,6	1,12	X		X		X
44,40/10091	86,4	2,00	X		X		X
63,60/14455	148,6	2,92	X		X		X
113,40/25773	215,2	5,15	X		X		X
177,00/40227	326,2	7,80			X		X
254,00/57727	445,0	11,70			X		X
344,80/78364	533,8	15,14			X		X
453,60/103091	722,2	20,14			X		X
560,50/127386	933,6	29,22			X		X
707,60/160818	1343,2	32,24			X		X
1020,60/213955	1255,3	45,23			X		X



Donghua ZT+ roller chains are coated with the exact same zinc aluminium compound. Only the pins are chemical nickel plated. These chemical nickel plated pins do have a surface hardness of 1,000 HV and offer improved wear resistance. The corrosion resistance of these chemical nickel plated pins is excellent. All Donghua roller chains are: Pre-loaded, Fatigue resistant, Wear resistant and Pre-lubricated. Donghua simplex, duplex and triplex roller chains are manufactured according to ISO 606 DIN8187, standard pre-loaded, pre-lubricated, do have seamless rollers and are marked with production batch code number for complete traceability. All Donghua roller chains are sealed in plastic bags and packed in cardboard boxes with clear ISO 606 DIN descriptions and safety instructions. Standard packaging size is 5 meter box, reels are available on request. Cut to length service is available on request. Several test certificates like breaking load, length tolerance and material analyses are possible and available on request. Rollers chains which are needed for 'run as pairs' applications can be matched as pairs on request. DIN, 1/2DIN and 1/3DIN length tolerance are possible, please ask us for a quotation. For high temperature, low temperature, food application or special environments different kind of special lubricants are available. Please ask our sales team for any special needs. For drive chain calculation and right dimension check, please contact our engineering department, also see drive chain calculation data sheet on page 301. By filling this data sheet and sending this to our engineering department you will receive a detailed drive chain calculation including life time expectation. Sprockets are available for all roller chains, with pilot bore, fixed bore, keyway, setscrew or bearing bore with grooves. Standard toothing, hardened toothing or special toothing are possible with pilot bore, fixed bore or taper bush. Chain tools, tensioners and chain lubricants please see page 302-310.

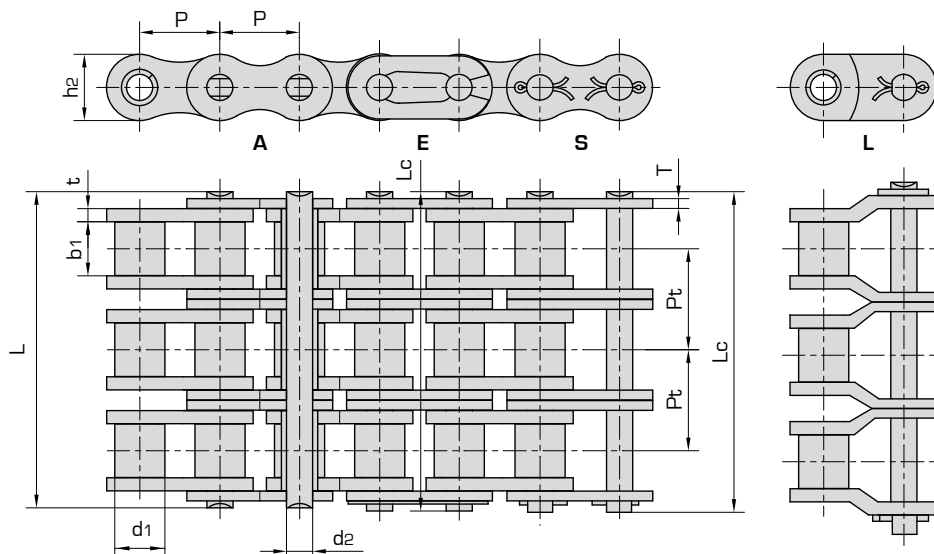
Solution Range

Short pitch precision roller chains (A series) ZT+ Plated (ZinTek including Chemical Nickel Plated Pins)

Triplex roller chains & bush chains

Part nr.	DIN/ISO 606 Chain no.	ANSI Chain no.	Pitch	Roller diameter	Width between inner plates	Pin diameter	Pin length		Inner plate depth	Plate thickness	Transverse pitch
				d1 max	b1 min	d2 max	L max	Lc max	h2 max	T max	
				mm	mm	mm	mm	mm	mm	mm	
10025-3ZT+	*04C-3	*25-3	6,350	3,30	3,18	2,31	21,0	21,5	6,00	0,80	6,40
10035-3ZT+	*06C-3	*35-3	9,525	5,08	4,77	3,58	32,7	33,5	9,00	1,30	10,13
10040-3ZT+	08A-3	40-3	12,700	7,95	7,85	3,96	45,4	46,6	12,00	1,50	14,38
10050-3ZT+	10A-3	50-3	15,875	10,16	9,40	5,08	57,0	58,5	15,09	2,03	18,11
10060-3ZT+	12A-3	60-3	19,050	11,91	12,57	5,94	71,5	73,3	18,00	2,42	22,78
10080-3ZT+	16A-3	80-3	25,400	15,88	15,75	7,92	91,7	93,6	24,00	3,25	29,29
100100-3ZT+	20A-3	100-3	31,750	19,05	18,90	9,53	112,2	116,3	30,00	4,00	35,76
100120-3ZT+	24A-3	120-3	38,100	22,23	25,22	11,10	141,4	145,2	35,70	4,80	45,44
100140-3ZT+	28A-3	140-3	44,450	25,40	25,22	12,70	152,2	156,8	41,00	5,60	48,87
100160-3ZT+	32A-3	160-3	50,800	28,58	31,55	14,27	181,8	186,6	47,80	6,40	58,55
100180-3ZT+	36A-3	180-3	57,150	35,71	35,48	17,46	204,4	210,2	53,60	7,20	65,84
100200-3ZT+	40A-3	200-3	63,500	39,68	37,85	19,85	223,5	230,4	60,00	8,00	71,55
100240-3ZT+	48A-3	240-3	76,200	47,63	47,35	23,81	271,3	278,6	72,39	9,50	87,83

* Bush chain: d1 in the table indicates the external diameter of the bush.



Ultimate tensile strength	Average tensile strength	Weight per meter	Available chain parts				
Q min	Q0	q	E	S	L	C	A
kN/lbf	kN	kg/m					
10,5/2386	15,0	0,44	X				X
23,7/5386	33,9	1,05	X				X
42,3/9614	55,8	1,90	X		X		X
66,6/15136	93,9	3,09	X		X		X
95,4/21682	129,6	4,54	X		X		X
170,1/38659	222,9	7,89	X		X		X
265,5/60341	322,8	11,77			X		X
381,0/86591	489,3	17,53			X		X
517,2/117545	667,5	22,20			X		X
680,4/154636	800,7	30,02			X		X
840,7/191068	1083,3	38,22			X		X
1061,4/241227	1400,4	49,03			X		X
1530,9/347932	2014,8	71,60			X		X



Donghua ZT+ roller chains are coated with the exact same zinc aluminium compound. Only the pins are chemical nickel plated. These chemical nickel plated pins do have a surface hardness of 1,000 HV and offer improved wear resistance. The corrosion resistance of these chemical nickel plated pins is excellent. All Donghua roller chains are: Pre-loaded, Fatigue resistant, Wear resistant and Pre-lubricated. Donghua simplex, duplex and triplex roller chains are manufactured according to ISO 606 DIN8187, standard pre-loaded, pre-lubricated, do have seamless rollers and are marked with production batch code number for complete traceability. All Donghua roller chains are sealed in plastic bags and packed in cardboard boxes with clear ISO 606 DIN descriptions and safety instructions. Standard packaging size is 5 meter box, reels are available on request. Cut to length service is available on request. Several test certificates like breaking load, length tolerance and material analyses are possible and available on request. Rollers chains which are needed for 'run as pairs' applications can be matched as pairs on request. DIN, 1/2DIN and 1/3DIN length tolerance are possible, please ask us for a quotation. For high temperature, low temperature, food application or special environments different kind of special lubricants are available. Please ask our sales team for any special needs. For drive chain calculation and right dimension check, please contact our engineering department, also see drive chain calculation data sheet on page 301. By filling this data sheet and sending this to our engineering department you will receive a detailed drive chain calculation including life time expectation. Sprockets are available for all roller chains, with pilot bore, fixed bore, keyway, setscrew or bearing bore with grooves. Standard toothing, hardened toothing or special toothing are possible with pilot bore, fixed bore or taper bush. Chain tools, tensioners and chain lubricants please see page 302-310.

Solution range



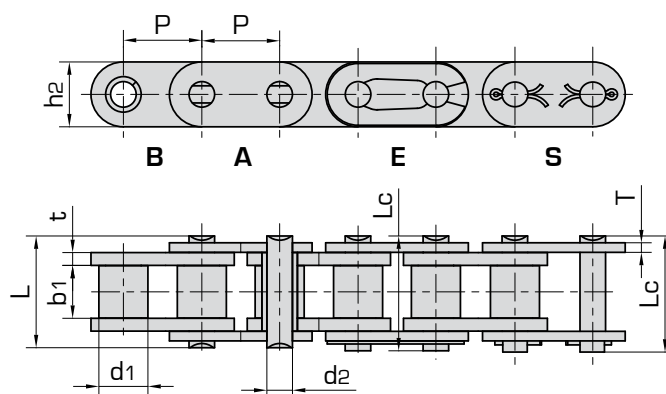


Short pitch precision roller chains (B series)

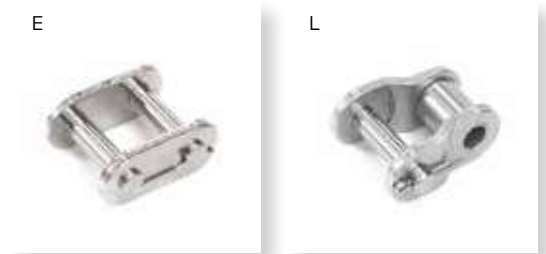
With straight side plates and Nickel Plated

Simplex roller chains

Part nr.	DIN/ISO 606 Chain no.	Pitch	Roller diameter	Width between inner plates	Pin diameter	Pin length	Inner plate depth	Plate thickness	
		P	d1 max	b1 min	d2 max	L max	Lc max	h2 max	T max
		mm	mm	mm	mm	mm	mm	mm	mm
10006B-1NP	C06B-1NP	9,525	6,35	5,72	3,28	13,15	14,1	8,20	1,30
100C08B-1NP	C08B-1NP	12,700	8,51	7,75	4,45	16,70	18,2	11,80	1,60
100C10B-1NP	C10B-1NP	15,875	10,16	9,65	5,08	19,50	20,9	14,70	1,70
100C12B-1NP	C12B-1NP	19,050	12,07	11,68	5,72	22,50	24,2	16,00	1,85
100C16B-1NP	C16B-1NP	25,400	15,88	17,02	8,28	36,10	37,4	21,00	4,15/3,1
100C20B-1NP	C20B-1NP	31,750	19,05	19,56	10,19	41,30	45,0	26,40	4,50/3,5
100C24B-1NP	C24B-1NP	38,100	25,40	25,40	14,63	53,40	57,8	33,20	6,00/4,8
100C28B-1NP	C28B-1NP	44,450	27,94	30,99	15,90	65,10	69,5	36,70	7,50/6,0
100C32B-1NP	C32B-1NP	50,800	29,21	30,99	17,81	66,00	71,0	42,00	7,00/6,0



Ultimate tensile strength	Average tensile strength	Weight per meter	Available chain parts					
Q min Q min	Q0 Q0	q q						
kN/lbf	kN	kg/m	E	S	L	C	A	B
9,0/2045	10,4	0,41	X		X			
18,0/4091	19,4	0,69	X		X			
22,4/5091	27,5	0,93	X		X			
29,0/6591	32,2	1,15	X		X			
60,0/13636	72,8	2,71	X		X			
95,0/21591	106,7	3,70	X		X			
160,0/36364	178,0	7,10			X			
200,0/45455	222,0	8,50			X			
250,0/56818	277,5	10,25			X			



Solution range



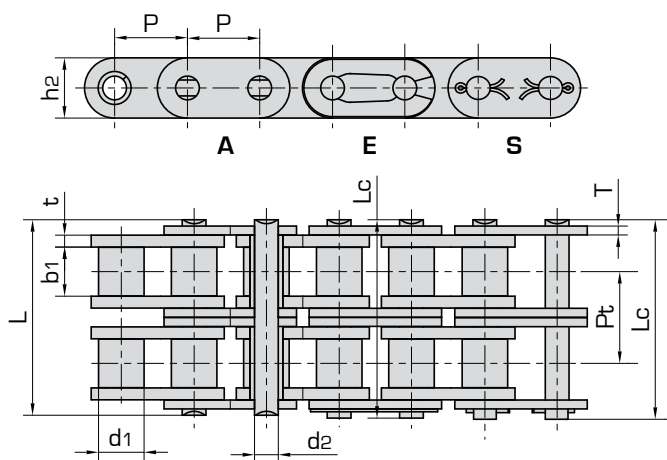
Donghua Nickel Plated Roller Chains are developed to offer good wear and good corrosion resistance. For special applications we deliver Chemical Nickel Plating on request. All Donghua roller chains are: Pre-loaded, Fatigue resistant, Wear resistant and Pre-lubricated. Donghua simplex, duplex and triplex roller chains are manufactured according to ISO 606 DIN8187, standard pre-loaded, pre-lubricated, do have seamless rollers and are marked with production batch code number for complete traceability. All Donghua roller chains are sealed in plastic bags and packed in cardboard boxes with clear ISO 606 DIN descriptions and safety instructions. Standard packaging size is 5 meter box, reels are available on request. Cut to length service is available on request. Several test certificates like breaking load, length tolerance and material analyses are possible and available on request. Rollers chains which are needed for 'run as pairs' applications can be matched as pairs on request. DIN, 1/2DIN and 1/3DIN length tolerance are possible, please ask us for a quotation. For high temperature, low temperature, food application or special environments different kind of special lubricants are available. Please ask our sales team for any special needs. For drive chain calculation and right dimension check, please contact our engineering department, also see drive chain calculation data sheet on page 301. By filling this data sheet and sending this to our engineering department you will receive a detailed drive chain calculation including life time expectation. Sprockets are available for all roller chains, with pilot bore, fixed bore, keyway, setscrew or bearing bore with grooves. Standard toothing, hardened toothing or special toothing are possible with pilot bore, fixed bore or taper bush. Chain tools, tensioners and chain lubricants please see page 302-310.

Short pitch precision roller chains (B series)

With straight side plates and Nickel Plated

Duplex roller chains

Part nr.	DIN/ISO 606 Chain no.	Pitch	Roller diameter	Width between inner plates	Pin diameter	Pin length	Inner plate depth	Plate thickness	Transverse pitch	
		P	d1 max	b1 min	d2 max	L max	Lc max	h2 max	T max	
		mm	mm	mm	mm	mm	mm	mm	mm	
10006B-2NP	C06B-2NP	9,525	6,35	5,72	3,28	23,4	24,4	8,20	1,30	10,24
100C08B-2NP	C08B-2NP	12,700	8,51	7,75	4,45	31,0	32,2	11,80	1,60	13,92
100C10B-2NP	C10B-2NP	15,875	10,16	9,65	5,08	36,1	37,5	14,70	1,70	16,59
100C12B-2NP	C12B-2NP	19,050	12,07	11,68	5,72	42,0	43,6	16,00	1,85	19,46
100C16B-2NP	C16B-2NP	25,400	15,88	17,02	8,28	68,0	69,3	21,00	4,15/3,1	31,88
100C20B-2NP	C20B-2NP	31,750	19,05	19,56	10,19	77,8	81,5	26,40	4,50/3,5	36,45
100C24B-2NP	C24B-2NP	38,100	25,40	25,40	14,63	101,7	106,2	33,20	6,00/4,8	48,36
100C28B-2NP	C28B-2NP	44,450	27,94	30,99	15,90	124,6	129,1	36,70	7,50/6,0	59,56
100C32B-2NP	C32B-2NP	50,800	29,21	30,99	17,81	124,6	129,6	42,00	7,00/6,0	58,55



Ultimate tensile strength	Average tensile strength	Weight per meter	Available chain parts				
Q min	Q0	q	E	S	L	C	A
kN/lbf	kN	kg/m					
16,9/3841	18,7	0,77	X		X		
32,0/7273	38,7	1,34	X		X		
44,5/10114	56,2	1,84	X		X		
57,8/13136	66,1	2,31	X		X		
106,0/24091	133,0	5,42	X		X		
170,0/38636	211,2	7,20			X		
280,0/63636	319,2	13,40			X		
360,0/81818	406,8	16,60			X		
450,0/102273	508,5	21,00			X		



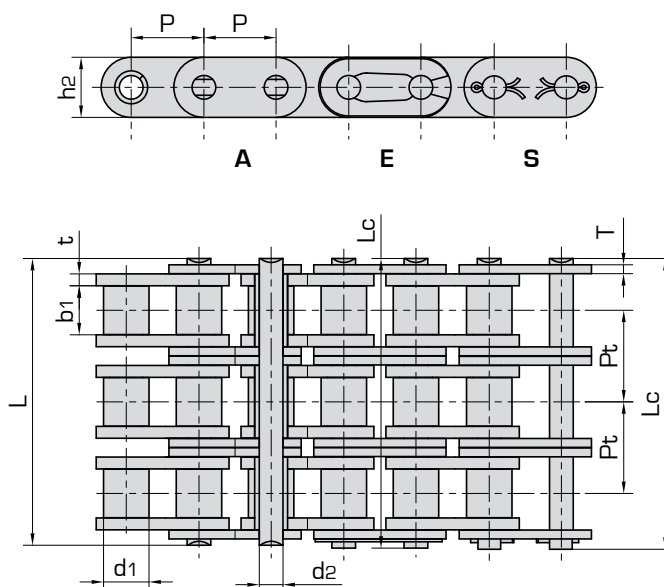
Donghua Nickel Plated Roller Chains are developed to offer good wear and good corrosion resistance. For special applications we deliver Chemical Nickel Plating on request. All Donghua roller chains are: Pre-loaded, Fatigue resistant, Wear resistant and Pre-lubricated. Donghua simplex, duplex and triplex roller chains are manufactured according to ISO 606 DIN8187, standard pre-loaded, pre-lubricated, do have seamless rollers and are marked with production batch code number for complete traceability. All Donghua roller chains are sealed in plastic bags and packed in cardboard boxes with clear ISO 606 DIN descriptions and safety instructions. Standard packaging size is 5 meter box, reels are available on request. Cut to length service is available on request. Several test certificates like breaking load, length tolerance and material analyses are possible and available on request. Rollers chains which are needed for 'run as pairs' applications can be matched as pairs on request. DIN, 1/2DIN and 1/3DIN length tolerance are possible, please ask us for a quotation. For high temperature, low temperature, food application or special environments different kind of special lubricants are available. Please ask our sales team for any special needs. For drive chain calculation and right dimension check, please contact our engineering department, also see drive chain calculation data sheet on page 301. By filling this data sheet and sending this to our engineering department you will receive a detailed drive chain calculation including life time expectation. Sprockets are available for all roller chains, with pilot bore, fixed bore, keyway, setscrew or bearing bore with grooves. Standard toothing, hardened toothing or special toothing are possible with pilot bore, fixed bore or taper bush. Chain tools, tensioners and chain lubricants please see page 302-310.

Short pitch precision roller chains (B series)

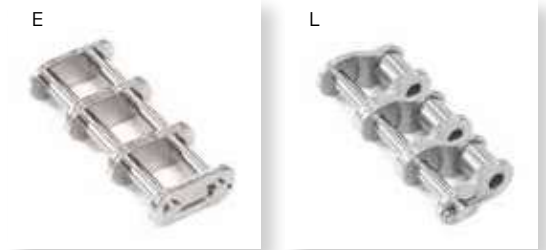
With straight side plates and Nickel Plated

Triplex roller chains

Part nr.	DIN/ISO 606 Chain no.	Pitch	Roller diameter	Width between inner plates	Pin diameter	Pin length	Inner plate depth	Plate thickness	Transverse pitch	
		P	d1 max	b1 min	d2 max	L max	Lc max	h2 max	T max	
		mm	mm	mm	mm	mm	mm	mm	mm	
10006B-3NP	C06B-3NP	9,525	6,35	5,72	3,28	33,5	34,6	8,20	1,30	10,24
100C08B-3NP	C08B-3NP	12,700	8,51	7,75	4,45	45,1	46,1	11,80	1,60	13,92
100C10B-3NP	C10B-3NP	15,875	10,16	9,65	5,08	52,7	54,1	14,70	1,70	16,59
100C12B-3NP	C12B-3NP	19,050	12,07	11,68	5,72	61,5	63,1	16,00	1,85	19,46
100C16B-3NP	C16B-3NP	25,400	15,88	17,02	8,28	99,8	101,2	21,00	4,15/3,1	31,88
100C20B-3NP	C20B-3NP	31,750	19,05	19,56	10,19	114,2	117,9	26,40	4,50/3,5	36,45
100C24B-3NP	C24B-3NP	38,100	25,40	25,40	14,63	150,1	154,6	33,20	6,00/4,8	48,36
100C28B-3NP	C28B-3NP	44,450	27,94	30,99	15,90	184,2	188,7	36,70	7,50/6,0	59,56
100C32B-3NP	C32B-3NP	50,800	29,21	30,99	17,81	183,2	188,2	42,00	7,00/6,0	58,55



Ultimate tensile strength	Average tensile strength	Weight per meter	Available chain parts				
Q min	Q0	q	E	S	L	C	A
kN/lbf	kN	kg/m					
24,9/5659	30,1	1,16	X		X		
47,5/10795	57,8	2,03	X		X		
66,7/15159	84,5	2,77	X		X		
86,7/19705	101,8	3,46	X		X		
160,0/36364	203,7	8,13	X		X		
250,0/56818	290,0	10,82			X		
425,0/96591	493,0	20,10			X		
530,0/120454	609,5	24,92			X		
670,0/152273	770,5	31,56			X		



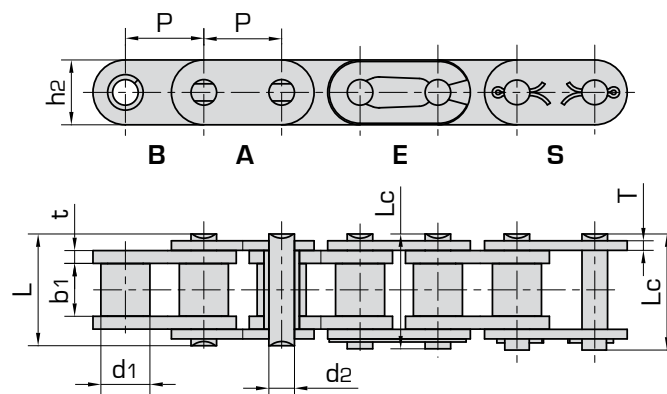
Donghua Nickel Plated Roller Chains are developed to offer good wear and good corrosion resistance. For special applications we deliver Chemical Nickel Plating on request. All Donghua roller chains are: Pre-loaded, Fatigue resistant, Wear resistant and Pre-lubricated. Donghua simplex, duplex and triplex roller chains are manufactured according to ISO 606 DIN8187, standard pre-loaded, pre-lubricated, do have seamless rollers and are marked with production batch code number for complete traceability. All Donghua roller chains are sealed in plastic bags and packed in cardboard boxes with clear ISO 606 DIN descriptions and safety instructions. Standard packaging size is 5 meter box, reels are available on request. Cut to length service is available on request. Several test certificates like breaking load, length tolerance and material analyses are possible and available on request. Rollers chains which are needed for 'run as pairs' applications can be matched as pairs on request. DIN, 1/2DIN and 1/3DIN length tolerance are possible, please ask us for a quotation. For high temperature, low temperature, food application or special environments different kind of special lubricants are available. Please ask our sales team for any special needs. For drive chain calculation and right dimension check, please contact our engineering department, also see drive chain calculation data sheet on page 301. By filling this data sheet and sending this to our engineering department you will receive a detailed drive chain calculation including life time expectation. Sprockets are available for all roller chains, with pilot bore, fixed bore, keyway, setscrew or bearing bore with grooves. Standard toothing, hardened toothing or special toothing are possible with pilot bore, fixed bore or taper bush. Chain tools, tensioners and chain lubricants please see page 302-310.

Short pitch precision roller chains (B series)

With straight side plates and Zinc Plated

Simplex roller chains

Part nr.	DIN/ISO 606 Chain no.	Pitch	Roller diameter	Width between inner plates	Pin diameter	Pin length	Inner plate depth	Plate thickness	
		P	d1 max	b1 min	d2 max	L max	Lc max	h2 max	T max
		mm	mm	mm	mm	mm	mm	mm	mm
10006B-1ZP	C06B-1ZP	9,525	6,35	5,72	3,28	13,15	14,1	8,20	1,30
100C08B-1ZP	C08B-1ZP	12,700	8,51	7,75	4,45	16,70	18,2	11,80	1,60
100C10B-1ZP	C10B-1ZP	15,875	10,16	9,65	5,08	19,50	20,9	14,70	1,70
100C12B-1ZP	C12B-1ZP	19,050	12,07	11,68	5,72	22,50	24,2	16,00	1,85
100C16B-1ZP	C16B-1ZP	25,400	15,88	17,02	8,28	36,10	37,4	21,00	4,15/3,1
100C20B-1ZP	C20B-1ZP	31,750	19,05	19,56	10,19	41,30	45,0	26,40	4,50/3,5
100C24B-1ZP	C24B-1ZP	38,100	25,40	25,40	14,63	53,40	57,8	33,20	6,00/4,8
100C28B-1ZP	C28B-1ZP	44,450	27,94	30,99	15,90	65,10	69,5	36,70	7,50/6,0
100C32B-1ZP	C32B-1ZP	50,800	29,21	30,99	17,81	66,00	71,0	42,00	7,00/6,0



Ultimate tensile strength	Average tensile strength	Weight per meter	Available chain parts						
Q min	Q0	q	E	S	L	C	A	B	
kN/lbf	kN	kg/m							
9,0/2045	10,4	0,41	X		X				
18,0/4091	19,4	0,69	X		X				
22,4/5091	27,5	0,93	X		X				
29,0/6591	32,2	1,15	X		X				
60,0/13636	72,8	2,71	X		X				
95,0/21591	106,7	3,70	X		X				
160,0/36364	178,0	7,10			X				
200,0/45455	222,0	8,50			X				
250,0/56818	277,5	10,25			X				

E



L



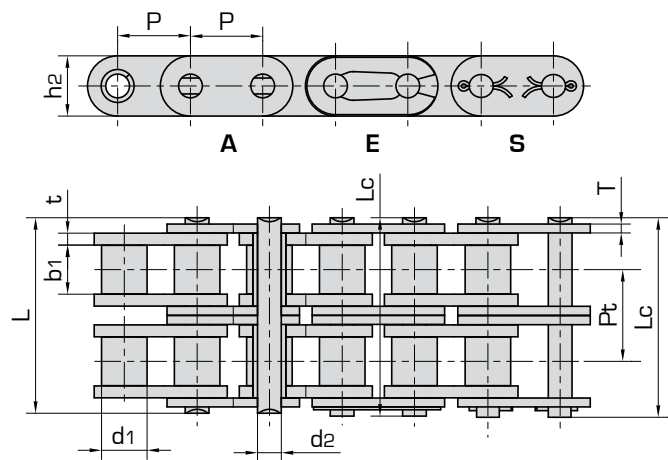
Donghua Zinc Plated Roller Chains are developed to offer good wear and good corrosion resistance. For special applications we deliver the new developed ZinTek Coating on request. All Donghua roller chains are: Pre-loaded, Fatigue resistant, Wear resistant and Pre-lubricated. Donghua simplex, duplex and triplex roller chains are manufactured according to ISO 606 DIN8187, standard pre-loaded, pre-lubricated, do have seamless rollers and are marked with production batch code number for complete traceability. All Donghua roller chains are sealed in plastic bags and packed in cardboard boxes with clear ISO 606 DIN descriptions and safety instructions. Standard packaging size is 5 meter box, reels are available on request. Cut to length service is available on request. Several test certificates like breaking load, length tolerance and material analyses are possible and available on request. Rollers chains which are needed for 'run as pairs' applications can be matched as pairs on request. DIN, 1/2DIN and 1/3DIN length tolerance are possible, please ask us for a quotation. For high temperature, low temperature, food application or special environments different kind of special lubricants are available. Please ask our sales team for any special needs. For drive chain calculation and right dimension check, please contact our engineering department, also see drive chain calculation data sheet on page 301. By filling this data sheet and sending this to our engineering department you will receive a detailed drive chain calculation including life time expectation. Sprockets are available for all roller chains, with pilot bore, fixed bore, keyway, setscrew or bearing bore with grooves. Standard toothing, hardened toothing or special toothing are possible with pilot bore, fixed bore or taper bush. Chain tools, tensioners and chain lubricants please see page 302-310.

Short pitch precision roller chains (B series)

With straight side plates and Zinc Plated

Duplex roller chains

Part nr.	DIN/ISO 606 Chain no.	Pitch	Roller diameter	Width between inner plates	Pin diameter	Pin length	Inner plate depth	Plate thickness	Transverse pitch	
		P	d1 max	b1 min	d2 max	L max	Lc max	h2 max	T max	
		mm	mm	mm	mm	mm	mm	mm	mm	
10006B-2ZP	C06B-2ZP	9,525	6,35	5,72	3,28	23,4	24,4	8,20	1,30	10,24
100C08B-2ZP	C08B-2ZP	12,700	8,51	7,75	4,45	31,0	32,2	11,80	1,60	13,92
100C10B-2ZP	C10B-2ZP	15,875	10,16	9,65	5,08	36,1	37,5	14,70	1,70	16,59
100C12B-2ZP	C12B-2ZP	19,050	12,07	11,68	5,72	42,0	43,6	16,00	1,85	19,46
100C16B-2ZP	C16B-2ZP	25,400	15,88	17,02	8,28	68,0	69,3	21,00	4,15/3,1	31,88
100C20B-2ZP	C20B-2ZP	31,750	19,05	19,56	10,19	77,8	81,5	26,40	4,50/3,5	36,45
100C24B-2ZP	C24B-2ZP	38,100	25,40	25,40	14,63	101,7	106,2	33,20	6,00/4,8	48,36
100C28B-2ZP	C28B-2ZP	44,450	27,94	30,99	15,90	124,6	129,1	36,70	7,50/6,0	59,56
100C32B-2ZP	C32B-2ZP	50,800	29,21	30,99	17,81	124,6	129,6	42,00	7,00/6,0	58,55



Ultimate tensile strength	Average tensile strength	Weight per meter	Available chain parts				
Q min	Q0	q	E	S	L	C	A
kN/lbf	kN	kg/m					
16,9/3841	18,7	0,77	X		X		
32,0/7273	38,7	1,34	X		X		
44,5/10114	56,2	1,84	X		X		
57,8/13136	66,1	2,31	X		X		
106,0/24091	133,0	5,42	X		X		
170,0/38636	211,2	7,20			X		
280,0/63636	319,2	13,40			X		
360,0/81818	406,8	16,60			X		
450,0/102273	508,5	21,00			X		



Solution range



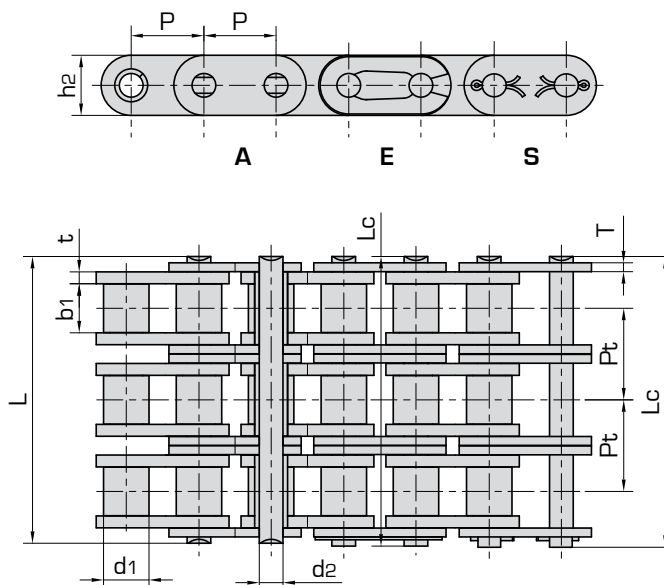
Donghua Zinc Plated Roller Chains are developed to offer good wear and good corrosion resistance. For special applications we deliver the new developed ZinTek Coating on request. All Donghua roller chains are: Pre-loaded, Fatigue resistant, Wear resistant and Pre-lubricated. Donghua simplex, duplex and triplex roller chains are manufactured according to ISO 606 DIN8187, standard pre-loaded, pre-lubricated, do have seamless rollers and are marked with production batch code number for complete traceability. All Donghua roller chains are sealed in plastic bags and packed in cardboard boxes with clear ISO 606 DIN descriptions and safety instructions. Standard packaging size is 5 meter box, reels are available on request. Cut to length service is available on request. Several test certificates like breaking load, length tolerance and material analyses are possible and available on request. Rollers chains which are needed for 'run as pairs' applications can be matched as pairs on request. DIN, 1/2DIN and 1/3DIN length tolerance are possible, please ask us for a quotation. For high temperature, low temperature, food application or special environments different kind of special lubricants are available. Please ask our sales team for any special needs. For drive chain calculation and right dimension check, please contact our engineering department, also see drive chain calculation data sheet on page 301. By filling this data sheet and sending this to our engineering department you will receive a detailed drive chain calculation including life time expectation. Sprockets are available for all roller chains, with pilot bore, fixed bore, keyway, setscrew or bearing bore with grooves. Standard toothing, hardened toothing or special toothing are possible with pilot bore, fixed bore or taper bush. Chain tools, tensioners and chain lubricants please see page 302-310.

Short pitch precision roller chains (B series)

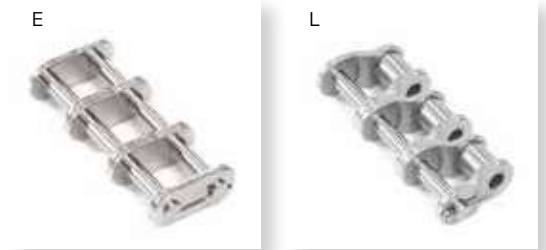
With straight side plates and Zinc Plated

Triplex roller chains

Part nr.	DIN/ISO 606 Chain no.	Pitch	Roller diameter	Width between inner plates	Pin diameter	Pin length	Inner plate depth	Plate thickness	Transverse pitch	
		P	d1 max	b1 min	d2 max	L max	Lc max	h2 max	T max	
		mm	mm	mm	mm	mm	mm	mm	mm	
10006B-3ZP	C06B-3ZP	9,525	6,35	5,72	3,28	33,5	34,6	8,20	1,30	10,24
100C08B-3ZP	C08B-3ZP	12,700	8,51	7,75	4,45	45,1	46,1	11,80	1,60	13,92
100C10B-3ZP	C10B-3ZP	15,875	10,16	9,65	5,08	52,7	54,1	14,70	1,70	16,59
100C12B-3ZP	C12B-3ZP	19,050	12,07	11,68	5,72	61,5	63,1	16,00	1,85	19,46
100C16B-3ZP	C16B-3ZP	25,400	15,88	17,02	8,28	99,8	101,2	21,00	4,15/3,1	31,88
100C20B-3ZP	C20B-3ZP	31,750	19,05	19,56	10,19	114,2	117,9	26,40	4,50/3,5	36,45
100C24B-3ZP	C24B-3ZP	38,100	25,40	25,40	14,63	150,1	154,6	33,20	6,00/4,8	48,36
100C28B-3ZP	C28B-3ZP	44,450	27,94	30,99	15,90	184,2	188,7	36,70	7,50/6,0	59,56
100C32B-3ZP	C32B-3ZP	50,800	29,21	30,99	17,81	183,2	188,2	42,00	7,00/6,0	58,55



Ultimate tensile strength	Average tensile strength	Weight per meter	Available chain parts				
Q min	Q0	q	E	S	L	C	A
kN/lbf	kN	kg/m					
24,9/5659	30,1	1,16	X		X		
47,5/10795	57,8	2,03	X		X		
66,7/15159	84,5	2,77	X		X		
86,7/19705	101,8	3,46	X		X		
160,0/36364	203,7	8,13	X		X		
250,0/56818	290,0	10,82			X		
425,0/96591	493,0	20,10			X		
530,0/120454	609,5	24,92			X		
670,0/152273	770,5	31,56			X		



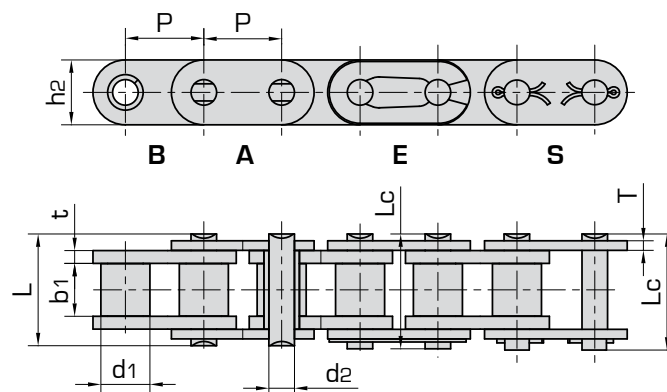
Donghua Zinc Plated Roller Chains are developed to offer good wear and good corrosion resistance. For special applications we deliver the new developed ZinTek Coating on request. All Donghua roller chains are: Pre-loaded, Fatigue resistant, Wear resistant and Pre-lubricated. Donghua simplex, duplex and triplex roller chains are manufactured according to ISO 606 DIN8187, standard pre-loaded, pre-lubricated, do have seamless rollers and are marked with production batch code number for complete traceability. All Donghua roller chains are sealed in plastic bags and packed in cardboard boxes with clear ISO 606 DIN descriptions and safety instructions. Standard packaging size is 5 meter box, reels are available on request. Cut to length service is available on request. Several test certificates like breaking load, length tolerance and material analyses are possible and available on request. Rollers chains which are needed for 'run as pairs' applications can be matched as pairs on request. DIN, 1/2DIN and 1/3DIN length tolerance are possible, please ask us for a quotation. For high temperature, low temperature, food application or special environments different kind of special lubricants are available. Please ask our sales team for any special needs. For drive chain calculation and right dimension check, please contact our engineering department, also see drive chain calculation data sheet on page 301. By filling this data sheet and sending this to our engineering department you will receive a detailed drive chain calculation including life time expectation. Sprockets are available for all roller chains, with pilot bore, fixed bore, keyway, setscrew or bearing bore with grooves. Standard toothing, hardened toothing or special toothing are possible with pilot bore, fixed bore or taper bush. Chain tools, tensioners and chain lubricants please see page 302-310.

Short pitch precision roller chains (B series)

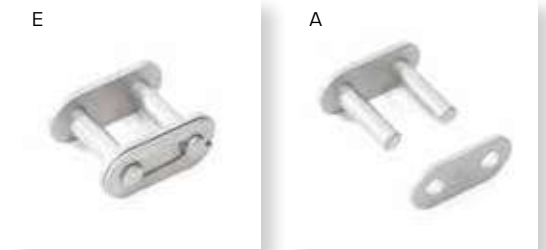
With straight side plate ZT+ coated (ZinTek including chemical nickel plated pins)

Simplex roller chains

Part nr.	DIN/ISO 606 Chain no.	Pitch	Roller diameter	Width between inner plates	Pin diameter	Pin length		Inner plate depth	Plate thickness
		P	d1 max	b1 min	d2 max	L max	Lc max	h2 max	T max
		mm	mm	mm	mm	mm	mm	mm	mm
14506B-1ZT+	C06B-1ZT+	9,525	6,35	5,72	3,28	13,15	14,1	8,20	1,30
14508B-1ZT+	C08B-1ZT+	12,700	8,51	7,75	4,45	16,70	18,2	11,80	1,60
14510B-1ZT+	C10B-1ZT+	15,875	10,16	9,65	5,08	19,50	20,9	14,70	1,70
14512B-1ZT+	C12B-1ZT+	19,050	12,07	11,68	5,72	22,50	24,2	16,00	1,85
14516B-1ZT+	C16B-1ZT+	25,400	15,88	17,02	8,28	36,10	37,4	21,00	4,15/3,1
14520B-1ZT+	C20B-1ZT+	31,750	19,05	19,56	10,19	41,30	45,0	26,40	4,50/3,5
14524B-1ZT+	C24B-1ZT+	38,100	25,40	25,40	14,63	53,40	57,8	33,20	6,00/4,8
14528B-1ZT+	C28B-1ZT+	44,450	27,94	30,99	15,90	65,10	69,5	36,70	7,50/6,0
14532B-1ZT+	C32B-1ZT+	50,800	29,21	30,99	17,81	66,00	71,0	42,00	7,00/6,0



Ultimate tensile strength	Average tensile strength	Weight per meter	Available chain parts					
$Q_{min} Q_{min}$	$Q_0 Q_0$	$q \quad q$						
kN/lbf	kN	kg/m	E	S	L	C	A	B
9,0/2045	10,4	0,41	X				X	
18,0/4091	19,4	0,69	X				X	
22,4/5091	27,5	0,93	X				X	
29,0/6591	32,2	1,15	X				X	
60,0/13636	77,1	2,71	X				X	
95,0/21591	112,8	3,70	X				X	
160,0/36364	178,0	7,10					X	
200,0/45455	236,4	8,50					X	
250,0/56818	277,5	10,25					X	



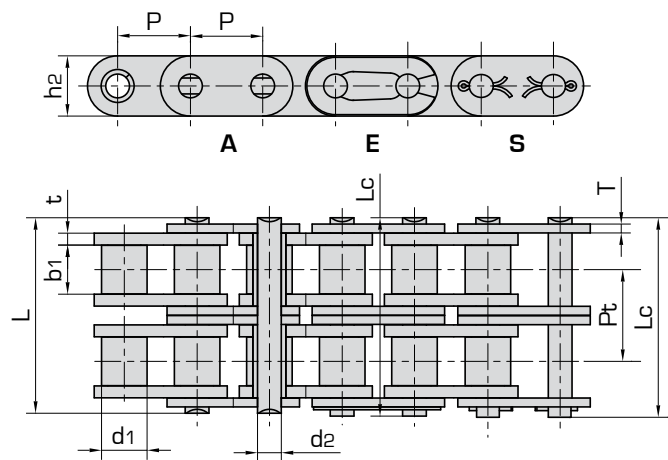
Donghua ZT+ roller chains are coated with the exact same zinc aluminium compound. Only the pins are chemical nickel plated. These chemical nickel plated pins do have a surface hardness of 1,000 HV and offers improved wear resistance. The corrosion resistance of these chemical nickel plated pins is excellent. All Donghua roller chains are: Pre-loaded, Fatigue resistant, Wear resistant and Pre-lubricated. Donghua simplex, duplex and triplex roller chains are manufactured according to ISO 606 DIN8187, standard pre-loaded, pre-lubricated, do have seamless rollers and are marked with production batch code number for complete traceability. All Donghua roller chains are sealed in plastic bags and packed in cardboard boxes with clear ISO 606 DIN descriptions and safety instructions. Standard packaging size is 5 meter box, reels are available on request. Cut to length service is available on request. Several test certificates like breaking load, length tolerance and material analyses are possible and available on request. Rollers chains which are needed for 'run as pairs' applications can be matched as pairs on request. DIN, 1/2DIN and 1/3DIN length tolerance are possible, please ask us for a quotation. For high temperature, low temperature, food application or special environments different kind of special lubricants are available. Please ask our sales team for any special needs. For drive chain calculation and right dimension check, please contact our engineering department, also see drive chain calculation data sheet on page 301. By filling this data sheet and sending this to our engineering department you will receive a detailed drive chain calculation including life time expectation. Sprockets are available for all roller chains, with pilot bore, fixed bore, keyway, setscrew or bearing bore with grooves. Standard toothing, hardened toothing or special toothing are possible with pilot bore, fixed bore or taper bush. Chain tools, tensioners and chain lubricants please see page 302-310.

Short pitch precision roller chains (B series)

With straight side plate ZT+ coated (ZinTek including chemical nickel plated pins)

Duplex roller chains

Part nr.	DIN/ISO 606 Chain no.	Pitch	Roller diameter	Width between inner plates	Pin diameter	Pin length		Inner plate depth	Plate thickness	Transverse pitch
		P	d1 max	b1 min	d2 max	L max	Lc max	h2 max	T max	
		mm	mm	mm	mm	mm	mm	mm	mm	
14506B-2ZT+	C06B-2ZT+	9,525	6,35	5,72	3,28	23,4	24,4	8,20	1,30	10,24
14508B-2ZT+	C08B-2ZT+	12,700	8,51	7,75	4,45	31,0	32,2	11,80	1,60	13,92
14510B-2ZT+	C10B-2ZT+	15,875	10,16	9,65	5,08	36,1	37,5	14,70	1,70	16,59
14512B-2ZT+	C12B-2ZT+	19,050	12,07	11,68	5,72	42,0	43,6	16,00	1,85	19,46
14516B-2ZT+	C16B-2ZT+	25,400	15,88	17,02	8,28	68,0	69,3	21,00	4,15/3,1	31,88
14520B-2ZT+	C20B-2ZT+	31,750	19,05	19,56	10,19	77,8	81,5	26,40	4,50/3,5	36,45
14524B-2ZT+	C24B-2ZT+	38,100	25,40	25,40	14,63	101,7	106,2	33,20	6,00/4,8	48,36
14528B-2ZT+	C28B-2ZT+	44,450	27,94	30,99	15,90	124,6	129,1	36,70	7,50/6,0	59,56
14532B-2ZT+	C32B-2ZT+	50,800	29,21	30,99	17,81	124,6	129,6	42,00	7,00/6,0	58,55



Ultimate tensile strength	Average tensile strength	Weight per meter	Available chain parts				
Q min	Q0	q	E	S	L	C	A
kN/lbf	kN	kg/m					
16,9/3841	18,7	0,77	X				X
32,0/7273	38,7	1,34	X				X
44,5/10114	56,2	1,84	X				X
57,8/13136	66,1	2,31	X				X
106,0/24091	152,0	5,42	X				X
170,0/38636	229	7,20					X
280,0/63636	319,2	13,40					X
360,0/81818	406,8	16,60					X
450,0/102273	508,5	21,00					X



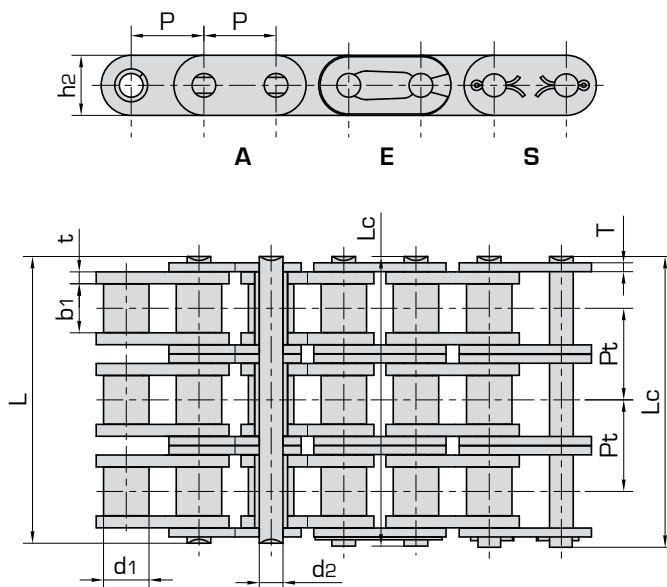
Donghua ZT+ roller chains are coated with the exact same zinc aluminium compound. Only the pins are chemical nickel plated. These chemical nickel plated pins do have a surface hardness of 1,000 HV and offers improved wear resistance. The corrosion resistance of these chemical nickel plated pins is excellent. All Donghua roller chains are: Pre-loaded, Fatigue resistant, Wear resistant and Pre-lubricated. Donghua simplex, duplex and triplex roller chains are manufactured according to ISO 606 DIN8187, standard pre-loaded, pre-lubricated, do have seamless rollers and are marked with production batch code number for complete traceability. All Donghua roller chains are sealed in plastic bags and packed in cardboard boxes with clear ISO 606 DIN descriptions and safety instructions. Standard packaging size is 5 meter box, reels are available on request. Cut to length service is available on request. Several test certificates like breaking load, length tolerance and material analyses are possible and available on request. Roller chains which are needed for 'run as pairs' applications can be matched as pairs on request. DIN, 1/2DIN and 1/3DIN length tolerance are possible, please ask us for a quotation. For high temperature, low temperature, food application or special environments different kind of special lubricants are available. Please ask our sales team for any special needs. For drive chain calculation and right dimension check, please contact our engineering department, also see drive chain calculation data sheet on page 301. By filling this data sheet and sending this to our engineering department you will receive a detailed drive chain calculation including life time expectation. Sprockets are available for all roller chains, with pilot bore, fixed bore, keyway, setscrew or bearing bore with grooves. Standard toothing, hardened toothing or special toothing are possible with pilot bore, fixed bore or taper bush. Chain tools, tensioners and chain lubricants please see page 302-310.

Short pitch precision roller chains (B series)

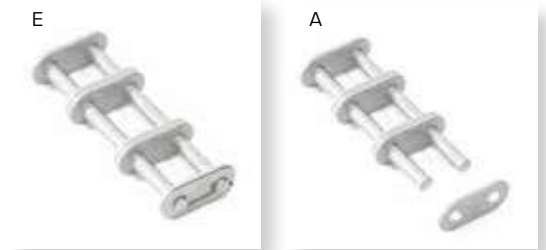
With straight side plate ZT+ coated (ZinTek including chemical nickel plated pins)

Triplex roller chains

Part nr.	DIN/ISO 606 Chain no.	Pitch	Roller diameter	Width between inner plates	Pin diameter	Pin length		Inner plate depth	Plate thickness	Transverse pitch
		P	d1 max	b1 min	d2 max	L max	Lc max	h2 max	T max	
		mm	mm	mm	mm	mm	mm	mm	mm	
14506B-3ZT+	C06B-3ZT+	9,525	6,35	5,72	3,28	33,5	34,6	8,20	1,30	10,24
145C08B-3ZT+	C08B-3ZT+	12,700	8,51	7,75	4,45	45,1	46,1	11,80	1,60	13,92
145C10B-3ZT+	C10B-3ZT+	15,875	10,16	9,65	5,08	52,7	54,1	14,70	1,70	16,59
145C12B-3ZT+	C12B-3ZT+	19,050	12,07	11,68	5,72	61,5	63,1	16,00	1,85	19,46
145C16B-3ZT+	C16B-3ZT+	25,400	15,88	17,02	8,28	99,8	101,2	21,00	4,15/3,1	31,88
145C20B-3ZT+	C20B-3ZT+	31,750	19,05	19,56	10,19	114,2	117,9	26,40	4,50/3,5	36,45
145C24B-3ZT+	C24B-3ZT+	38,100	25,40	25,40	14,63	150,1	154,6	33,20	6,00/4,8	48,36
145C28B-3ZT+	C28B-3ZT+	44,450	27,94	30,99	15,90	184,2	188,7	36,70	7,50/6,0	59,56
145C32B-3ZT+	C32B-3ZT+	50,800	29,21	30,99	17,81	183,2	188,2	42,00	7,00/6,0	58,55



Ultimate tensile strength	Average tensile strength	Weight per meter	Available chain parts				
Q min	Q0	q	E	S	L	C	A
kN/lbf	kN	kg/m					
24,9/5659	30,1	1,16	X				X
47,5/10795	57,8	2,03	X				X
66,7/15159	84,5	2,77	X				X
86,7/19705	101,8	3,46	X				X
160,0/36364	227,1	8,13	X				X
250,0/56818	334,3	10,82					X
425,0/96591	493,0	20,10					X
530,0/120454	609,5	24,92					X
670,0/152273	770,5	31,56					X



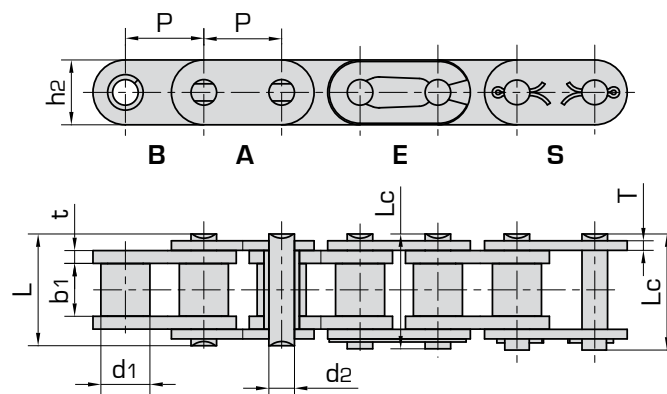
Donghua ZT+ roller chains are coated with the exact same zinc aluminium compound. Only the pins are chemical nickel plated. These chemical nickel plated pins do have a surface hardness of 1,000 HV and offers improved wear resistance. The corrosion resistance of these chemical nickel plated pins is excellent. All Donghua roller chains are: Pre-loaded, Fatigue resistant, Wear resistant and Pre-lubricated. Donghua simplex, duplex and triplex roller chains are manufactured according to ISO 606 DIN8187, standard pre-loaded, pre-lubricated, do have seamless rollers and are marked with production batch code number for complete traceability. All Donghua roller chains are sealed in plastic bags and packed in cardboard boxes with clear ISO 606 DIN descriptions and safety instructions. Standard packaging size is 5 meter box, reels are available on request. Cut to length service is available on request. Several test certificates like breaking load, length tolerance and material analyses are possible and available on request. Roller chains which are needed for 'run as pairs' applications can be matched as pairs on request. DIN, 1/2DIN and 1/3DIN length tolerance are possible, please ask us for a quotation. For high temperature, low temperature, food application or special environments different kind of special lubricants are available. Please ask our sales team for any special needs. For drive chain calculation and right dimension check, please contact our engineering department, also see drive chain calculation data sheet on page 301. By filling this data sheet and sending this to our engineering department you will receive a detailed drive chain calculation including life time expectation. Sprockets are available for all roller chains, with pilot bore, fixed bore, keyway, setscrew or bearing bore with grooves. Standard toothing, hardened toothing or special toothing are possible with pilot bore, fixed bore or taper bush. Chain tools, tensioners and chain lubricants please see page 302-310.

Short pitch precision roller chains (B series)

With straight side plate and hard chromize pins

Simplex roller chains

Part nr.	DIN/ISO 606 Chain no.	Pitch	Roller diameter	Width between inner plates	Pin diameter	Pin length		Inner plate depth	Plate thickness
		P	$d_1 \text{ max}$	$b_1 \text{ min}$	$d_2 \text{ max}$	$L \text{ max}$	$L_c \text{ max}$	$h_2 \text{ max}$	$T \text{ max}$
		mm	mm	mm	mm	mm	mm	mm	mm
14506B-1CP	C06B-1CP	9,525	6,35	5,72	3,28	13,15	14,1	8,20	1,30
145C08B-1CP	C08B-1CP	12,700	8,51	7,75	4,45	16,70	18,2	11,80	1,60
145C10B-1CP	C10B-1CP	15,875	10,16	9,65	5,08	19,50	20,9	14,70	1,70
145C12B-1CP	C12B-1CP	19,050	12,07	11,68	5,72	22,50	24,2	16,00	1,85
145C16B-1CP	C16B-1CP	25,400	15,88	17,02	8,28	36,10	37,4	21,00	4,15/3,1
145C20B-1CP	C20B-1CP	31,750	19,05	19,56	10,19	41,30	45,0	26,40	4,50/3,5
145C24B-1CP	C24B-1CP	38,100	25,40	25,40	14,63	53,40	57,8	33,20	6,00/4,8
145C28B-1CP	C28B-1CP	44,450	27,94	30,99	15,90	65,10	69,5	36,70	7,50/6,0
145C32B-1CP	C32B-1CP	50,800	29,21	30,99	17,81	66,00	71,0	42,00	7,00/6,0



Ultimate tensile strength	Average tensile strength	Weight per meter	Available chain parts					
$Q_{min} Q_{min}$	$Q_0 Q_0$	$q \quad q$						
kN/lbf	kN	kg/m	E	S	L	C	A	B
9,0/2045	77,1	0,41	X				X	
18,0/4091	112,8	0,69	X	X			X	
22,4/5091	178,0	0,93	X	X			X	
29,0/6591	236,4	1,15	X	X			X	
60,0/13636	277,5	2,71	X	X			X	
95,0/21591	106,7	3,70	X	X			X	
160,0/36364	178,0	7,10		X			X	
200,0/45455	222,0	8,50		X			X	
250,0/56818	277,5	10,25		X			X	



Solution range



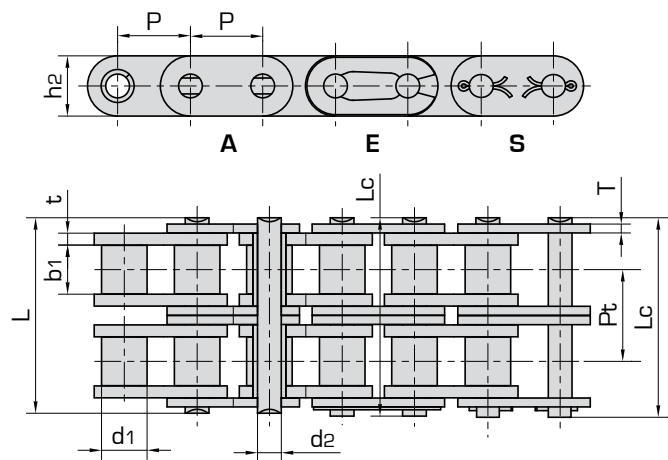
Donghua CP roller chains are built with hard chromized pins. The surface hardness is more than 1100 HV10 offering a +40% higher wear resistance than standard case hardened pins. Donghua CP roller chains are used for tough environments, high speed, and high frequency of movement in the bearing area resisting wear much better than case hardened pins. In combination with high sophisticated lubricant this technology brings a unique performance in wear resistance. All Donghua roller chains are: Pre-loaded, Fatigue resistant, Wear resistant and Pre-lubricated. Donghua simplex, duplex and triplex roller chains are manufactured according to ISO 606 DIN8187, standard pre-loaded, pre-lubricated, do have seamless rollers and are marked with production batch code number for complete traceability. All Donghua roller chains are sealed in plastic bags and packed in cardboard boxes with clear ISO 606 DIN descriptions and safety instructions. Standard packaging size is 5 meter box, reels are available on request. Cut to length service is available on request. Several test certificates like breaking load, length tolerance and material analyses are possible and available on request. Rollers chains which are needed for 'run as pairs' applications can be matched as pairs on request. DIN, 1/2DIN and 1/3DIN length tolerance are possible, please ask us for a quotation. For high temperature, low temperature, food application or special environments different kind of special lubricants are available. Please ask our sales team for any special needs. For drive chain calculation and right dimension check, please contact our engineering department, also see drive chain calculation data sheet on page 301. By filling this data sheet and sending this to our engineering department you will receive a detailed drive chain calculation including life time expectation. Sprockets are available for all roller chains, with pilot bore, fixed bore, keyway, setscrew or bearing bore with grooves. Standard toothing, hardened toothing or special toothing are possible with pilot bore, fixed bore or taper bush. Chain tools, tensioners and chain lubricants please see page 302-310.

Short pitch precision roller chains (B series)

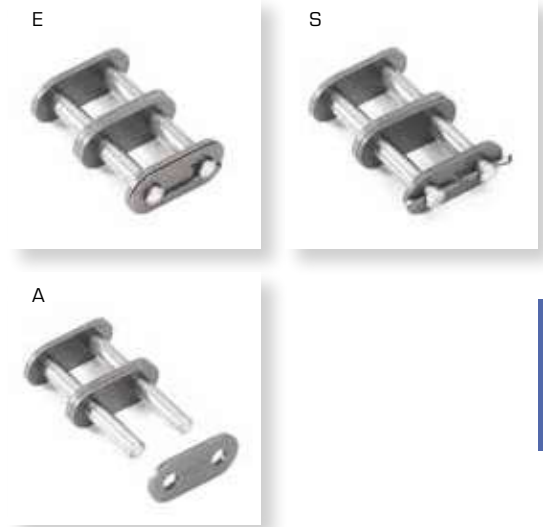
With straight side plate and hard chromize pins

Duplex roller chains

Part nr.	DIN/ISO 606 Chain no.	Pitch	Roller diameter	Width between inner plates	Pin diameter	Pin length		Inner plate depth	Plate thickness	Transverse pitch
		P	d1 max	b1 min	d2 max	L max	Lc max	h2 max	T max	
		mm	mm	mm	mm	mm	mm	mm	mm	
14506B-2CP	C06B-2CP	9,525	6,35	5,72	3,28	23,4	24,4	8,20	1,30	10,24
145C08B-2CP	C08B-2CP	12,700	8,51	7,75	4,45	31,0	32,2	11,80	1,60	13,92
145C10B-2CP	C10B-2CP	15,875	10,16	9,65	5,08	36,1	37,5	14,70	1,70	16,59
145C12B-2CP	C12B-2CP	19,050	12,07	11,68	5,72	42,0	43,6	16,00	1,85	19,46
145C16B-2CP	C16B-2CP	25,400	15,88	17,02	8,28	68,0	69,3	21,00	4,15/3,1	31,88
145C20B-2CP	C20B-2CP	31,750	19,05	19,56	10,19	77,8	81,5	26,40	4,50/3,5	36,45
145C24B-2CP	C24B-2CP	38,100	25,40	25,40	14,63	101,7	106,2	33,20	6,00/4,8	48,36
145C28B-2CP	C28B-2CP	44,450	27,94	30,99	15,90	124,6	129,1	36,70	7,50/6,0	59,56
145C32B-2CP	C32B-2CP	50,800	29,21	30,99	17,81	124,6	129,6	42,00	7,00/6,0	58,55



Ultimate tensile strength	Average tensile strength	Weight per meter	Available chain parts				
Q min	Q0	q	E	S	L	C	A
kN/lbf	kN	kg/m					
16,9/3841	18,7	0,77	X				X
32,0/7273	38,7	1,34	X	X			X
44,5/10114	56,2	1,84	X	X			X
57,8/13136	66,1	2,31	X	X			X
106,0/24091	152,0	5,42	X	X			X
170,0/38636	229	7,20		X			X
280,0/63636	319,2	13,40		X			X
360,0/81818	406,8	16,60		X			X
450,0/102273	508,5	21,00		X			X



Solution
range



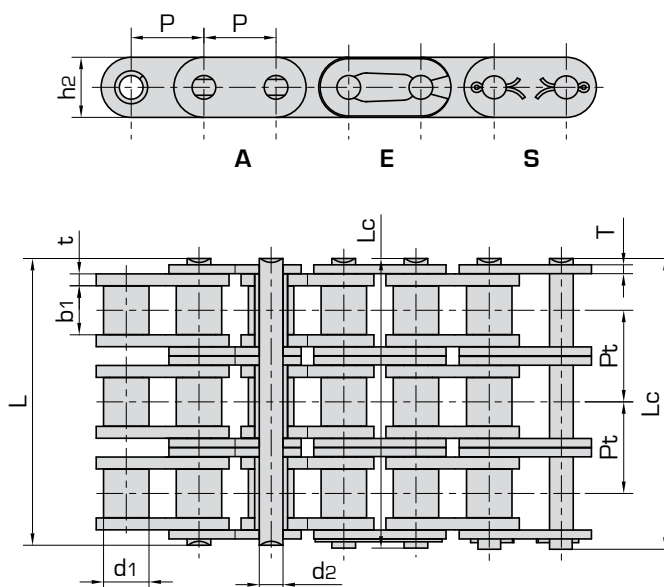
Donghua CP roller chains are built with hard chromized pins. The surface hardness is more than 1100 HV10 offering a +40% higher wear resistance than standard case hardened pins. Donghua CP roller chains are used for tough environments, high speed, and high frequency of movement in the bearing area resisting wear much better than case hardened pins. In combination with high sophisticated lubricant this technology brings a unique performance in wear resistance. All Donghua roller chains are: Pre-loaded, Fatigue resistant, Wear resistant and Pre-lubricated. Donghua simplex, duplex and triplex roller chains are manufactured according to ISO 606 DIN8187, standard pre-loaded, pre-lubricated, do have seamless rollers and are marked with production batch code number for complete traceability. All Donghua roller chains are sealed in plastic bags and packed in cardboard boxes with clear ISO 606 DIN descriptions and safety instructions. Standard packaging size is 5 meter box, reels are available on request. Cut to length service is available on request. Several test certificates like breaking load, length tolerance and material analyses are possible and available on request. Rollers chains which are needed for 'run as pairs' applications can be matched as pairs on request. DIN, 1/2DIN and 1/3DIN length tolerance are possible, please ask us for a quotation. For high temperature, low temperature, food application or special environments different kind of special lubricants are available. Please ask our sales team for any special needs. For drive chain calculation and right dimension check, please contact our engineering department, also see drive chain calculation data sheet on page 301. By filling this data sheet and sending this to our engineering department you will receive a detailed drive chain calculation including life time expectation. Sprockets are available for all roller chains, with pilot bore, fixed bore, keyway, setscrew or bearing bore with grooves. Standard toothing, hardened toothing or special toothing are possible with pilot bore, fixed bore or taper bush. Chain tools, tensioners and chain lubricants please see page 302-310.

Short pitch precision roller chains (B series)

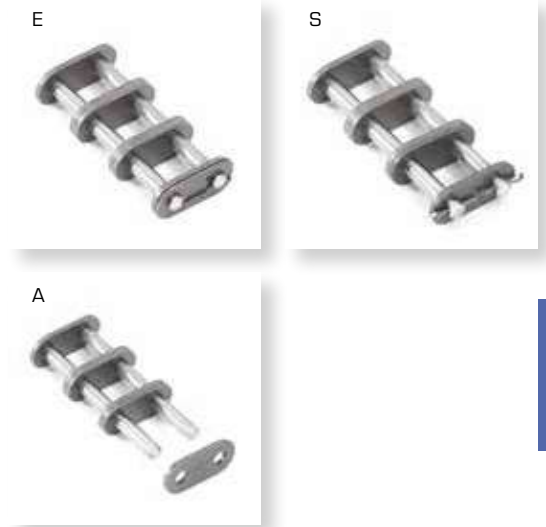
With straight side plate and hard chromize pins

Triplex roller chains

Part nr.	DIN/ISO 606 Chain no.	Pitch	Roller diameter	Width between inner plates	Pin diameter	Pin length		Inner plate depth	Plate thickness	Transverse pitch
		P	$d_1 \text{ max}$	$b_1 \text{ min}$	$d_2 \text{ max}$	$L \text{ max}$	$L_c \text{ max}$	$h_2 \text{ max}$	$T \text{ max}$	
		mm	mm	mm	mm	mm	mm	mm	mm	
14506B-3CP	C06B-3CP	9,525	6,35	5,72	3,28	33,5	34,6	8,20	1,30	10,24
145C08B-3CP	C08B-3CP	12,700	8,51	7,75	4,45	45,1	46,1	11,80	1,60	13,92
145C10B-3CP	C10B-3CP	15,875	10,16	9,65	5,08	52,7	54,1	14,70	1,70	16,59
145C12B-3CP	C12B-3CP	19,050	12,07	11,68	5,72	61,5	63,1	16,00	1,85	19,46
145C16B-3CP	C16B-3CP	25,400	15,88	17,02	8,28	99,8	101,2	21,00	4,15/3,1	31,88
145C20B-3CP	C20B-3CP	31,750	19,05	19,56	10,19	114,2	117,9	26,40	4,50/3,5	36,45
145C24B-3CP	C24B-3CP	38,100	25,40	25,40	14,63	150,1	154,6	33,20	6,00/4,8	48,36
145C28B-3CP	C28B-3CP	44,450	27,94	30,99	15,90	184,2	188,7	36,70	7,50/6,0	59,56
145C32B-3CP	C32B-3CP	50,800	29,21	30,99	17,81	183,2	188,2	42,00	7,00/6,0	58,55



Ultimate tensile strength	Average tensile strength	Weight per meter	Available chain parts				
Q min	Q0	q	E	S	L	C	A
kN/lbf	kN	kg/m					
24,9/5659	30,1	1,16	X				X
47,5/10795	57,8	2,03	X	X			X
66,7/15159	84,5	2,77	X	X			X
86,7/19705	101,8	3,46	X	X			X
160,0/36364	227,1	8,13	X	X			X
250,0/56818	334,3	10,82		X			X
425,0/96591	493,0	20,10		X			X
530,0/120454	609,5	24,92		X			X
670,0/152273	770,5	31,56		X			X



Solution range

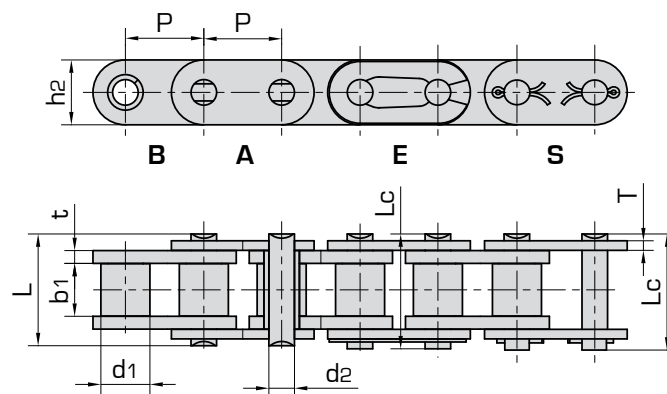


Donghua CP roller chains are built with hard chromized pins. The surface hardness is more than 1100 HV10 offering a +40% higher wear resistance than standard case hardened pins. Donghua CP roller chains are used for tough environments, high speed, and high frequency of movement in the bearing area resisting wear much better than case hardened pins. In combination with high sophisticated lubricant this technology brings a unique performance in wear resistance. All Donghua roller chains are: Pre-loaded, Fatigue resistant, Wear resistant and Pre-lubricated. Donghua simplex, duplex and triplex roller chains are manufactured according to ISO 606 DIN8187, standard pre-loaded, pre-lubricated, do have seamless rollers and are marked with production batch code number for complete traceability. All Donghua roller chains are sealed in plastic bags and packed in cardboard boxes with clear ISO 606 DIN descriptions and safety instructions. Standard packaging size is 5 meter box, reels are available on request. Cut to length service is available on request. Several test certificates like breaking load, length tolerance and material analyses are possible and available on request. Rollers chains which are needed for 'run as pairs' applications can be matched as pairs on request. DIN, 1/2DIN and 1/3DIN length tolerance are possible, please ask us for a quotation. For high temperature, low temperature, food application or special environments different kind of special lubricants are available. Please ask our sales team for any special needs. For drive chain calculation and right dimension check, please contact our engineering department, also see drive chain calculation data sheet on page 301. By filling this data sheet and sending this to our engineering department you will receive a detailed drive chain calculation including life time expectation. Sprockets are available for all roller chains, with pilot bore, fixed bore, keyway, setscrew or bearing bore with grooves. Standard toothing, hardened toothing or special toothing are possible with pilot bore, fixed bore or taper bush. Chain tools, tensioners and chain lubricants please see page 302-310.

Short pitch precision roller chains (B series) SLR (Self Lubricating Roller Chain) With straight side plates

Simplex roller chains

Part nr.	DIN/ISO 606 Chain no.	Pitch	Roller diameter	Width between inner plates	Pin diameter	Pin length		Inner plate depth	Plate thickness
		P	$d_1 \text{ max}$	$b_1 \text{ min}$	$d_2 \text{ max}$	$L \text{ max}$	$L_c \text{ max}$	$h_2 \text{ max}$	$T \text{ max}$
		mm	mm	mm	mm	mm	mm	mm	mm
140C06B-1SLR	C06B-1SLR	9,525	6,35	5,72	3,28	13,15	14,1	8,20	1,30
140C08B-1SLR	C08B-1SLR	12,700	8,51	7,75	4,45	16,70	18,2	11,80	1,60
140C10B-1SLR	C10B-1SLR	15,875	10,16	9,65	5,08	19,50	20,9	14,70	1,70
140C12B-1SLR	C12B-1SLR	19,050	12,07	11,68	5,72	22,50	24,2	16,00	1,85
140C16B-1SLR	C16B-1SLR	25,400	15,88	17,02	8,28	36,10	37,4	21,00	4,15/3,1
140C20B-1SLR	C20B-1SLR	31,750	19,05	19,56	10,19	41,30	45,0	26,40	4,50/3,5
140C24B-1SLR	C24B-1SLR	38,100	25,40	25,40	14,63	53,40	57,8	33,20	6,00/4,8



Ultimate tensile strength	Average tensile strength	Weight per meter	Available chain parts					
$Q_{min} Q_{min}$	$Q_0 Q_0$	$q q$						
kN/lbf	kN	kg/m	E	S	L	C	A	B
9,0/2045	10,4	0,41	X		X		X	
18,0/4091	19,4	0,69	X		X		X	
22,4/5091	27,5	0,93	X		X		X	
29,0/6591	32,2	1,15	X		X		X	
60,0/13636	77,1	2,71	X		X		X	
95,0/21591	112,8	3,70	X		X		X	
160,0/36364	178,0	7,10			X		X	

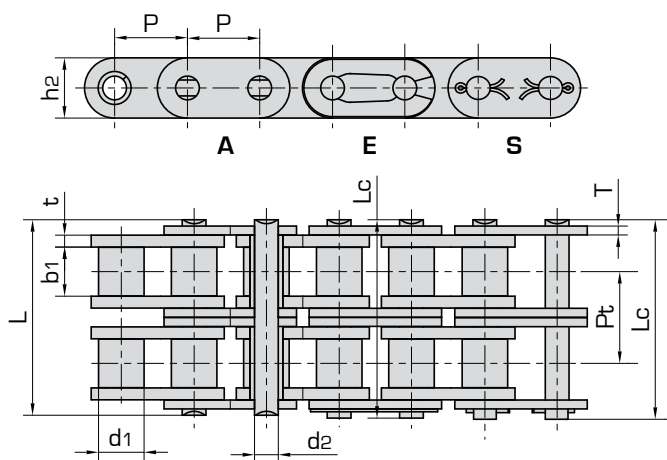


All Donghua SLR roller chains are made with Chemical Nickel Plated Pins and Hardened Sinter Steel Bushes. These components are self-lubricating. All other parts are Nickel Plated and protected against rust. Donghua SLR roller chains are used in applications where maintenance is not possible. Re-lubrication is not needed and not recommended. The outside of these SLR Roller Chains is dry. All Donghua roller chains are: Pre-loaded, Fatigue resistant, Wear resistant and Pre-lubricated. Donghua simplex, duplex and triplex roller chains are manufactured according to ISO 606 DIN8187, standard pre-loaded, pre-lubricated, do have seamless rollers and are marked with production batch code number for complete traceability. All Donghua roller chains are sealed in plastic bags and packed in cardboard boxes with clear ISO 606 DIN descriptions and safety instructions. Standard packaging size is 5 meter box, reels are available on request. Cut to length service is available on request. Several test certificates like breaking load, length tolerance and material analyses are possible and available on request. Rollers chains which are needed for 'run as pairs' applications can be matched as pairs on request. DIN, 1/2DIN and 1/3DIN length tolerance are possible, please ask us for a quotation. For high temperature, low temperature, food application or special environments different kind of special lubricants are available. Please ask our sales team for any special needs. For drive chain calculation and right dimension check, please contact our engineering department, also see drive chain calculation data sheet on page 301. By filling this data sheet and sending this to our engineering department you will receive a detailed drive chain calculation including life time expectation. Sprockets are available for all roller chains, with pilot bore, fixed bore, keyway, setscrew or bearing bore with grooves. Standard toothing, hardened toothing or special toothing are possible with pilot bore, fixed bore or taper bush. Chain tools, tensioners and chain lubricants please see page 302-310.

Short pitch precision roller chains (B series) SLR (Self Lubricating Roller Chain) With straight side plates

Duplex roller chains

Part nr.	DIN/ISO 606 Chain no.	Pitch	Roller diameter	Width between inner plates	Pin diameter	Pin length		Inner plate depth	Plate thickness	Transverse pitch
		P	d1 max	b1 min	d2 max	L max	Lc max	h2 max	T max	
		mm	mm	mm	mm	mm	mm	mm	mm	
140C06B-2SLR	C06B-2SLR	9,525	6,35	5,72	3,28	23,4	24,4	8,20	1,30	10,24
140C08B-2SLR	C08B-2SLR	12,700	8,51	7,75	4,45	31,0	32,2	11,80	1,60	13,92
140C10B-2SLR	C10B-2SLR	15,875	10,16	9,65	5,08	36,1	37,5	14,70	1,70	16,59
140C12B-2SLR	C12B-2SLR	19,050	12,07	11,68	5,72	42,0	43,6	16,00	1,85	19,46
140C16B-2SLR	C16B-2SLR	25,400	15,88	17,02	8,28	68,0	69,3	21,00	4,15/3,1	31,88
140C20B-2SLR	C20B-2SLR	31,750	19,05	19,56	10,19	77,8	81,5	26,40	4,50/3,5	36,45
140C24B-2SLR	C24B-2SLR	38,100	25,40	25,40	14,63	101,7	106,2	33,20	6,00/4,8	48,36



Ultimate tensile strength	Average tensile strength	Weight per meter	Available chain parts				
Q min	Q0	q	E	S	L	C	A
kN/lbf	kN	kg/m					
16,9/3841	18,7	0,77	X		X		X
32,0/7273	38,7	1,34	X		X		X
44,5/10114	56,2	1,84	X		X		X
57,8/13136	66,1	2,31	X		X		X
106,0/24091	152,0	5,42	X		X		X
170,0/38636	229	7,20			X		X
280,0/63636	319,2	13,40			X		X

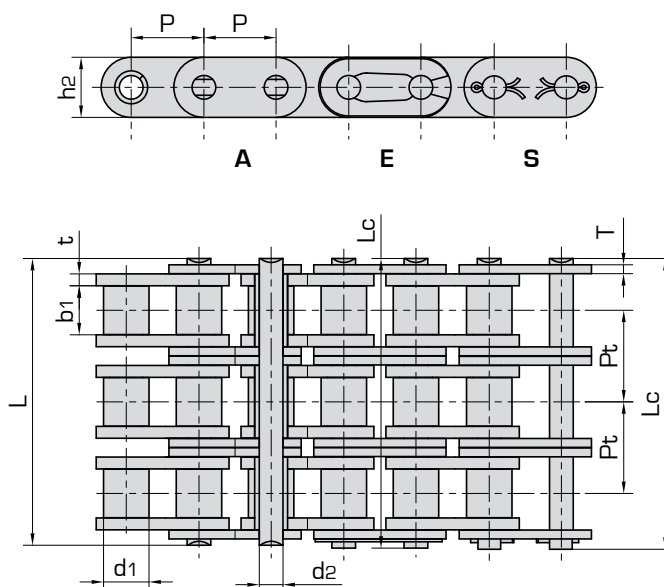


All Donghua SLR roller chains are made with Chemical Nickel Plated Pins and Hardened Sinter Steel Bushes. These components are self-lubricating. All other parts are Nickel Plated and protected against rust. Donghua SLR roller chains are used in applications where maintenance is not possible. Re-lubrication is not needed and not recommended. The outside of these SLR Roller Chains is dry. All Donghua roller chains are: Pre-loaded, Fatigue resistant, Wear resistant and Pre-lubricated. Donghua simplex, duplex and triplex roller chains are manufactured according to ISO 606 DIN8187, standard pre-loaded, pre-lubricated, do have seamless rollers and are marked with production batch code number for complete traceability. All Donghua roller chains are sealed in plastic bags and packed in cardboard boxes with clear ISO 606 DIN descriptions and safety instructions. Standard packaging size is 5 meter box, reels are available on request. Cut to length service is available on request. Several test certificates like breaking load, length tolerance and material analyses are possible and available on request. Rollers chains which are needed for 'run as pairs' applications can be matched as pairs on request. DIN, 1/2DIN and 1/3DIN length tolerance are possible, please ask us for a quotation. For high temperature, low temperature, food application or special environments different kind of special lubricants are available. Please ask our sales team for any special needs. For drive chain calculation and right dimension check, please contact our engineering department, also see drive chain calculation data sheet on page 301. By filling this data sheet and sending this to our engineering department you will receive a detailed drive chain calculation including life time expectation. Sprockets are available for all roller chains, with pilot bore, fixed bore, keyway, setscrew or bearing bore with grooves. Standard toothing, hardened toothing or special toothing are possible with pilot bore, fixed bore or taper bush. Chain tools, tensioners and chain lubricants please see page 302-310.

Short pitch precision roller chains (B series) SLR (Self Lubricating Roller Chain) With straight side plates

Triplex roller chains

Part nr.	DIN/ISO 606 Chain no.	Pitch	Roller diameter	Width between inner plates	Pin diameter	Pin length		Inner plate depth	Plate thickness	Transverse pitch
						L max	Lc max			
						P	d1 max			
mm	mm	mm	mm	mm	mm	mm	mm	mm	mm	
140C06B-3SLR	C06B-3SLR	9,525	6,35	5,72	3,28	33,5	34,6	8,20	1,30	10,24
140C08B-3SLR	C08B-3SLR	12,700	8,51	7,75	4,45	45,1	46,1	11,80	1,60	13,92
140C10B-3SLR	C10B-3SLR	15,875	10,16	9,65	5,08	52,7	54,1	14,70	1,70	16,59
140C12B-3SLR	C12B-3SLR	19,050	12,07	11,68	5,72	61,5	63,1	16,00	1,85	19,46
140C16B-3SLR	C16B-3SLR	25,400	15,88	17,02	8,28	99,8	101,2	21,00	4,15/3,1	31,88
140C20B-3SLR	C20B-3SLR	31,750	19,05	19,56	10,19	114,2	117,9	26,40	4,50/3,5	36,45
140C24B-3SLR	C24B-3SLR	38,100	25,40	25,40	14,63	150,1	154,6	33,20	6,00/4,8	48,36

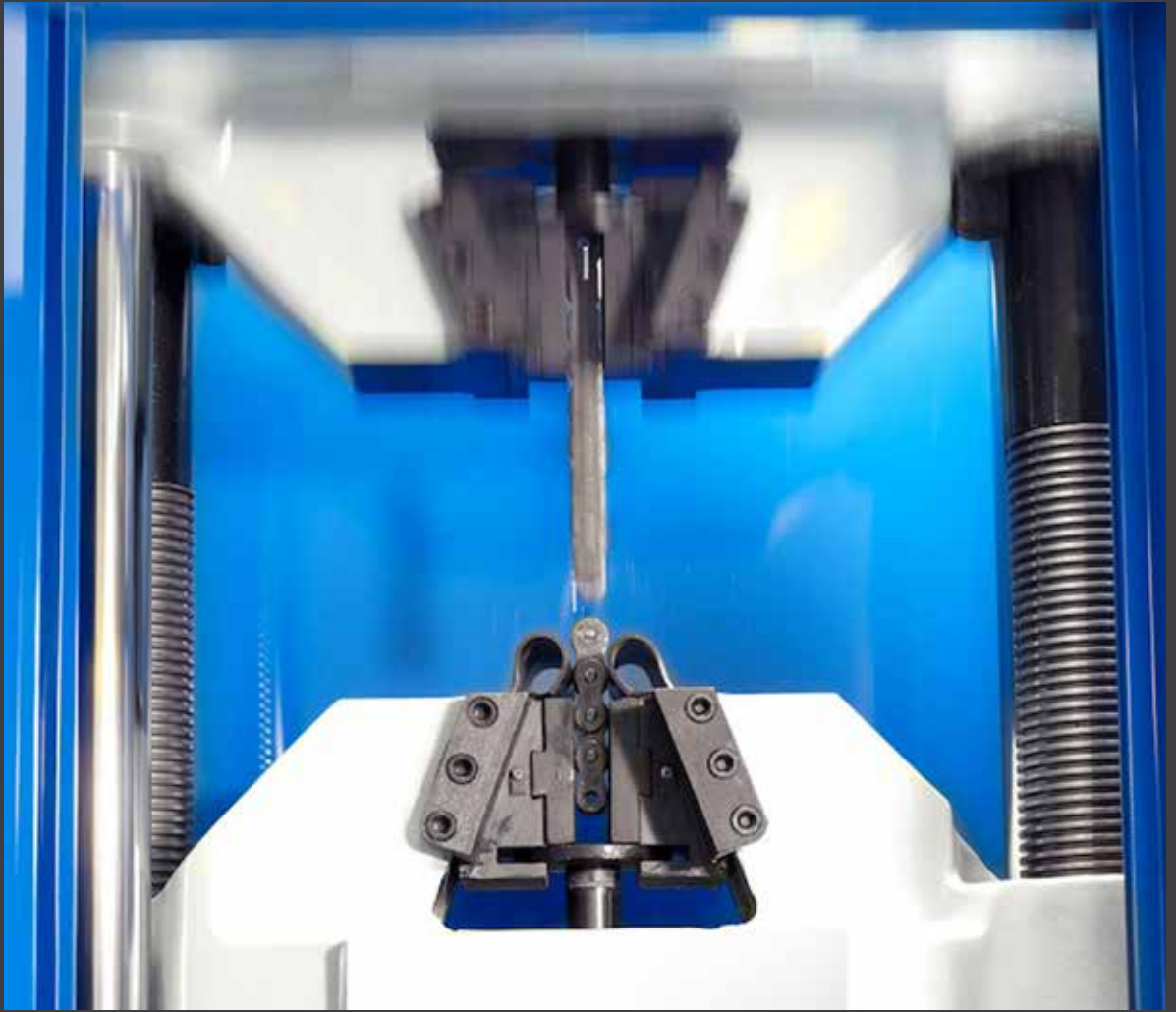


Ultimate tensile strength	Average tensile strength	Weight per meter	Available chain parts				
Q min	Q0	q	E	S	L	C	A
kN/lbf	kN	kg/m					
24,9/5659	30,1	1,16	X		X		X
47,5/10795	57,8	2,03	X		X		X
66,7/15159	84,5	2,77	X		X		X
86,7/19705	101,8	3,46	X		X		X
160,0/36364	227,1	8,13	X		X		X
250,0/56818	334,3	10,82			X		X
425,0/96591	493,0	20,10			X		X



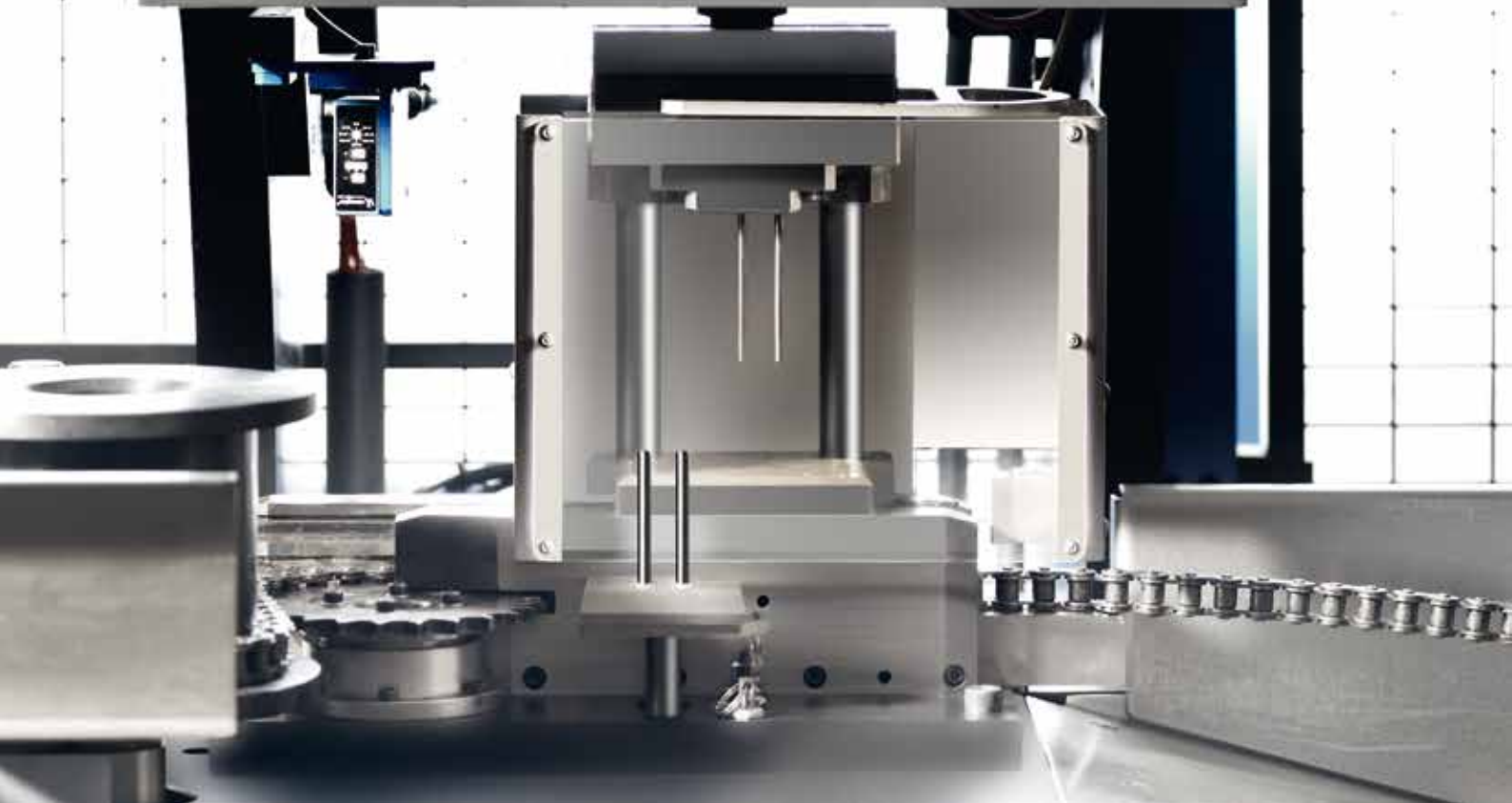
All Donghua SLR roller chains are made with Chemical Nickel Plated Pins and Hardened Sinter Steel Bushes. These components are self-lubricating. All other parts are Nickel Plated and protected against rust. Donghua SLR roller chains are used in applications where maintenance is not possible. Re-lubrication is not needed and not recommended. The outside of these SLR Roller Chains is dry. All Donghua roller chains are: Pre-loaded, Fatigue resistant, Wear resistant and Pre-lubricated. Donghua simplex, duplex and triplex roller chains are manufactured according to ISO 606 DIN8187, standard pre-loaded, pre-lubricated, do have seamless rollers and are marked with production batch code number for complete traceability. All Donghua roller chains are sealed in plastic bags and packed in cardboard boxes with clear ISO 606 DIN descriptions and safety instructions. Standard packaging size is 5 meter box, reels are available on request. Cut to length service is available on request. Several test certificates like breaking load, length tolerance and material analyses are possible and available on request. Rollers chains which are needed for 'run as pairs' applications can be matched as pairs on request. DIN, 1/2DIN and 1/3DIN length tolerance are possible, please ask us for a quotation. For high temperature, low temperature, food application or special environments different kind of special lubricants are available. Please ask our sales team for any special needs. For drive chain calculation and right dimension check, please contact our engineering department, also see drive chain calculation data sheet on page 301. By filling this data sheet and sending this to our engineering department you will receive a detailed drive chain calculation including life time expectation. Sprockets are available for all roller chains, with pilot bore, fixed bore, keyway, setscrew or bearing bore with grooves. Standard toothing, hardened toothing or special toothing are possible with pilot bore, fixed bore or taper bush. Chain tools, tensioners and chain lubricants please see page 302-310.

Solution range





DONGHUA



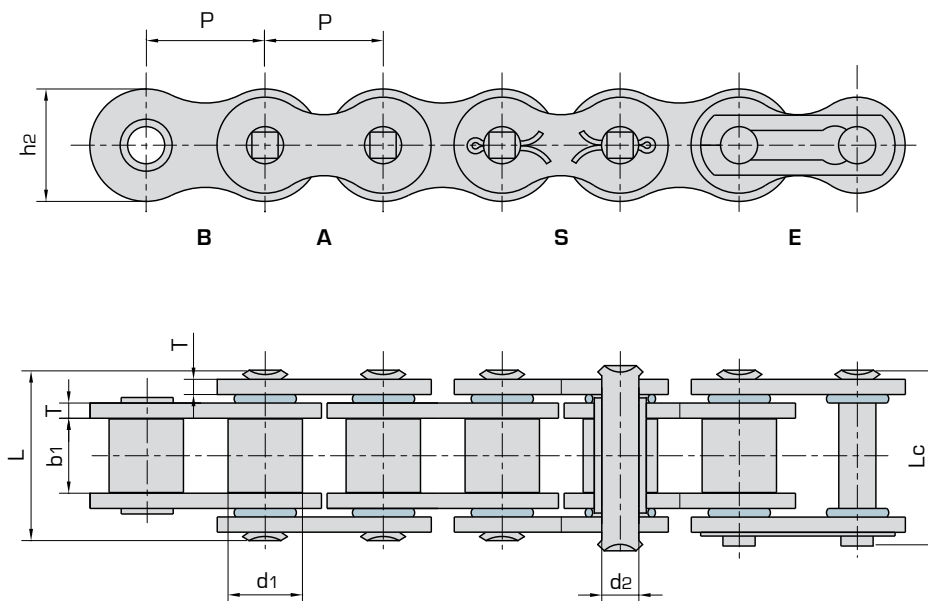
Short pitch precision roller chains (B series)

O-ring

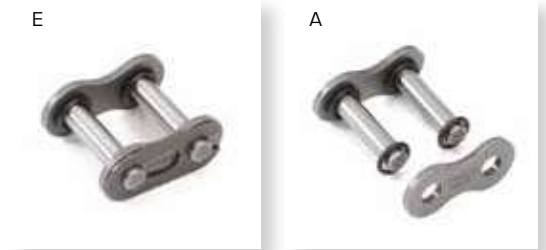
Simplex roller chains

Part nr.	DIN/ISO 606 Chain no.	Pitch	Roller diameter	Width between inner plates	Pin diameter	Pin length		Inner plate depth	Plate thickness
		P	$d_1 \text{ max}$	$b_1 \text{ min}$	$d_2 \text{ max}$	$L \text{ max}$	$L_c \text{ max}$	$h_2 \text{ max}$	$T \text{ max}$
		mm	mm	mm	mm	mm	mm	mm	mm
10008B-1OR	08B-1 OR	12,700	8,51	7,75	4,45	18,80	19,9	11,80	1,60
10010B-1OR*	10B-1 OR*	15,875	10,16	9,40	5,08	23,10	24,8	15,09	2,03
10012B-1OR	12B-1 OR	19,050	12,07	11,68	5,72	22,50	24,2	16,00	1,85
10016B-1OR	16B-1 OR	25,400	15,88	17,02	8,28	36,10	37,4	21,00	4,15/3,1
10020B-1OR	20B-1 OR	31,750	19,05	19,56	10,19	41,30	45,0	26,40	4,50/3,5
10024B-1OR	24B-1 OR	38,100	25,40	25,40	14,63	53,40	57,8	33,20	6,00/4,8

* Equal to ANSI 50-1 OR



Ultimate tensile strength	Average tensile strength	Weight per meter	Available chain parts						
Q min	Q0	q							
kN/lbf	kN	kg/m	E	S	L	C	A	B	
18,0/4091	19,4	0,74	X				X	X	
22,2/5045	29,4	1,19	X				X	X	
29,0/6591	32,2	1,15	X				X	X	
60,0/13636	72,8	2,71	X				X	X	
95,0/21591	106,7	3,70		X			X	X	
160,0/36364	178,0	7,10		X			X	X	



Solution
Range



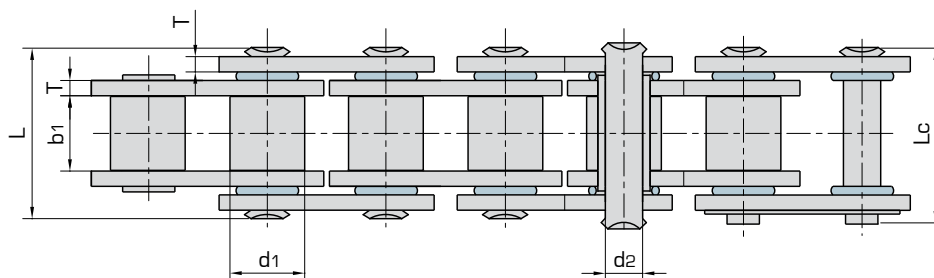
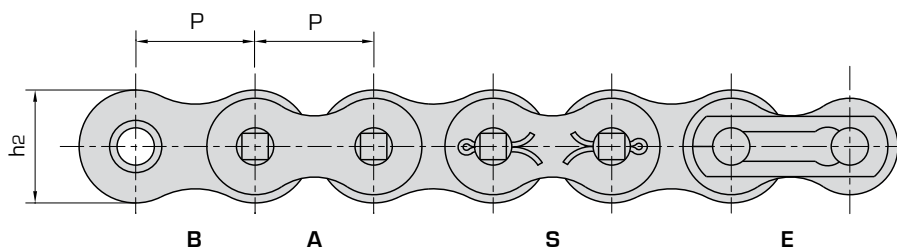
Our DONGHUA O-ring SERIES is within our Solution product range offering better wear resistance, better fatigue resistance and higher precision than our standard range. The superior quality, durability and outstanding wear and fatigue resistance are realized by an O-ring design between inner and outer plates, solid bushes and solid rollers and special highly sophisticated long lasting lubricant. The O-rings and/or X-rings keep the dust and pollution outside the pin/bush area and the long lasting lubricant inside the pin/bush area. All Donghua roller chains are: Pre-loaded, Fatigue resistant, Wear resistant and Pre-lubricated. Donghua simplex, duplex and triplex roller chains are manufactured according to ISO 606 DIN8187, standard pre-loaded, pre-lubricated, do have seamless rollers and are marked with production batch code number for complete traceability. All Donghua roller chains are sealed in plastic bags and packed in cardboard boxes with clear ISO 606 DIN descriptions and safety instructions. Standard packaging size is 5 meter box, reels are available on request. Cut to length service is available on request. Several test certificates like breaking load, length tolerance and material analyses are possible and available on request. Rollers chains which are needed for 'run as pairs' applications can be matched as pairs on request. DIN, 1/2DIN and 1/3DIN length tolerance are possible, please ask us for a quotation. For high temperature, low temperature, food application or special environments different kind of special lubricants are available. Please ask our sales team for any special needs. For drive chain calculation and right dimension check, please contact our engineering department, also see drive chain calculation data sheet on page 301. By filling this data sheet and sending this to our engineering department you will receive a detailed drive chain calculation including life time expectation. Sprockets are available for all roller chains, with pilot bore, fixed bore, keyway, setscrew or bearing bore with grooves. Standard toothing, hardened toothing or special toothing are possible with pilot bore, fixed bore or taper bush. Chain tools, tensioners and chain lubricants please see page 302-310.

Short pitch precision roller chains (A series)

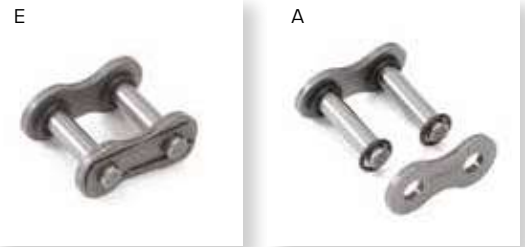
O-ring

Simplex roller chains

Part nr.	DIN/ISO 606 Chain no.	ANSI Chain no.	Pitch	Roller diameter	Width between inner plates	Pin diameter	Pin length		Inner plate depth	Plate thickness	Transverse pitch
			P	d1 max	b1 min	d2 max	L max	Lc max	h2 max	T max	
			mm	mm	mm	mm	mm	mm	mm	mm	
10040-1OR	08A-1 OR	40 OR	12,700	7,95	7,85	3,96	18,30	19,60	12,00	1,50	
10050-1OR	10A-1 OR	50 OR	15,875	10,16	9,40	5,08	23,10	24,80	15,09	2,03	
10060-1OR	12A-1 OR	60 OR	19,050	11,91	12,57	5,94	28,50	30,40	18,00	2,42	
10060HT-1OR	60A-1 HT OR	60HT OR	19,050	11,91	12,57	5,94	31,70	33,20	18,00	3,25	
10080-1OR	16A-1 OR	80 OR	25,400	15,88	15,75	7,92	35,60	37,30	24,00	3,25	
100100-1OR	20A-1 OR	100 OR	31,750	19,05	18,95	9,53	43,30	47,00	30,00	4,00	
100120-1OR	24A-1 OR	120 OR	38,100	22,23	25,22	11,11	54,00	57,50	35,70	4,80	



Ultimate tensile strength	Average tensile strength	Weight per meter	Available chain parts					
Q min	Q0	q						
kN/lbf	kN	kg/m	E	S	L	C	A	B
14,10/3205	17,5	0,67	X				X	
22,20/5045	29,4	1,19	X				X	
31,80/7227	41,5	1,62	X				X	
55,0/12500	58,0	1,96	X				X	
56,70/12886	69,4	2,70	X				X	
88,50/20114	109,2	3,98		X			X	
127,00/28864	156,3	6,34		X			X	



Our DONGHUA O-ring SERIES is within our Solution product range offering better wear resistance, better fatigue resistance and higher precision than our standard range. The superior quality, durability and outstanding wear and fatigue resistance are realized by an O-ring design between inner and outer plates, solid bushes and solid rollers and special highly sophisticated long lasting lubricant. The O-rings and/or X-rings keep the dust and pollution outside the pin/bush area and the long lasting lubricant inside the pin/bush area. All Donghua roller chains are: Pre-loaded, Fatigue resistant, Wear resistant and Pre-lubricated. Donghua simplex, duplex and triplex roller chains are manufactured according to ISO 606 DIN8187, standard pre-loaded, pre-lubricated, do have seamless rollers and are marked with production batch code number for complete traceability. All Donghua roller chains are sealed in plastic bags and packed in cardboard boxes with clear ISO 606 DIN descriptions and safety instructions. Standard packaging size is 5 meter box, reels are available on request. Cut to length service is available on request. Several test certificates like breaking load, length tolerance and material analyses are possible and available on request. Rollers chains which are needed for 'run as pairs' applications can be matched as pairs on request. DIN, 1/2DIN and 1/3DIN length tolerance are possible, please ask us for a quotation. For high temperature, low temperature, food application or special environments different kind of special lubricants are available. Please ask our sales team for any special needs. For drive chain calculation and right dimension check, please contact our engineering department, also see drive chain calculation data sheet on page 301. By filling this data sheet and sending this to our engineering department you will receive a detailed drive chain calculation including life time expectation. Sprockets are available for all roller chains, with pilot bore, fixed bore, keyway, setscrew or bearing bore with grooves. Standard toothing, hardened toothing or special toothing are possible with pilot bore, fixed bore or taper bush. Chain tools, tensioners and chain lubricants please see page 302-310.

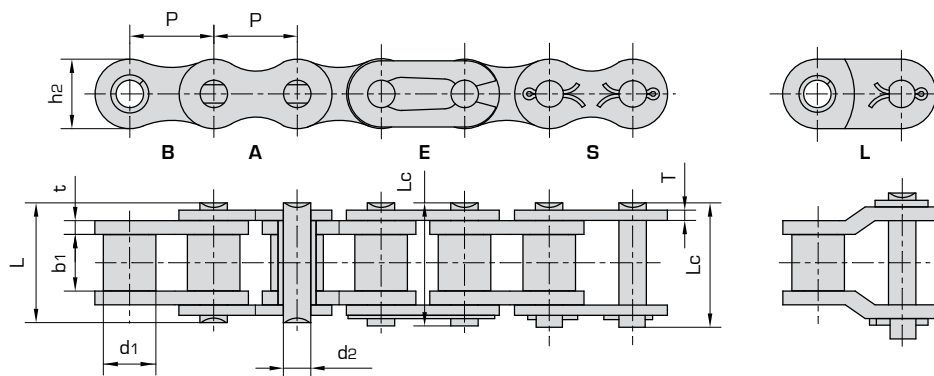
Short pitch precision roller chains (B series)

Stainless steel AISI304 (1.4301)

Simplex roller chains

Part nr.	DIN/ISO 606 Chain no.	Pitch	Roller diameter	Width between inner plates	Pin diameter	Pin length		Inner plate depth	Plate thickness
		P	d1 max	b1 min	d2 max	L max	Lc max	h2 max	T max
		mm	mm	mm	mm	mm	mm	mm	mm
12004B-1SS	04B-1SS	6,000	4,00	2,80	1,85	6,80	7,8	5,00	0,60
12005B-1SS	05B-1SS	8,000	5,00	3,00	2,31	8,20	8,9	7,10	0,80
12006B-1SS	*06B-1SS	9,525	6,35	5,72	3,28	13,15	14,1	8,20	1,30
12008B-1SS	08B-1SS	12,700	8,51	7,75	4,45	16,70	18,2	11,80	1,60
12010B-1SS	10B-1SS	15,875	10,16	9,65	5,08	19,50	20,9	14,70	1,70
12012B-1SS	12B-1SS	19,050	12,07	11,68	5,72	22,50	24,2	16,00	1,85
12016B-1SS	16B-1SS	25,400	15,88	17,02	8,28	36,10	37,4	21,00	4,15/3,1
12020B-1SS	20B-1SS	31,750	19,05	19,56	10,19	41,30	45,0	26,40	4,50/3,5
12024B-1SS	24B-1SS	38,100	25,40	25,40	14,63	53,40	57,8	33,20	6,00/4,8
12028B-1SS	28B-1SS	44,450	27,94	30,99	15,90	65,10	69,5	36,70	7,50/6,0
12032B-1SS	32B-1SS	50,800	29,21	30,99	17,81	66,00	71,0	42,00	7,00/6,0

* Straight side plates



Ultimate tensile strength	Average tensile strength	Weight per meter	Available chain parts					
Q min	Q0	q	E	S	L	C	A	B
kN/lbf	kN	kg/m						
1,3/303		0,11	X		X		X	
2,3/530		0,20	X		X		X	
4,1/939		0,41	X		X		X	
8,0/1818		0,70	X	X	X		X	
9,7/2197		0,94	X	X	X		X	
12,3/2803		1,16	X	X	X		X	
26,7/6061		2,73	X	X	X		X	
39,3/8939		3,73	X	X	X		X	
69,3/16969		7,20		X	X		X	
86,0/18146		8,50		X	X		X	
100,0/22727		10,25		X	X		X	



Solution
range



Donghua Stainless Steel Roller Chains meet the high requirements in the food industry. For special food applications there are different food grade lubricants available. Please ask our engineering department. Donghua Stainless Steel Roller Chains cannot replace standard carbon steel roller chains in the same size. Breaking Load and Wear Resistance differ too much. Please ask our engineering department for the right dimensional choice per drive. All Donghua roller chains are: Pre-loaded, Fatigue resistant and Wear resistant. Pre-lubricated is possible on request. By default these stainless steel roller chains are not lubricated! Donghua simplex, duplex and triplex roller chains are manufactured according to ISO 606 DIN8187, standard pre-loaded, pre-lubrication on request, do have seamless rollers and are marked with production batch code number for complete traceability. All Donghua roller chains are sealed in plastic bags and packed in cardboard boxes with clear ISO 606 DIN descriptions and safety instructions. Standard packaging size is 5 meter box, reels are available on request. Cut to length service is available on request. Several test certificates like breaking load, length tolerance and material analyses are possible and available on request. Rollers chains which are needed for 'run as pairs' applications can be matched as pairs on request. DIN, 1/2DIN and 1/3DIN length tolerance are possible, please ask us for a quotation. For high temperature, low temperature, food application or special environments different kind of special lubricants are available. Please ask our sales team for any special needs. For drive chain calculation and right dimension check, please contact our engineering department, also see drive chain calculation data sheet on page 301. By filling this data sheet and sending this to our engineering department you will receive a detailed drive chain calculation including life time expectation. Sprockets are available for all roller chains, with pilot bore, fixed bore, keyway, setscrew or bearing bore with grooves. Standard toothing, hardened toothing or special toothing are possible with pilot bore, fixed bore or taper bush. Chain tools, tensioners and chain lubricants please see page 302-310.

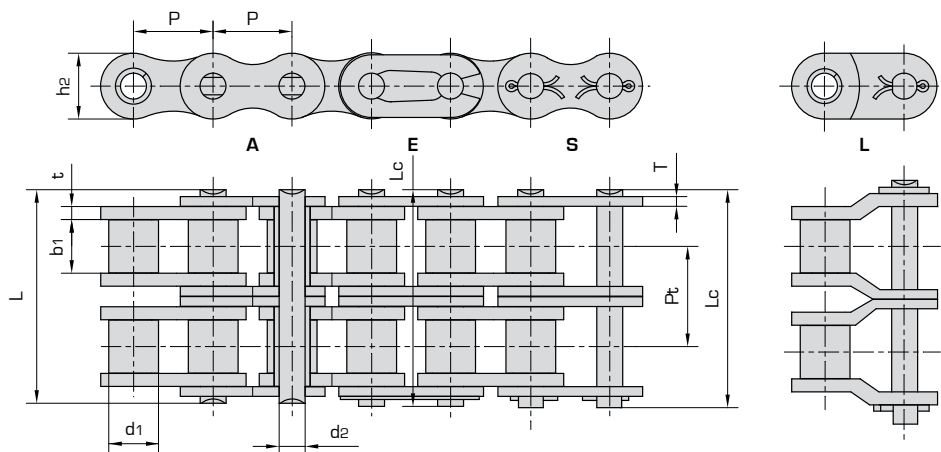
Short pitch precision roller chains (B series)

Stainless steel AISI304 (1.4301)

Duplex roller chains

Part nr.	DIN/ISO 606 Chain no.	Pitch	Roller diameter	Width between inner plates	Pin diameter	Pin length		Inner plate depth	Plate thickness	Transverse pitch
		P	d1 max	b1 min	d2 max	L max	Lc max	h2 max	T max	
		mm	mm	mm	mm	mm	mm	mm	mm	
12005B-2SS	05B-2SS	8,000	5,00	3,00	2,31	13,9	14,5	7,10	0,80	5,64
12006B-2SS	*06B-2SS	9,525	6,35	5,72	3,28	23,4	24,4	8,20	1,30	10,24
12008B-2SS	08B-2SS	12,700	8,51	7,75	4,45	31,0	32,2	11,80	1,60	13,92
12010B-2SS	10B-2SS	15,875	10,16	9,65	5,08	36,1	37,5	14,70	1,70	16,59
12012B-2SS	12B-2SS	19,050	12,07	11,68	5,72	42,0	43,6	16,00	1,85	19,46
12016B-2SS	16B-2SS	25,400	15,88	17,02	8,28	68,0	69,3	21,00	4,15/3,1	31,88
12020B-2SS	20B-2SS	31,750	19,05	19,56	10,19	77,8	81,5	26,40	4,50/3,5	36,45
12024B-2SS	24B-2SS	38,100	25,40	25,40	14,63	101,7	106,2	33,20	6,00/4,8	48,36
12028B-2SS	28B-2SS	44,450	27,94	30,99	15,90	124,6	129,1	36,70	7,50/6,0	59,56
12032B-2SS	32B-2SS	50,800	29,21	30,99	17,81	124,6	129,6	42,00	7,00/6,0	58,55

* Straight side plates



Ultimate tensile strength	Average tensile strength	Weight per meter	Available chain parts				
Q min	Q0	q	E	S	L	C	A
kN/lbf	kN	kg/m					
4,0/899		0,33	X		X		X
7,9/1783		0,77	X		X		X
13,6/3057		1,34	X	X	X		X
16,4/3694		1,84	X	X	X		X
21,0/4713		2,31	X	X	X		X
45,3/10191		5,42	X	X	X		X
66,7/14987		7,20		X	X		X
117,9/26497		13,40		X	X		X
146,2/32867		16,60		X	X		X
170,0/38217		21,00		X	X		X



Donghua Stainless Steel Roller Chains meet the high requirements in the food industry. For special food applications there are different food grade lubricants available. Please ask our engineering department. Donghua Stainless Steel Roller Chains cannot replace standard carbon steel roller chains in the same size. Breaking Load and Wear Resistance differ too much. Please ask our engineering department for the right dimensional choice per drive. All Donghua roller chains are: Pre-loaded, Fatigue resistant and Wear resistant. Pre-lubricated is possible on request. By default these stainless steel roller chains are not lubricated! Donghua simplex, duplex and triplex roller chains are manufactured according to ISO 606 DIN8187, standard pre-loaded, pre-lubrication on request, do have seamless rollers and are marked with production batch code number for complete traceability. All Donghua roller chains are sealed in plastic bags and packed in cardboard boxes with clear ISO 606 DIN descriptions and safety instructions. Standard packaging size is 5 meter box, reels are available on request. Cut to length service is available on request. Several test certificates like breaking load, length tolerance and material analyses are possible and available on request. Rollers chains which are needed for 'run as pairs' applications can be matched as pairs on request. DIN, 1/2DIN and 1/3DIN length tolerance are possible, please ask us for a quotation. For high temperature, low temperature, food application or special environments different kind of special lubricants are available. Please ask our sales team for any special needs. For drive chain calculation and right dimension check, please contact our engineering department, also see drive chain calculation data sheet on page 301. By filling this data sheet and sending this to our engineering department you will receive a detailed drive chain calculation including life time expectation. Sprockets are available for all roller chains, with pilot bore, fixed bore, keyway, setscrew or bearing bore with grooves. Standard toothing, hardened toothing or special toothing are possible with pilot bore, fixed bore or taper bush. Chain tools, tensioners and chain lubricants please see page 302-310.

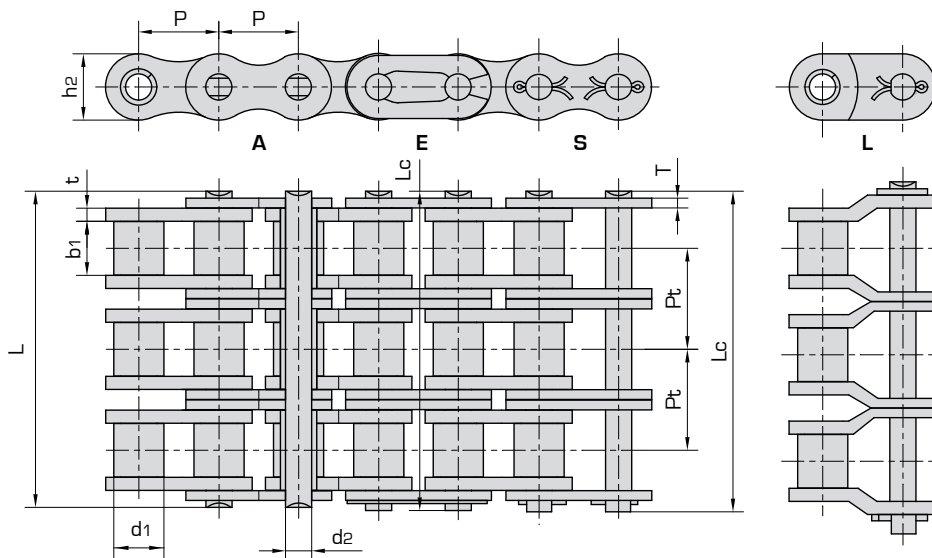
Short pitch precision roller chains (B series)

Stainless steel AISI304 (1.4301)

Triplex roller chains

Part nr.	DIN/ISO 606 Chain no.	Pitch	Roller diameter	Width between inner plates	Pin diameter		Pin length		Inner plate depth	Plate thickness	Transverse pitch
					d1 max	d2 max	L max	Lc max			
					mm	mm	mm	mm			
12006B-3SS	*06B-3SS	9,525	6,35	5,72	3,28	33,5	34,6	8,20	1,30	10,24	
12008B-3SS	08B-3SS	12,700	8,51	7,75	4,45	45,1	46,1	11,80	1,60	13,92	
12010B-3SS	10B-3SS	15,875	10,16	9,65	5,08	52,7	54,1	14,70	1,70	16,59	
12012B-3SS	12B-3SS	19,050	12,07	11,68	5,72	61,5	63,1	16,00	1,85	19,46	
12016B-3SS	16B-3SS	25,400	15,88	17,02	8,28	99,8	101,2	21,00	4,15/3,1	31,88	
12020B-3SS	20B-3SS	31,750	19,05	19,56	10,19	114,2	117,9	26,40	4,50/3,5	36,45	
12024B-3SS	24B-3SS	38,100	25,40	25,40	14,63	150,1	154,6	33,20	6,00/4,8	48,36	
12028B-3SS	28B-3SS	44,450	27,94	30,99	15,90	184,2	188,7	36,70	7,50/6,0	59,56	
12032B-3SS	32B-3SS	50,800	29,21	30,99	17,81	183,2	188,2	42,00	7,00/6,0	58,55	

* Straight side plates



Ultimate tensile strength	Average tensile strength	Weight per meter	Available chain parts				
Q min	Q0	q	E	S	L	C	A
kN/lbf	kN	kg/m					
12,6/2832		1,16	X		X		X
21,7/4871		2,03	X	X	X		X
26,0/5845		2,77	X	X	X		X
33,0/7419		3,46	X	X	X		X
72,0/16186		8,13	X	X	X		X
106,7/23979		10,82		X	X		X
188,0/42264		20,10		X	X		X
233,9/52575		24,92		X	X		X
272,0/61148		31,56		X	X		X



Donghua Stainless Steel Roller Chains meet the high requirements in the food industry. For special food applications there are different food grade lubricants available. Please ask our engineering department. Donghua Stainless Steel Roller Chains cannot replace standard carbon steel roller chains in the same size. Breaking Load and Wear Resistance differ too much. Please ask our engineering department for the right dimensional choice per drive. All Donghua roller chains are: Pre-loaded, Fatigue resistant and Wear resistant. Pre-lubricated is possible on request. By default these stainless steel roller chains are not lubricated! Donghua simplex, duplex and triplex roller chains are manufactured according to ISO 606 DIN8187, standard pre-loaded, pre-lubrication on request, do have seamless rollers and are marked with production batch code number for complete traceability. All Donghua roller chains are sealed in plastic bags and packed in cardboard boxes with clear ISO 606 DIN descriptions and safety instructions. Standard packaging size is 5 meter box, reels are available on request. Cut to length service is available on request. Several test certificates like breaking load, length tolerance and material analyses are possible and available on request. Rollers chains which are needed for 'run as pairs' applications can be matched as pairs on request. DIN, 1/2DIN and 1/3DIN length tolerance are possible, please ask us for a quotation. For high temperature, low temperature, food application or special environments different kind of special lubricants are available. Please ask our sales team for any special needs. For drive chain calculation and right dimension check, please contact our engineering department, also see drive chain calculation data sheet on page 301. By filling this data sheet and sending this to our engineering department you will receive a detailed drive chain calculation including life time expectation. Sprockets are available for all roller chains, with pilot bore, fixed bore, keyway, setscrew or bearing bore with grooves. Standard toothing, hardened toothing or special toothing are possible with pilot bore, fixed bore or taper bush. Chain tools, tensioners and chain lubricants please see page 302-310.

Short pitch precision roller chains (A series)

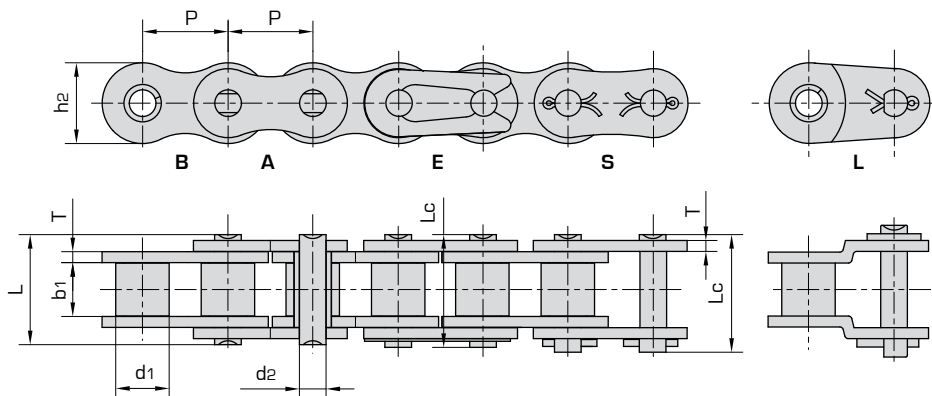
Stainless steel AISI304 (1.4301)

Simplex roller chains & bush chains

Part nr.	DIN/ISO 606 Chain no.	ANSI Chain no.	Pitch	Roller diameter	Width between inner plates	Pin diameter	Pin length	Inner plate depth	Plate thickness	
			P	d1 max	b1 min	d2 max	L max	Lc max	h2 max	T max
			mm	mm	mm	mm	mm	mm	mm	mm
12025-1SS	*04C-1SS	*25SS	6,350	3,30	3,18	2,31	7,90	8,40	6,00	0,80
12035-1SS	*06C-1SS	*35SS	9,525	5,08	4,77	3,58	12,40	13,17	9,00	1,30
12041-1SS	085-1SS	41SS	12,700	7,77	6,25	3,58	13,75	15,00	9,91	1,30
12040-1SS	08A-1SS	40SS	12,700	7,95	7,85	3,96	16,60	17,80	12,00	1,50
12050-1SS	10A-1SS	50SS	15,875	10,16	9,40	5,08	20,70	22,20	15,09	2,03
12060-1SS	12A-1SS	60SS	19,050	11,91	12,57	5,94	25,90	27,70	18,00	2,42
12080-1SS	16A-1SS	80SS	25,400	15,88	15,75	7,92	32,70	35,00	24,00	3,25
120100-1SS	20A-1SS	100SS	31,750	19,05	18,90	9,53	40,40	44,70	30,00	4,00
120120-1SS	24A-1SS	120SS	38,100	22,23	25,22	11,10	50,30	54,30	35,70	4,80
120140-1SS	28A-1SS	140SS	44,450	25,40	25,22	12,70	54,40	59,00	41,00	5,60
120160-1SS	32A-1SS	160SS	50,800	28,58	31,55	14,27	64,80	69,60	47,80	6,40

* Bush chain: d1 in the table indicates the external diameter of the bush.

* Straight side plates



Ultimate tensile strength	Average tensile strength	Weight per meter	Available chain parts					
Q min	Q0	q	E	S	L	C	A	B
kN/lbf	kN	kg/m						
3,50/795		0,15	X				X	
7,90/1795		0,33	X		X		X	
6,67/1516		0,41	X		X		X	
14,10/3205		0,62	X		X		X	
22,20/5045		1,02	X		X		X	
31,80/7227		1,50	X		X		X	
56,70/12886		2,60	X		X		X	
88,50/20114		3,91		X	X		X	
127,00/28864		5,62		X	X		X	
172,40/39182		7,50		X	X		X	
226,80/51545		10,10		X	X		X	



Donghua Stainless Steel Roller Chains meet the high requirements in the food industry. For special food applications there are different food grade lubricants available. Please ask our engineering department. Donghua Stainless Steel Roller Chains cannot replace standard carbon steel roller chains in the same size. Breaking Load and Wear Resistance differ too much. Please ask our engineering department for the right dimensional choice per drive. All Donghua roller chains are: Pre-loaded, Fatigue resistant and Wear resistant. Pre-lubricated is possible on request. By default these stainless steel roller chains are not lubricated! Donghua simplex, duplex and triplex roller chains are manufactured according to ISO 606 DIN8187, standard pre-loaded, pre-lubrication on request, do have seamless rollers and are marked with production batch code number for complete traceability. All Donghua roller chains are sealed in plastic bags and packed in cardboard boxes with clear ISO 606 DIN descriptions and safety instructions. Standard packaging size is 5 meter box, reels are available on request. Cut to length service is available on request. Several test certificates like breaking load, length tolerance and material analyses are possible and available on request. Rollers chains which are needed for 'run as pairs' applications can be matched as pairs on request. DIN, 1/2DIN and 1/3DIN length tolerance are possible, please ask us for a quotation. For high temperature, low temperature, food application or special environments different kind of special lubricants are available. Please ask our sales team for any special needs. For drive chain calculation and right dimension check, please contact our engineering department, also see drive chain calculation data sheet on page 301. By filling this data sheet and sending this to our engineering department you will receive a detailed drive chain calculation including life time expectation. Sprockets are available for all roller chains, with pilot bore, fixed bore, keyway, setscrew or bearing bore with grooves. Standard toothing, hardened toothing or special toothing are possible with pilot bore, fixed bore or taper bush. Chain tools, tensioners and chain lubricants please see page 302-310.

Short pitch precision roller chains (A series)

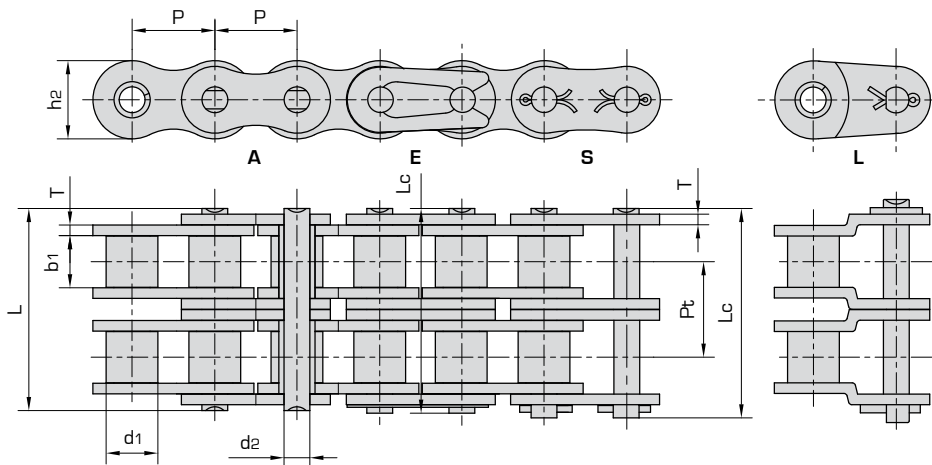
Stainless steel AISI304 (1.4301)

Duplex roller chains & bush chains

Part nr.	DIN/ISO 606 Chain no.	ANSI Chain no.	Pitch	Roller diameter	Width between inner plates	Pin diameter	Pin length		Inner plate depth	Plate thickness	Transverse pitch
			P	d1 max	b1 min	d2 max	L max	Lc max	h2 max	T max	
			mm	mm	mm	mm	mm	mm	mm	mm	mm
12025-2SS	*04C-2SS	*25-2SS	6,350	3,30	3,18	2,31	14,5	15,0	6,00	0,80	6,40
12035-2SS	*06C-2SS	*35-2SS	9,525	5,08	4,77	3,58	22,5	23,3	9,00	1,30	10,13
12041-2SS	085-2SS	41-2SS	12,700	7,77	6,25	3,58	25,7	26,9	9,91	1,30	11,95
12040-2SS	08A-2SS	40-2SS	12,700	7,95	7,85	3,96	31,0	32,2	12,00	1,50	14,38
12050-2SS	10A-2SS	50-2SS	15,875	10,16	9,40	5,08	38,9	40,4	15,09	2,03	18,11
12060-2SS	12A-2SS	60-2SS	19,050	11,91	12,57	5,94	48,8	50,5	18,00	2,42	22,78
12080-2SS	16A-2SS	80-2SS	25,400	15,88	15,75	7,92	62,7	64,3	24,00	3,25	29,29
120100-2SS	20A-2SS	100-2SS	31,750	19,05	18,90	9,53	76,4	80,5	30,00	4,00	35,76
120120-2SS	24A-2SS	120-2SS	38,100	22,23	25,22	11,10	95,8	99,7	35,70	4,80	45,44
120140-2SS	28A-2SS	140-2SS	44,450	25,40	25,22	12,70	103,3	107,9	41,00	5,60	48,87
120160-2SS	32A-2SS	160-2SS	50,800	28,58	31,55	14,27	123,3	128,1	47,80	6,40	58,55

* Bush chain: d1 in the table indicates the external diameter of the bush.

* Straight side plates



Ultimate tensile strength	Average tensile strength	Weight per meter	Available chain parts				
Q min	Q0	q	E	S	L	C	A
kN/lbf	kN	kg/m					
7,00/1591		0,28	X				X
15,80/3591		0,63	X				X
13,34/3032		0,81	X		X		X
28,20/6409		1,12	X		X		X
44,40/10091		2,00	X		X		X
63,60/14455		2,92	X		X		X
113,40/25773		5,15	X		X		X
177,00/40227		7,80		X	X		X
254,00/57727		11,70		X	X		X
344,80/78364		15,14		X	X		X
453,60/103091		20,14		X	X		X



Donghua Stainless Steel Roller Chains meet the high requirements in the food industry. For special food applications there are different food grade lubricants available. Please ask our engineering department. Donghua Stainless Steel Roller Chains cannot replace standard carbon steel roller chains in the same size. Breaking Load and Wear Resistance differ too much. Please ask our engineering department for the right dimensional choice per drive. All Donghua roller chains are: Pre-loaded, Fatigue resistant and Wear resistant. Pre-lubricated is possible on request. By default these stainless steel roller chains are not lubricated! Donghua simplex, duplex and triplex roller chains are manufactured according to ISO 606 DIN8187, standard pre-loaded, pre-lubrication on request, do have seamless rollers and are marked with production batch code number for complete traceability. All Donghua roller chains are sealed in plastic bags and packed in cardboard boxes with clear ISO 606 DIN descriptions and safety instructions. Standard packaging size is 5 meter box, reels are available on request. Cut to length service is available on request. Several test certificates like breaking load, length tolerance and material analyses are possible and available on request. Rollers chains which are needed for 'run as pairs' applications can be matched as pairs on request. DIN, 1/2DIN and 1/3DIN length tolerance are possible, please ask us for a quotation. For high temperature, low temperature, food application or special environments different kind of special lubricants are available. Please ask our sales team for any special needs. For drive chain calculation and right dimension check, please contact our engineering department, also see drive chain calculation data sheet on page 301. By filling this data sheet and sending this to our engineering department you will receive a detailed drive chain calculation including life time expectation. Sprockets are available for all roller chains, with pilot bore, fixed bore, keyway, setscrew or bearing bore with grooves. Standard toothing, hardened toothing or special toothing are possible with pilot bore, fixed bore or taper bush. Chain tools, tensioners and chain lubricants please see page 302-310.

Short pitch precision roller chains (A series)

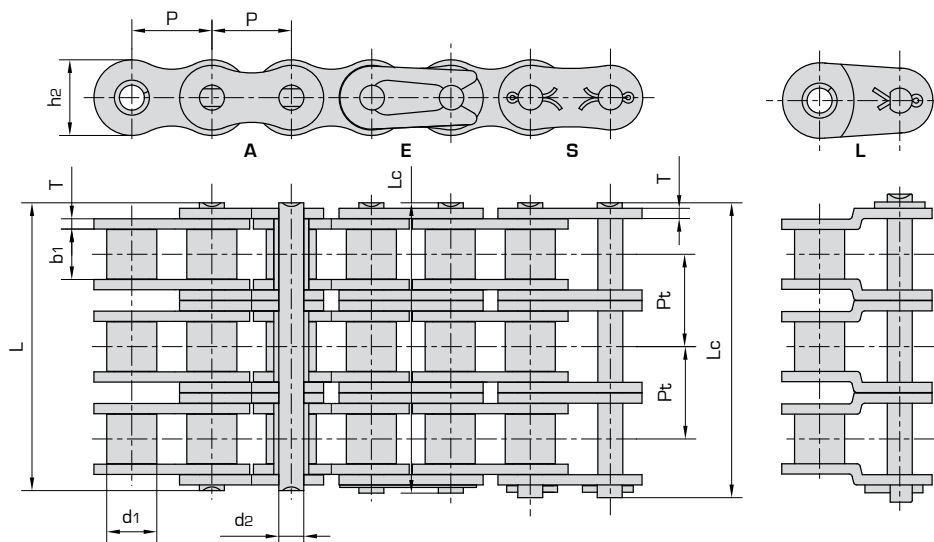
Stainless steel AISI304(1.4301)

Triplex roller chains & bush chains

Part nr.	DIN/ISO 606 Chain no.	ANSI Chain no.	Pitch	Roller diameter	Width between inner plates	Pin diameter	Pin length		Inner plate depth	Plate thickness	Transverse pitch
				d1 max	b1 min	d2 max	L max	Lc max	h2 max	T max	
				mm	mm	mm	mm	mm	mm	mm	
12025-3SS	*04C-3SS	*25-3SS	6,350	3,30	3,18	2,31	21,0	21,5	6,00	0,80	6,40
12035-3SS	*06C-3SS	*35-3SS	9,525	5,08	4,77	3,58	32,7	33,5	9,00	1,30	10,13
12040-3SS	08A-3SS	40-3SS	12,700	7,95	7,85	3,96	45,4	46,6	12,00	1,50	14,38
12050-3SS	10A-3SS	50-3SS	15,875	10,16	9,40	5,08	57,0	58,5	15,09	2,03	18,11
12060-3SS	12A-3SS	60-3SS	19,050	11,91	12,57	5,94	71,5	73,3	18,00	2,42	22,78
12080-3SS	16A-3SS	80-3SS	25,400	15,88	15,75	7,92	91,7	93,6	24,00	3,25	29,29
120100-3SS	20A-3SS	100-3SS	31,750	19,05	18,90	9,53	112,2	116,3	30,00	4,00	35,76
120120-3SS	24A-3SS	120-3SS	38,100	22,23	25,22	11,10	141,4	145,2	35,70	4,80	45,44
120140-3SS	28A-3SS	140-3SS	44,450	25,40	25,22	12,70	152,2	156,8	41,00	5,60	48,87
120160-3SS	32A-3SS	160-3SS	50,800	28,58	31,55	14,27	181,8	186,6	47,80	6,40	58,55

* Bush chain: d1 in the table indicates the external diameter of the bush.

* Straight side plates



Ultimate tensile strength	Average tensile strength	Weight per meter	Available chain parts				
Q min	Q0	q	E	S	L	C	A
kN/lbf	kN	kg/m					
10,5/2386		0,44	X				X
23,7/5386		1,05	X				X
42,3/9614		1,90	X		X		X
66,6/15136		3,09	X		X		X
95,4/21682		4,54	X		X		X
170,1/38659		7,89	X		X		X
265,5/60341		11,77		X	X		X
381,0/86591		17,53		X	X		X
517,2/117545		22,20		X	X		X
680,4/154636		30,02		X	X		X



Donghua Stainless Steel Roller Chains meet the high requirements in the food industry. For special food applications there are different food grade lubricants available. Please ask our engineering department. Donghua Stainless Steel Roller Chains cannot replace standard carbon steel roller chains in the same size. Breaking Load and Wear Resistance differ too much. Please ask our engineering department for the right dimensional choice per drive. All Donghua roller chains are: Pre-loaded, Fatigue resistant and Wear resistant. Pre-lubricated is possible on request. By default these stainless steel roller chains are not lubricated! Donghua simplex, duplex and triplex roller chains are manufactured according to ISO 606 DIN8187, standard pre-loaded, pre-lubrication on request, do have seamless rollers and are marked with production batch code number for complete traceability. All Donghua roller chains are sealed in plastic bags and packed in cardboard boxes with clear ISO 606 DIN descriptions and safety instructions. Standard packaging size is 5 meter box, reels are available on request. Cut to length service is available on request. Several test certificates like breaking load, length tolerance and material analyses are possible and available on request. Rollers chains which are needed for 'run as pairs' applications can be matched as pairs on request. DIN, 1/2DIN and 1/3DIN length tolerance are possible, please ask us for a quotation. For high temperature, low temperature, food application or special environments different kind of special lubricants are available. Please ask our sales team for any special needs. For drive chain calculation and right dimension check, please contact our engineering department, also see drive chain calculation data sheet on page 301. By filling this data sheet and sending this to our engineering department you will receive a detailed drive chain calculation including life time expectation. Sprockets are available for all roller chains, with pilot bore, fixed bore, keyway, setscrew or bearing bore with grooves. Standard toothing, hardened toothing or special toothing are possible with pilot bore, fixed bore or taper bush. Chain tools, tensioners and chain lubricants please see page 302-310.

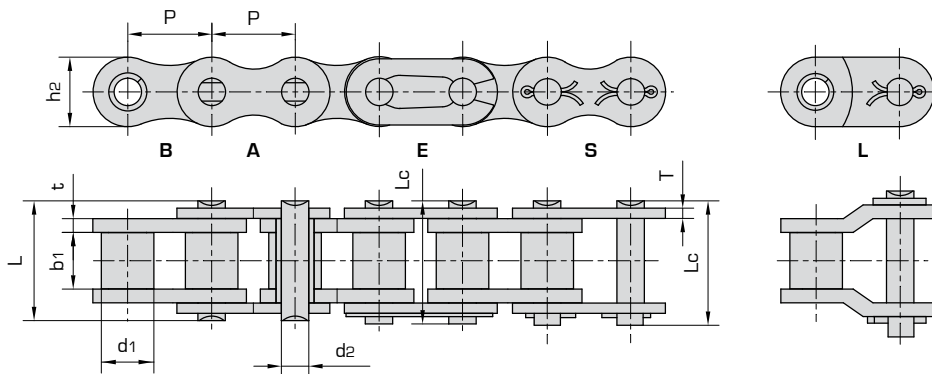
Short pitch precision roller chains (B series)

Stainless steel AISI304 (1.4301) SS Plus with hard chromized pins

Simplex roller chains

Part nr.	DIN/ISO 606 Chain no.	Pitch	Roller diameter	Width between inner plates	Pin diameter	Pin length		Inner plate depth	Plate thickness
						L max	Lc max		
		P	d1 max	b1 min	d2 max	L max	Lc max	h2 max	T max
		mm	mm	mm	mm	mm	mm	mm	mm
12106B-1SS PLUS	*06B-1SS PLUS	9,525	6,35	5,72	3,28	13,15	14,1	8,20	1,30
12108B-1SS PLUS	08B-1SS PLUS	12,700	8,51	7,75	4,45	16,70	18,2	11,80	1,60
12110B-1SS PLUS	10B-1SS PLUS	15,875	10,16	9,65	5,08	19,50	20,9	14,70	1,70
12112B-1SS PLUS	12B-1SS PLUS	19,050	12,07	11,68	5,72	22,50	24,2	16,00	1,85
12116B-1SS PLUS	16B-1SS PLUS	25,400	15,88	17,02	8,28	36,10	37,4	21,00	4,15/3,1
12120B-1SS PLUS	20B-1SS PLUS	31,750	19,05	19,56	10,19	41,30	45,0	26,40	4,50/3,5
12124B-1SS PLUS	24B-1SS PLUS	38,100	25,40	25,40	14,63	53,40	57,8	33,20	6,00/4,8
12128B-1SS PLUS	28B-1SS PLUS	44,450	27,94	30,99	15,90	65,10	69,5	36,70	7,50/6,0
12132B-1SS PLUS	32B-1SS PLUS	50,800	29,21	30,99	17,81	66,00	71,0	42,00	7,00/6,0

* Straight side plates



Ultimate tensile strength	Average tensile strength	Weight per meter	Available chain parts						
Q min	Q0	q	E	S	L	C	A	B	
kN/lbf	kN	kg/m							
6,2/1409		0,41	X		X		X		
12,0/2727		0,70	X	X	X		X		
14,5/3295		0,94	X	X	X		X		
18,5/4205		1,16	X	X	X		X		
40,0/9091		2,73	X	X	X		X		
59,0/13409		3,73	X	X	X		X		
104,0/25454		7,20		X	X		X		
129,0/27219		8,50		X	X		X		
150,0/34090		10,25		X	X		X		



Solution Range



Donghua SS PLUS Stainless Steel Roller Chain offer a +30% higher wear resistance than normal Stainless Steel Roller Chains. Thanks to the use of hard chromized pins, this wear resistance performance is realized. Donghua Stainless Steel Roller Chains meet the high requirements in the Food industry. For special food applications there are different food grade lubricants available. Please ask our engineering department. Donghua Stainless Steel Roller Chains cannot replace standard carbon steel roller chains in the same size. Breaking Load and Wear Resistance differ too much. Please ask our engineering department for the right dimensional choice per drive. All Donghua roller chains are: Pre-loaded, Fatigue resistant and Wear resistant. Pre-lubricated is possible on request. By default these stainless steel roller chains are not lubricated! Donghua simplex, duplex and triplex roller chains are manufactured according to ISO 606 DIN8187, standard pre-loaded, pre-lubrication on request, do have seamless rollers and are marked with production batch code number for complete traceability. All Donghua roller chains are sealed in plastic bags and packed in cardboard boxes with clear ISO 606 DIN descriptions and safety instructions. Standard packaging size is 5 meter box, reels are available on request. Cut to length service is available on request. Several test certificates like breaking load, length tolerance and material analyses are possible and available on request. Rollers chains which are needed for 'run as pairs' applications can be matched as pairs on request. DIN, 1/2DIN and 1/3DIN length tolerance are possible, please ask us for a quotation. For high temperature, low temperature, food application or special environments different kind of special lubricants are available. Please ask our sales team for any special needs. For drive chain calculation and right dimension check, please contact our engineering department, also see drive chain calculation data sheet on page 301. By filling this data sheet and sending this to our engineering department you will receive a detailed drive chain calculation including life time expectation. Sprockets are available for all roller chains, with pilot bore, fixed bore, keyway, setscrew or bearing bore with grooves. Standard toothing, hardened toothing or special toothing are possible with pilot bore, fixed bore or taper bush. Chain tools, tensioners and chain lubricants please see page 302-310.

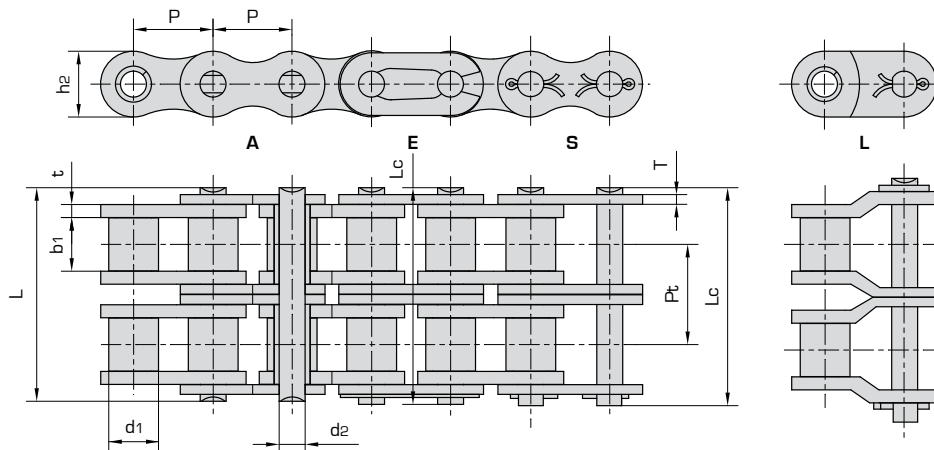
Short pitch precision roller chains (B series)

Stainless steel AISI304 (1.4301) SS Plus with hard chromized pins

Duplex roller chains

Part nr.	DIN/ISO 606 Chain no.	Pitch	Roller diameter	Width between inner plates	Pin diameter	Pin length		Inner plate depth	Plate thickness	Transverse pitch
						L max	Lc max			
		P	d1 max	b1 min	d2 max	L max	Lc max	h2 max	T max	
		mm	mm	mm	mm	mm	mm	mm	mm	
12106B-2SS PLUS	*06B-2SS PLUS	9,525	6,35	5,72	3,28	23,4	24,4	8,20	1,30	10,24
12108B-2SS PLUS	08B-2SS PLUS	12,700	8,51	7,75	4,45	31,0	32,2	11,80	1,60	13,92
12110B-2SS PLUS	10B-2SS PLUS	15,875	10,16	9,65	5,08	36,1	37,5	14,70	1,70	16,59
12112B-2SS PLUS	12B-2SS PLUS	19,050	12,07	11,68	5,72	42,0	43,6	16,00	1,85	19,46
12116B-2SS PLUS	16B-2SS PLUS	25,400	15,88	17,02	8,28	68,0	69,3	21,00	4,15/3,1	31,88
12120B-2SS PLUS	20B-2SS PLUS	31,750	19,05	19,56	10,19	77,8	81,5	26,40	4,50/3,5	36,45
12124B-2SS PLUS	24B-2SS PLUS	38,100	25,40	25,40	14,63	101,7	106,2	33,20	6,00/4,8	48,36
12128B-2SS PLUS	28B-2SS PLUS	44,450	27,94	30,99	15,90	124,6	129,1	36,70	7,50/6,0	59,56
12132B-2SS PLUS	32B-2SS PLUS	50,800	29,21	30,99	17,81	124,6	129,6	42,00	7,00/6,0	58,55

* Straight side plates



Ultimate tensile strength	Average tensile strength	Weight per meter	Available chain parts				
Q min	Q0	q	E	S	L	C	A
kN/lbf	kN	kg/m					
11,9/2675		0,77	X		X		X
20,40/4586		1,34	X	X	X		X
24,65/5541		1,84	X	X	X		X
31,45/7070		2,31	X	X	X		X
68,0/15287		5,42	X	X	X		X
100,0/22480		7,20		X	X		X
176,8/39746		13,40		X	X		X
219,3/49300		16,60		X	X		X
255,0/57326		21,00		X	X		X



Donghua SS PLUS Stainless Steel Roller Chain offer a +30% higher wear resistance than normal Stainless Steel Roller Chains. Thanks to the use of hard chromized pins, this wear resistance performance is realized. Donghua Stainless Steel Roller Chains meet the high requirements in the Food industry. For special food applications there are different food grade lubricants available. Please ask our engineering department. Donghua Stainless Steel Roller Chains cannot replace standard carbon steel roller chains in the same size. Breaking Load and Wear Resistance differ too much. Please ask our engineering department for the right dimensional choice per drive. All Donghua roller chains are: Pre-loaded, Fatigue resistant and Wear resistant. Pre-lubricated is possible on request. By default these stainless steel roller chains are not lubricated! Donghua simplex, duplex and triplex roller chains are manufactured according to ISO 606 DIN8187, standard pre-loaded, pre-lubrication on request, do have seamless rollers and are marked with production batch code number for complete traceability. All Donghua roller chains are sealed in plastic bags and packed in cardboard boxes with clear ISO 606 DIN descriptions and safety instructions. Standard packaging size is 5 meter box, reels are available on request. Cut to length service is available on request. Several test certificates like breaking load, length tolerance and material analyses are possible and available on request. Rollers chains which are needed for 'run as pairs' applications can be matched as pairs on request. DIN, 1/2DIN and 1/3DIN length tolerance are possible, please ask us for a quotation. For high temperature, low temperature, food application or special environments different kind of special lubricants are available. Please ask our sales team for any special needs. For drive chain calculation and right dimension check, please contact our engineering department, also see drive chain calculation data sheet on page 301. By filling this data sheet and sending this to our engineering department you will receive a detailed drive chain calculation including life time expectation. Sprockets are available for all roller chains, with pilot bore, fixed bore, keyway, setscrew or bearing bore with grooves. Standard toothing, hardened toothing or special toothing are possible with pilot bore, fixed bore or taper bush. Chain tools, tensioners and chain lubricants please see page 302-310.

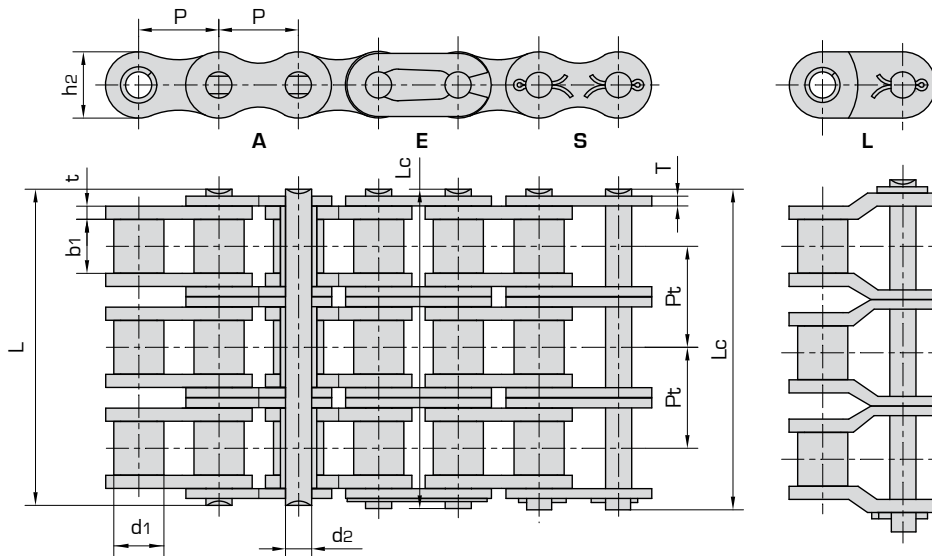
Short pitch precision roller chains (B series)

Stainless steel AISI304 (1.4301) SS Plus with hard chromized pins

Triplex roller chains

Part nr.	DIN/ISO 606 Chain no.	Pitch	Roller diameter	Width between inner plates	Pin diameter	Pin length		Inner plate depth	Plate thickness	Transverse pitch
						L max	Lc max			
		P	d1 max	b1 min	d2 max	L max	Lc max	h2 max	T max	
		mm	mm	mm	mm	mm	mm	mm	mm	
12106B-3SS PLUS	*06B-3SS PLUS	9,525	6,35	5,72	3,28	33,5	34,6	8,20	1,30	10,24
12108B-3SS PLUS	08B-3SS PLUS	12,700	8,51	7,75	4,45	45,1	46,1	11,80	1,60	13,92
12110B-3SS PLUS	10B-3SS PLUS	15,875	10,16	9,65	5,08	52,7	54,1	14,70	1,70	16,59
12112B-3SS PLUS	12B-3SS PLUS	19,050	12,07	11,68	5,72	61,5	63,1	16,00	1,85	19,46
12116B-3SS PLUS	16B-3SS PLUS	25,400	15,88	17,02	8,28	99,8	101,2	21,00	4,15/3,1	31,88
12120B-3SS PLUS	20B-3SS PLUS	31,750	19,05	19,56	10,19	114,2	117,9	26,40	4,50/3,5	36,45
12124B-3SS PLUS	24B-3SS PLUS	38,100	25,40	25,40	14,63	150,1	154,6	33,20	6,00/4,8	48,36
12128B-3SS PLUS	28B-3SS PLUS	44,450	27,94	30,99	15,90	184,2	188,7	36,70	7,50/6,0	59,56
12132B-3SS PLUS	32B-3SS PLUS	50,800	29,21	30,99	17,81	183,2	188,2	42,00	7,00/6,0	58,55

* Straight side plates



Ultimate tensile strength	Average tensile strength	Weight per meter	Available chain parts				
Q min	Q0	q	E	S	L	C	A
kN/lbf	kN	kg/m					
18,9/4248		1,16	X		X		X
32,5/7306		2,03	X	X	X		X
39,0/8767		2,77	X	X	X		X
49,5/11128		3,46	X	X	X		X
108,0/24279		8,13	X	X	X		X
160,0/35969		10,82		X	X		X
282,0/63396		20,10		X	X		X
350,8/78862		24,92		X	X		X
408,0/91722		31,56		X	X		X



Donghua SS PLUS Stainless Steel Roller Chain offer a +30% higher wear resistance than normal Stainless Steel Roller Chains. Thanks to the use of hard chromized pins, this wear resistance performance is realized. Donghua Stainless Steel Roller Chains meet the high requirements in the Food industry. For special food applications there are different food grade lubricants available. Please ask our engineering department. Donghua Stainless Steel Roller Chains cannot replace standard carbon steel roller chains in the same size. Breaking Load and Wear Resistance differ too much. Please ask our engineering department for the right dimensional choice per drive. All Donghua roller chains are: Pre-loaded, Fatigue resistant and Wear resistant. Pre-lubricated is possible on request. By default these stainless steel roller chains are not lubricated! Donghua simplex, duplex and triplex roller chains are manufactured according to ISO 606 DIN8187, standard pre-loaded, pre-lubrication on request, do have seamless rollers and are marked with production batch code number for complete traceability. All Donghua roller chains are sealed in plastic bags and packed in cardboard boxes with clear ISO 606 DIN descriptions and safety instructions. Standard packaging size is 5 meter box, reels are available on request. Cut to length service is available on request. Several test certificates like breaking load, length tolerance and material analyses are possible and available on request. Rollers chains which are needed for 'run as pairs' applications can be matched as pairs on request. DIN, 1/2DIN and 1/3DIN length tolerance are possible, please ask us for a quotation. For high temperature, low temperature, food application or special environments different kind of special lubricants are available. Please ask our sales team for any special needs. For drive chain calculation and right dimension check, please contact our engineering department, also see drive chain calculation data sheet on page 301. By filling this data sheet and sending this to our engineering department you will receive a detailed drive chain calculation including life time expectation. Sprockets are available for all roller chains, with pilot bore, fixed bore, keyway, setscrew or bearing bore with grooves. Standard toothing, hardened toothing or special toothing are possible with pilot bore, fixed bore or taper bush. Chain tools, tensioners and chain lubricants please see page 302-310.

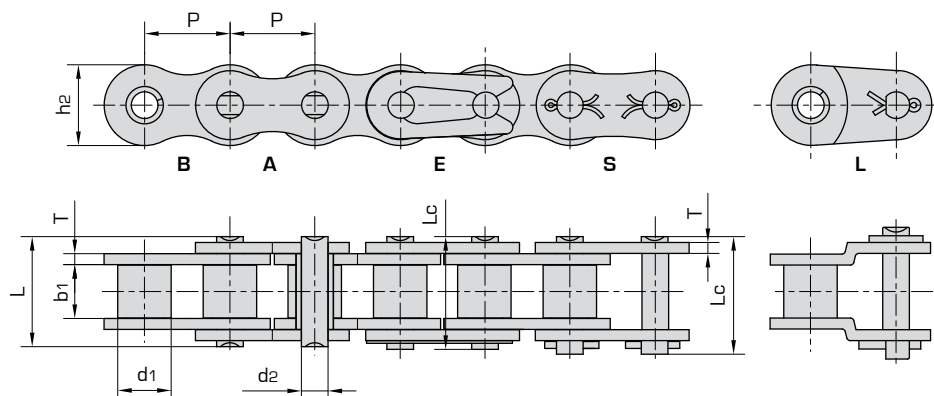
Short pitch precision roller chains (A series)

Stainless steel AISI304 (1.4301) SS Plus with hard chromized pins

Simplex roller chains & bush chains

Part nr.	DIN/ISO 606 Chain no.	ANSI Chain no.	Pitch	Roller diameter	Width between inner plates	Pin diameter	Pin length		Inner plate depth	Plate thickness
			P	d1 max	b1 min	d2 max	L max	Lc max	h2 max	T max
			mm	mm	mm	mm	mm	mm	mm	mm
12125-1SSPLUS	*04C-1SSPLUS	*25SSPLUS	6,350	3,30	3,18	2,31	7,90	8,40	6,00	0,80
12135-1SSPLUS	*06C-1SSPLUS	*35SSPLUS	9,525	5,08	4,77	3,58	12,40	13,17	9,00	1,30
12140-1SSPLUS	08A-1SSPLUS	40SSPLUS	12,700	7,95	7,85	3,96	16,60	17,80	12,00	1,50
12150-1SSPLUS	10A-1SSPLUS	50SSPLUS	15,875	10,16	9,40	5,08	20,70	22,20	15,09	2,03
12160-1SSPLUS	12A-1SSPLUS	60SSPLUS	19,050	11,91	12,57	5,94	25,90	27,70	18,00	2,42
12180-1SSPLUS	16A-1SSPLUS	80SSPLUS	25,400	15,88	15,75	7,92	32,70	35,00	24,00	3,25
121100-1SSPLUS	20A-1SSPLUS	100SSPLUS	31,750	19,05	18,90	9,53	40,40	44,70	30,00	4,00
121120-1SSPLUS	24A-1SSPLUS	120SSPLUS	38,100	22,23	25,22	11,10	50,30	54,30	35,70	4,80
121140-1SSPLUS	28A-1SSPLUS	140SSPLUS	44,450	25,40	25,22	12,70	54,40	59,00	41,00	5,60
121160-1SSPLUS	32A-1SSPLUS	160SSPLUS	50,800	28,58	31,55	14,27	64,80	69,60	47,80	6,40

* Bush chain: d1 in the table indicates the external diameter of the bush.



Ultimate tensile strength	Average tensile strength	Weight per meter	Available chain parts					
Q min	Q0	q	E	S	L	C	A	B
kN/lbf	kN	kg/m						
3,50/795		0,15	X				X	
7,90/1795		0,33	X		X		X	
14,10/3205		0,62	X		X		X	
22,20/5045		1,02	X		X		X	
31,80/7227		1,50	X		X		X	
56,70/12886		2,60	X		X		X	
88,50/20114		3,91		X	X		X	
127,00/28864		5,62		X	X		X	
172,40/39182		7,50		X	X		X	
226,80/51545		10,10		X	X		X	



Solution
range



Donghua SS PLUS Stainless Steel Roller Chain offer a +30% higher wear resistance than normal Stainless Steel Roller Chains. Thanks to the use of hard chromized pins, this wear resistance performance is realized. Donghua Stainless Steel Roller Chains meet the high requirements in the Food industry. For special food applications there are different food grade lubricants available. Please ask our engineering department. Donghua Stainless Steel Roller Chains cannot replace standard carbon steel roller chains in the same size. Breaking Load and Wear Resistance differ too much. Please ask our engineering department for the right dimensional choice per drive. All Donghua roller chains are: Pre-loaded, Fatigue resistant and Wear resistant. Pre-lubricated is possible on request. By default these stainless steel roller chains are not lubricated! Donghua simplex, duplex and triplex roller chains are manufactured according to ISO 606 DIN8187, standard pre-loaded, pre-lubrication on request, do have seamless rollers and are marked with production batch code number for complete traceability. All Donghua roller chains are sealed in plastic bags and packed in cardboard boxes with clear ISO 606 DIN descriptions and safety instructions. Standard packaging size is 5 meter box, reels are available on request. Cut to length service is available on request. Several test certificates like breaking load, length tolerance and material analyses are possible and available on request. Rollers chains which are needed for 'run as pairs' applications can be matched as pairs on request. DIN, 1/2DIN and 1/3DIN length tolerance are possible, please ask us for a quotation. For high temperature, low temperature, food application or special environments different kind of special lubricants are available. Please ask our sales team for any special needs. For drive chain calculation and right dimension check, please contact our engineering department, also see drive chain calculation data sheet on page 301. By filling this data sheet and sending this to our engineering department you will receive a detailed drive chain calculation including life time expectation. Sprockets are available for all roller chains, with pilot bore, fixed bore, keyway, setscrew or bearing bore with grooves. Standard toothing, hardened toothing or special toothing are possible with pilot bore, fixed bore or taper bush. Chain tools, tensioners and chain lubricants please see page 302-310.

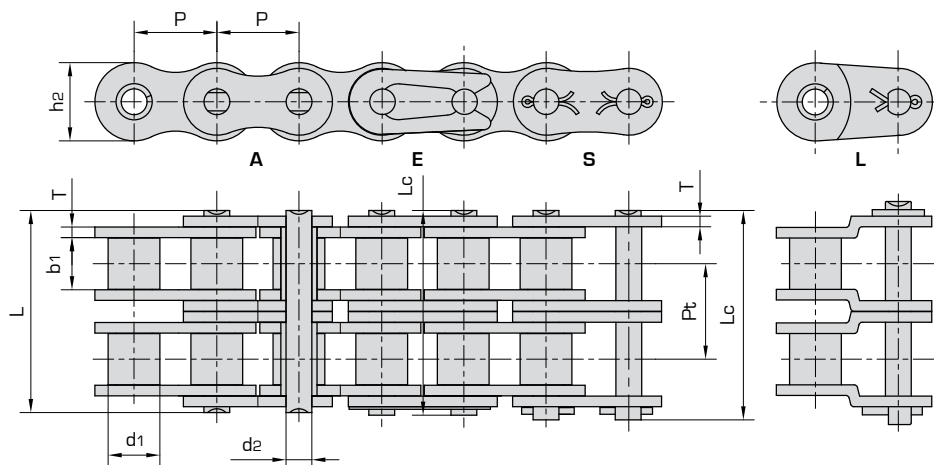
Short pitch precision roller chains (A series)

Stainless steel AISI304 (1.4301) SS Plus with hard chromized pins

Duplex roller chains & bush chains

Part nr.	DIN/ISO 606 Chain no.	ANSI Chain no.	Pitch	Roller diameter	Width between inner plates	Pin diameter		Pin length		Inner plate depth	Plate thickness	Transverse pitch
						d2 max	d1 max	L max	Lc max			
						mm	mm	mm	mm			
12125-2SSPLUS	*04C-2SSPLUS	*25-2SSPLUS	6,350	3,30	3,18	2,31	14,5	15,0	6,00	0,80	6,40	
12135-2SSPLUS	*06C-2SSPLUS	*35-2SSPLUS	9,525	5,08	4,77	3,58	22,5	23,3	9,00	1,30	10,13	
12140-2SSPLUS	08A-2SSPLUS	40-2SSPLUS	12,700	7,95	7,85	3,96	31,0	32,2	12,00	1,50	14,38	
12150-2SSPLUS	10A-2SSPLUS	50-2SSPLUS	15,875	10,16	9,40	5,08	38,9	40,4	15,09	2,03	18,11	
12160-2SSPLUS	12A-2SSPLUS	60-2SSPLUS	19,050	11,91	12,57	5,94	48,8	50,5	18,00	2,42	22,78	
12180-2SSPLUS	16A-2SSPLUS	80-2SSPLUS	25,400	15,88	15,75	7,92	62,7	64,3	24,00	3,25	29,29	
121100-2SSPLUS	20A-2SSPLUS	100-2SSPLUS	31,750	19,05	18,90	9,53	76,4	80,5	30,00	4,00	35,76	
121120-2SSPLUS	24A-2SSPLUS	120-2SSPLUS	38,100	22,23	25,22	11,10	95,8	99,7	35,70	4,80	45,44	
121140-2SSPLUS	28A-2SSPLUS	140-2SSPLUS	44,450	25,40	25,22	12,70	103,3	107,9	41,00	5,60	48,87	
121160-2SSPLUS	32A-2SSPLUS	160-2SSPLUS	50,800	28,58	31,55	14,27	123,3	128,1	47,80	6,40	58,55	

* Bush chain: d1 in the table indicates the external diameter of the bush.



Ultimate tensile strength	Average tensile strength	Weight per meter	Available chain parts				
Q_{min} Q_{min}	Q_0 Q_0	q q	E	S	L	C	A
kN/lbf	kN	kg/m					
7,00/1591		0,28	X				X
15,80/3591		0,63	X				X
28,20/6409		1,12	X		X		X
44,40/10091		2,00	X		X		X
63,60/14455		2,92	X		X		X
113,40/25773		5,15	X		X		X
177,00/40227		7,80		X	X		X
254,00/57727		11,70		X	X		X
344,80/78364		15,14		X	X		X
453,60/103091		20,14		X	X		X



Donghua SS PLUS Stainless Steel Roller Chain offer a +30% higher wear resistance than normal Stainless Steel Roller Chains. Thanks to the use of hard chromized pins, this wear resistance performance is realized. Donghua Stainless Steel Roller Chains meet the high requirements in the Food industry. For special food applications there are different food grade lubricants available. Please ask our engineering department. Donghua Stainless Steel Roller Chains cannot replace standard carbon steel roller chains in the same size. Breaking Load and Wear Resistance differ too much. Please ask our engineering department for the right dimensional choice per drive. All Donghua roller chains are: Pre-loaded, Fatigue resistant and Wear resistant. Pre-lubricated is possible on request. By default these stainless steel roller chains are not lubricated! Donghua simplex, duplex and triplex roller chains are manufactured according to ISO 606 DIN8187, standard pre-loaded, pre-lubrication on request, do have seamless rollers and are marked with production batch code number for complete traceability. All Donghua roller chains are sealed in plastic bags and packed in cardboard boxes with clear ISO 606 DIN descriptions and safety instructions. Standard packaging size is 5 meter box, reels are available on request. Cut to length service is available on request. Several test certificates like breaking load, length tolerance and material analyses are possible and available on request. Rollers chains which are needed for 'run as pairs' applications can be matched as pairs on request. DIN, 1/2DIN and 1/3DIN length tolerance are possible, please ask us for a quotation. For high temperature, low temperature, food application or special environments different kind of special lubricants are available. Please ask our sales team for any special needs. For drive chain calculation and right dimension check, please contact our engineering department, also see drive chain calculation data sheet on page 301. By filling this data sheet and sending this to our engineering department you will receive a detailed drive chain calculation including life time expectation. Sprockets are available for all roller chains, with pilot bore, fixed bore, keyway, setscrew or bearing bore with grooves. Standard toothing, hardened toothing or special toothing are possible with pilot bore, fixed bore or taper bush. Chain tools, tensioners and chain lubricants please see page 302-310.

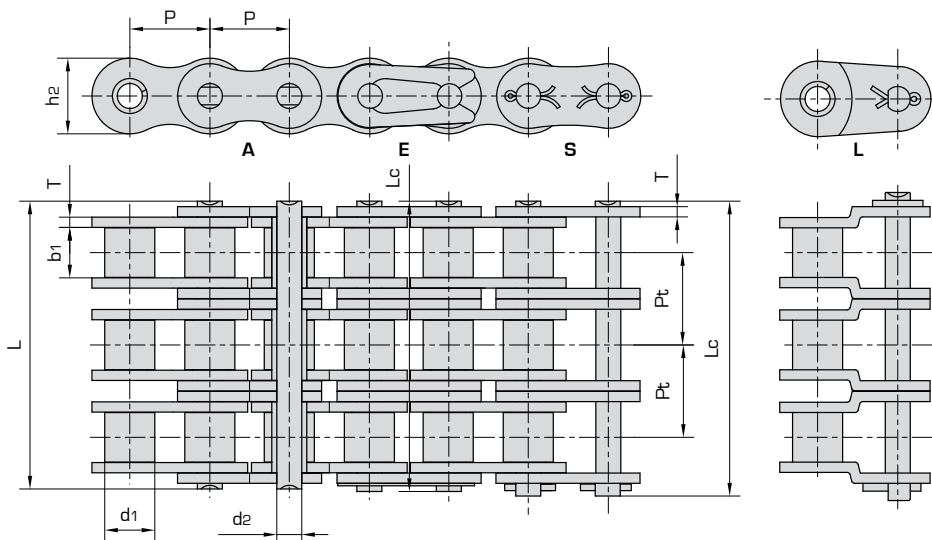
Short pitch precision roller chains (A series)

Stainless steel AISI304(1.4301) SS Plus with hard chromized pins

Triplex roller chains & bush chains

Part nr.	DIN/ISO 606 Chain no.	ANSI Chain no.	Pitch	Roller diameter	Width between inner plates	Pin diameter	Pin length		Inner plate depth	Plate thickness	Transverse pitch
							L max	Lc max			
							P	d1 max			
		mm		mm		mm		mm		mm	
12125-3SSPLUS	*04C-3SSPLUS	*25-3SSPLUS	6,350	3,30	3,18	2,31	21,0	21,5	6,00	0,80	6,40
12135-3SSPLUS	*06C-3SSPLUS	*35-3SSPLUS	9,525	5,08	4,77	3,58	32,7	33,5	9,00	1,30	10,13
12140-3SSPLUS	08A-3SSPLUS	40-3SSPLUS	12,700	7,95	7,85	3,96	45,4	46,6	12,00	1,50	14,38
12150-3SSPLUS	10A-3SSPLUS	50-3SSPLUS	15,875	10,16	9,40	5,08	57,0	58,5	15,09	2,03	18,11
12160-3SSPLUS	12A-3SSPLUS	60-3SSPLUS	19,050	11,91	12,57	5,94	71,5	73,3	18,00	2,42	22,78
12180-3SSPLUS	16A-3SSPLUS	80-3SSPLUS	25,400	15,88	15,75	7,92	91,7	93,6	24,00	3,25	29,29
121100-3SSPLUS	20A-3SSPLUS	100-3SSPLUS	31,750	19,05	18,90	9,53	112,2	116,3	30,00	4,00	35,76
121120-3SSPLUS	24A-3SSPLUS	120-3SSPLUS	38,100	22,23	25,22	11,10	141,4	145,2	35,70	4,80	45,44
121140-3SSPLUS	28A-3SSPLUS	140-3SSPLUS	44,450	25,40	25,22	12,70	152,2	156,8	41,00	5,60	48,87
121160-3SSPLUS	32A-3SSPLUS	160-3SSPLUS	50,800	28,58	31,55	14,27	181,8	186,6	47,80	6,40	58,55

* Bush chain: d1 in the table indicates the external diameter of the bush.



Ultimate tensile strength	Average tensile strength	Weight per meter	Available chain parts				
Q min	Q0	q	E	S	L	C	A
kN/lbf	kN	kg/m					
10,5/2386		0,44	X				X
23,7/5386		1,05	X				X
42,3/9614		1,90	X		X		X
66,6/15136		3,09	X		X		X
95,4/21682		4,54	X		X		X
170,1/38659		7,89	X		X		X
265,5/60341		11,77		X	X		X
381,0/86591		17,53		X	X		X
517,2/117545		22,20		X	X		X
680,4/154636		30,02		X	X		X



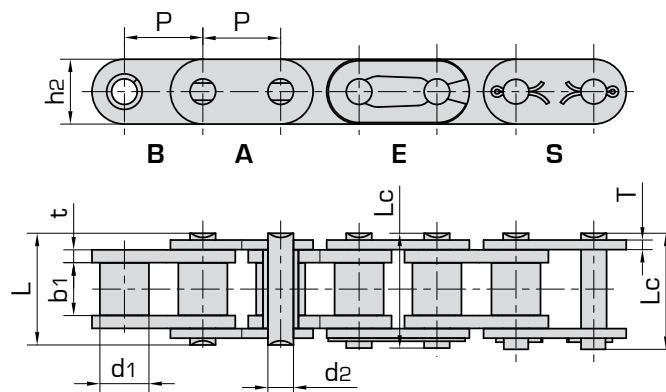
Donghua SS PLUS Stainless Steel Roller Chain offer a +30% higher wear resistance than normal Stainless Steel Roller Chains. Thanks to the use of hard chromized pins, this wear resistance performance is realized. Donghua Stainless Steel Roller Chains meet the high requirements in the Food industry. For special food applications there are different food grade lubricants available. Please ask our engineering department. Donghua Stainless Steel Roller Chains cannot replace standard carbon steel roller chains in the same size. Breaking Load and Wear Resistance differ too much. Please ask our engineering department for the right dimensional choice per drive. All Donghua roller chains are: Pre-loaded, Fatigue resistant and Wear resistant. Pre-lubricated is possible on request. By default these stainless steel roller chains are not lubricated! Donghua simplex, duplex and triplex roller chains are manufactured according to ISO 606 DIN8187, standard pre-loaded, pre-lubrication on request, do have seamless rollers and are marked with production batch code number for complete traceability. All Donghua roller chains are sealed in plastic bags and packed in cardboard boxes with clear ISO 606 DIN descriptions and safety instructions. Standard packaging size is 5 meter box, reels are available on request. Cut to length service is available on request. Several test certificates like breaking load, length tolerance and material analyses are possible and available on request. Rollers chains which are needed for 'run as pairs' applications can be matched as pairs on request. DIN, 1/2DIN and 1/3DIN length tolerance are possible, please ask us for a quotation. For high temperature, low temperature, food application or special environments different kind of special lubricants are available. Please ask our sales team for any special needs. For drive chain calculation and right dimension check, please contact our engineering department, also see drive chain calculation data sheet on page 301. By filling this data sheet and sending this to our engineering department you will receive a detailed drive chain calculation including life time expectation. Sprockets are available for all roller chains, with pilot bore, fixed bore, keyway, setscrew or bearing bore with grooves. Standard toothing, hardened toothing or special toothing are possible with pilot bore, fixed bore or taper bush. Chain tools, tensioners and chain lubricants please see page 302-310.

Short pitch precision roller chains (B series)

Stainless steel AISI304 (1.4301) with straight side plates

Simplex roller chains

Part nr.	DIN/ISO 606 Chain no.	Pitch	Roller diameter	Width between inner plates	Pin diameter	Pin length		Inner plate depth	Plate thickness
						L max	Lc max		
						P	d1 max		
		mm	mm	mm	mm	mm	mm	mm	mm
12006B-1SS	C06B-1SS	9,525	6,35	5,72	3,28	13,15	14,1	8,20	1,30
120C08B-1SS	C08B-1SS	12,700	8,51	7,75	4,45	16,70	18,2	11,80	1,60
120C10B-1SS	C10B-1SS	15,875	10,16	9,65	5,08	19,50	20,9	14,70	1,70
120C12B-1SS	C12B-1SS	19,050	12,07	11,68	5,72	22,50	24,2	16,00	1,85
120C16B-1SS	C16B-1SS	25,400	15,88	17,02	8,28	36,10	37,4	21,00	4,15/3,1
120C20B-1SS	C20B-1SS	31,750	19,05	19,56	10,19	41,30	45,0	26,40	4,50/3,5
120C24B-1SS	C24B-1SS	38,100	25,40	25,40	14,63	53,40	57,8	33,20	6,00/4,8
120C28B-1SS	C28B-1SS	44,450	27,94	30,99	15,90	65,10	69,5	36,70	7,50/6,0
120C32B-1SS	C32B-1SS	50,800	29,21	30,99	17,81	66,00	71,0	42,00	7,00/6,0



Ultimate tensile strength	Average tensile strength	Weight per meter	Available chain parts					
Q min	Q0	q	E	S	L	C	A	B
kN/lbf	kN	kg/m						
6,2/1409		0,41	X		X		X	
12,0/2727		0,69	X	X	X		X	
14,5/3295		0,93	X	X	X		X	
18,5/4205		1,15	X	X	X		X	
40,0/9091		2,71	X	X	X		X	
59,0/13409		3,70	X	X	X		X	
104,0/25454		7,10		X	X		X	
129,0/27219		8,50		X	X		X	
150,0/34090		10,25		X	X		X	

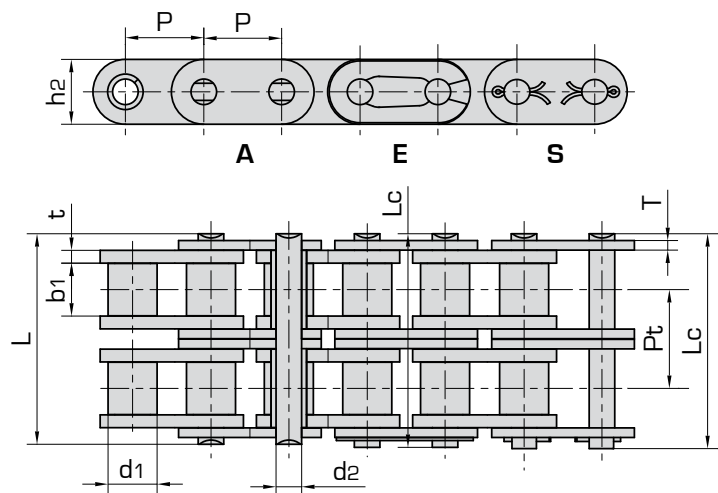


Donghua Straight Side Plate Roller Chains are built for conveying applications. The load capacity per Donghua Chain is exactly known; please ask our engineering department for any calculation examples. Donghua Straight Side Plate Roller Chains can be delivered in Stainless Steel 304 and 316, Zinc plated, Nickel plated, DR or ZinTek Coating and Self Lubricating versions. All Donghua roller chains are: Pre-loaded, Fatigue resistant and Wear resistant. Pre-lubricated is possible on request. By default these stainless steel roller chains are not lubricated! Donghua simplex, duplex and triplex roller chains are manufactured according to ISO 606 DIN8187, standard pre-loaded, pre-lubrication on request, do have seamless rollers and are marked with production batch code number for complete traceability. All Donghua roller chains are sealed in plastic bags and packed in cardboard boxes with clear ISO 606 DIN descriptions and safety instructions. Standard packaging size is 5 meter box, reels are available on request. Cut to length service is available on request. Several test certificates like breaking load, length tolerance and material analyses are possible and available on request. Rollers chains which are needed for 'run as pairs' applications can be matched as pairs on request. DIN, 1/2DIN and 1/3DIN length tolerance are possible, please ask us for a quotation. For high temperature, low temperature, food application or special environments different kind of special lubricants are available. Please ask our sales team for any special needs. For drive chain calculation and right dimension check, please contact our engineering department, also see drive chain calculation data sheet on page 301. By filling this data sheet and sending this to our engineering department you will receive a detailed drive chain calculation including life time expectation. Sprockets are available for all roller chains, with pilot bore, fixed bore, keyway, setscrew or bearing bore with grooves. Standard toothing, hardened toothing or special toothing are possible with pilot bore, fixed bore or taper bush. Chain tools, tensioners and chain lubricants please see page 302-310.

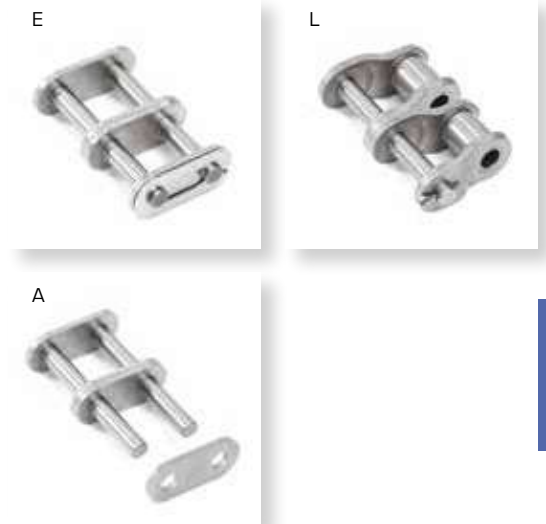
Short pitch precision roller chains (B series) Stainless steel AISI304 (1.4301) with straight side plates

Duplex roller chains

Part nr.	DIN/ISO 606 Chain no.	Pitch	Roller diameter	Width between inner plates	Pin diameter	Pin length		Inner plate depth	Plate thickness	Transverse pitch
						L max	Lc max			
		P	d1 max	b1 min	d2 max	L max	Lc max	h2 max	T max	
		mm	mm	mm	mm	mm	mm	mm	mm	
12006B-2SS	C06B-2SS	9,525	6,35	5,72	3,28	23,4	24,4	8,20	1,30	10,24
120C08B-2SS	C08B-2SS	12,700	8,51	7,75	4,45	31,0	32,2	11,80	1,60	13,92
120C10B-2SS	C10B-2SS	15,875	10,16	9,65	5,08	36,1	37,5	14,70	1,70	16,59
120C12B-2SS	C12B-2SS	19,050	12,07	11,68	5,72	42,0	43,6	16,00	1,85	19,46
120C16B-2SS	C16B-2SS	25,400	15,88	17,02	8,28	68,0	69,3	21,00	4,15/3,1	31,88
120C20B-2SS	C20B-2SS	31,750	19,05	19,56	10,19	77,8	81,5	26,40	4,50/3,5	36,45
120C24B-2SS	C24B-2SS	38,100	25,40	25,40	14,63	101,7	106,2	33,20	6,00/4,8	48,36
120C28B-2SS	C28B-2SS	44,450	27,94	30,99	15,90	124,6	129,1	36,70	7,50/6,0	59,56
120C32B-2SS	C32B-2SS	50,800	29,21	30,99	17,81	124,6	129,6	42,00	7,00/6,0	58,55



Ultimate tensile strength	Average tensile strength	Weight per meter	Available chain parts				
Q min	Q0	q	E	S	L	C	A
kN/lbf	kN	kg/m					
11,9/2675		0,77	X		X		X
20,40/4586		1,34	X	X	X		X
24,65/5541		1,84	X	X	X		X
31,45/7070		2,31	X	X	X		X
68,0/15287		5,42	X	X	X		X
100,0/22480		7,20		X	X		X
176,8/39746		13,40		X	X		X
219,3/49300		16,60		X	X		X
255,0/57326		21,00		X	X		X



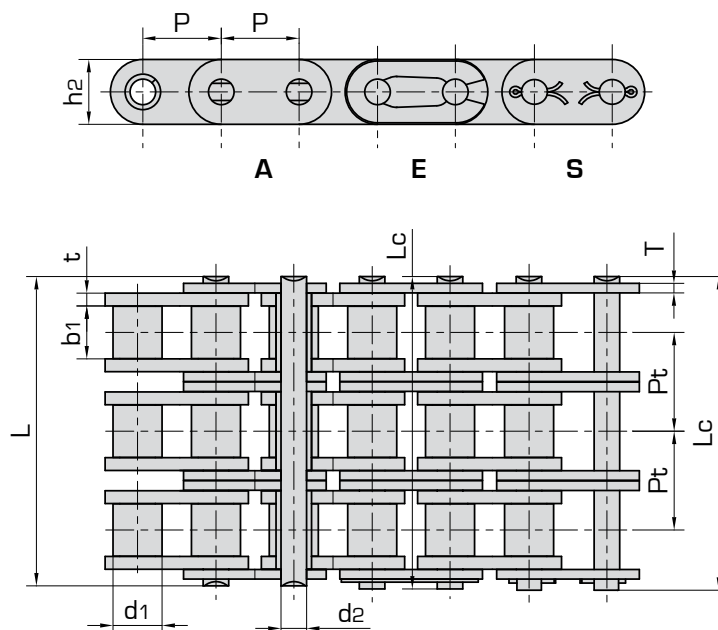
Donghua Straight Side Plate Roller Chains are built for conveying applications. The load capacity per Donghua Chain is exactly known; please ask our engineering department for any calculation examples. Donghua Straight Side Plate Roller Chains can be delivered in Stainless Steel 304 and 316, Zinc plated, Nickel plated, DR or ZinTek Coating and Self Lubricating versions. All Donghua roller chains are: Pre-loaded, Fatigue resistant and Wear resistant. Pre-lubricated is possible on request. By default these stainless steel roller chains are not lubricated! Donghua simplex, duplex and triplex roller chains are manufactured according to ISO 606 DIN8187, standard pre-loaded, pre-lubrication on request, do have seamless rollers and are marked with production batch code number for complete traceability. All Donghua roller chains are sealed in plastic bags and packed in cardboard boxes with clear ISO 606 DIN descriptions and safety instructions. Standard packaging size is 5 meter box, reels are available on request. Cut to length service is available on request. Several test certificates like breaking load, length tolerance and material analyses are possible and available on request. Rollers chains which are needed for 'run as pairs' applications can be matched as pairs on request. DIN, 1/2DIN and 1/3DIN length tolerance are possible, please ask us for a quotation. For high temperature, low temperature, food application or special environments different kind of special lubricants are available. Please ask our sales team for any special needs. For drive chain calculation and right dimension check, please contact our engineering department, also see drive chain calculation data sheet on page 301. By filling this data sheet and sending this to our engineering department you will receive a detailed drive chain calculation including life time expectation. Sprockets are available for all roller chains, with pilot bore, fixed bore, keyway, setscrew or bearing bore with grooves. Standard toothing, hardened toothing or special toothing are possible with pilot bore, fixed bore or taper bush. Chain tools, tensioners and chain lubricants please see page 302-310.

Short pitch precision roller chains (B series)

Stainless steel AISI304 (1.4301) with straight side plates

Triplex roller chains

Part nr.	DIN/ISO 606 Chain no.	Pitch	Roller diameter	Width between inner plates	Pin diameter	Pin length	Inner plate depth	Plate thickness	Transverse pitch
		P	d1 max	b1 min	d2 max	L max	Lc max	h2 max	T max
		mm	mm	mm	mm	mm	mm	mm	mm
12006B-3SS	C06B-3SS	9,525	6,35	5,72	3,28	33,5	34,6	8,20	1,30
120C08B-3SS	C08B-3SS	12,700	8,51	7,75	4,45	45,1	46,1	11,80	1,60
120C10B-3SS	C10B-3SS	15,875	10,16	9,65	5,08	52,7	54,1	14,70	1,70
120C12B-3SS	C12B-3SS	19,050	12,07	11,68	5,72	61,5	63,1	16,00	1,85
120C16B-3SS	C16B-3SS	25,400	15,88	17,02	8,28	99,8	101,2	21,00	4,15/3,1
120C20B-3SS	C20B-3SS	31,750	19,05	19,56	10,19	114,2	117,9	26,40	4,50/3,5
120C24B-3SS	C24B-3SS	38,100	25,40	25,40	14,63	150,1	154,6	33,20	6,00/4,8
120C28B-3SS	C28B-3SS	44,450	27,94	30,99	15,90	184,2	188,7	36,70	7,50/6,0
120C32B-3SS	C32B-3SS	50,800	29,21	30,99	17,81	183,2	188,2	42,00	7,00/6,0



Ultimate tensile strength	Average tensile strength	Weight per meter	Available chain parts				
Q min	Q0	q	E	S	L	C	A
kN/lbf	kN	kg/m					
18,9/4248		1,16	X		X		X
32,5/7306		2,03	X	X	X		X
39,0/8767		2,77	X	X	X		X
49,5/11128		3,46	X	X	X		X
108,0/24279		8,13	X	X	X		X
160,0/35969		10,82		X	X		X
282,0/63396		20,10		X	X		X
350,8/78862		24,92		X	X		X
408,0/91722		31,56		X	X		X



Donghua Straight Side Plate Roller Chains are built for conveying applications. The load capacity per Donghua Chain is exactly known; please ask our engineering department for any calculation examples. Donghua Straight Side Plate Roller Chains can be delivered in Stainless Steel 304 and 316, Zinc plated, Nickel plated, DR or ZinTek Coating and Self Lubricating versions. All Donghua roller chains are: Pre-loaded, Fatigue resistant and Wear resistant. Pre-lubricated is possible on request. By default these stainless steel roller chains are not lubricated! Donghua simplex, duplex and triplex roller chains are manufactured according to ISO 606 DIN8187, standard pre-loaded, pre-lubrication on request, do have seamless rollers and are marked with production batch code number for complete traceability. All Donghua roller chains are sealed in plastic bags and packed in cardboard boxes with clear ISO 606 DIN descriptions and safety instructions. Standard packaging size is 5 meter box, reels are available on request. Cut to length service is available on request. Several test certificates like breaking load, length tolerance and material analyses are possible and available on request. Roller chains which are needed for 'run as pairs' applications can be matched as pairs on request. DIN, 1/2DIN and 1/3DIN length tolerance are possible, please ask us for a quotation. For high temperature, low temperature, food application or special environments different kind of special lubricants are available. Please ask our sales team for any special needs. For drive chain calculation and right dimension check, please contact our engineering department, also see drive chain calculation data sheet on page 301. By filling this data sheet and sending this to our engineering department you will receive a detailed drive chain calculation including life time expectation. Sprockets are available for all roller chains, with pilot bore, fixed bore, keyway, setscrew or bearing bore with grooves. Standard toothing, hardened toothing or special toothing are possible with pilot bore, fixed bore or taper bush. Chain tools, tensioners and chain lubricants please see page 302-310.





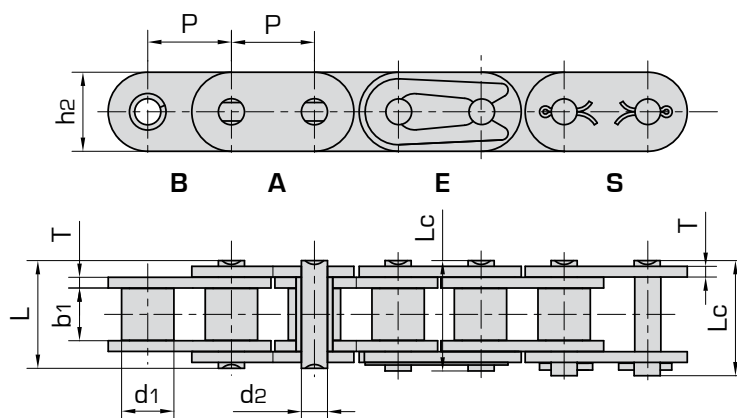
Short pitch precision roller chains (A series)

Stainless steel AISI304(1.4301) With straight side plates

Simplex roller chains & bush chains

Part nr.	DIN/ISO 606 Chain no.	ANSI Chain no.	Pitch	Roller diameter	Width between inner plates	Pin diameter	Pin length		Inner plate depth	Plate thickness
			P	d1 max	b1 min	d2 max	L max	Lc max	h2 max	T max
			mm	mm	mm	mm	mm	mm	mm	mm
120C35-1SS	*C06C-1SS	*C35SS	9,525	5,08	4,77	3,58	12,40	13,17	9,00	1,30
120C40-1SS	C08A-1SS	C40SS	12,700	7,95	7,85	3,96	16,60	17,80	12,00	1,50
120C50-1SS	C10A-1SS	C50SS	15,875	10,16	9,40	5,08	20,70	22,20	15,09	2,03
120C60-1SS	C12A-1SS	C60SS	19,050	11,91	12,57	5,94	25,90	27,70	18,00	2,42
120C80-1SS	C16A-1SS	C80SS	25,400	15,88	15,75	7,92	32,70	35,00	24,00	3,25
120C100-1SS	C20A-1SS	C100SS	31,750	19,05	18,90	9,53	40,40	44,70	30,00	4,00
120C120-1SS	C24A-1SS	C120SS	38,100	22,23	25,22	11,10	50,30	54,30	35,70	4,80
120C140-1SS	C28A-1SS	C140SS	44,450	25,40	25,22	12,70	54,40	59,00	41,00	5,60
120C160-1SS	C32A-1SS	C160SS	50,800	28,58	31,55	14,27	64,80	69,60	47,80	6,40

* Bush chain: d1 in the table indicates the external diameter of the bush.



Ultimate tensile strength	Average tensile strength	Weight per meter	Available chain parts					
Q min	Q0	q	E	S	L	C	A	B
kN/lbf	kN	kg/m						
7,90/1795		0,33	X		X		X	
14,10/3205		0,62	X		X		X	
22,20/5045		1,02	X		X		X	
31,80/7227		1,50	X		X		X	
56,70/12886		2,60	X		X		X	
88,50/20114		3,91		X	X		X	
127,00/28864		5,62		X	X		X	
172,40/39182		7,50		X	X		X	
226,80/51545		10,10		X	X		X	



Solution range



Donghua Straight Side Plate Roller Chains are built for conveying applications. The load capacity per Donghua Chain is exactly known; please ask our engineering department for any calculation examples. Donghua Straight Side Plate Roller Chains can be delivered in Stainless Steel 304 and 316, Zinc plated, Nickel plated, DR or ZinTek Coating and Self-Lubricating versions. All Donghua roller chains are: Pre-loaded, Fatigue resistant and Wear resistant. Pre-lubricated is possible on request. By default these stainless steel roller chains are not lubricated! Donghua simplex, duplex and triplex roller chains are manufactured according to ISO 606 DIN8188, standard pre-loaded, pre-lubrication on request, do have seamless rollers and are marked with production batch code number for complete traceability. All Donghua roller chains are sealed in plastic bags and packed in cardboard boxes with clear ISO 606 DIN descriptions and safety instructions. Standard packaging size is 5 meter box, reels are available on request. Cut to length service is available on request. Several test certificates like breaking load, length tolerance and material analyses are possible and available on request. Rollers chains which are needed for 'run as pairs' applications can be matched as pairs on request. DIN, 1/2DIN and 1/3DIN length tolerance are possible, please ask us for a quotation. For high temperature, low temperature, food application or special environments different kind of special lubricants are available. Please ask our sales team for any special needs. For drive chain calculation and right dimension check, please contact our engineering department, also see drive chain calculation data sheet on page 301. By filling this data sheet and sending this to our engineering department you will receive a detailed drive chain calculation including life time expectation. Sprockets are available for all roller chains, with pilot bore, fixed bore, keyway, setscrew or bearing bore with grooves. Standard toothing, hardened toothing or special toothing are possible with pilot bore, fixed bore or taper bush. Chain tools, tensioners and chain lubricants please see page 302-310.

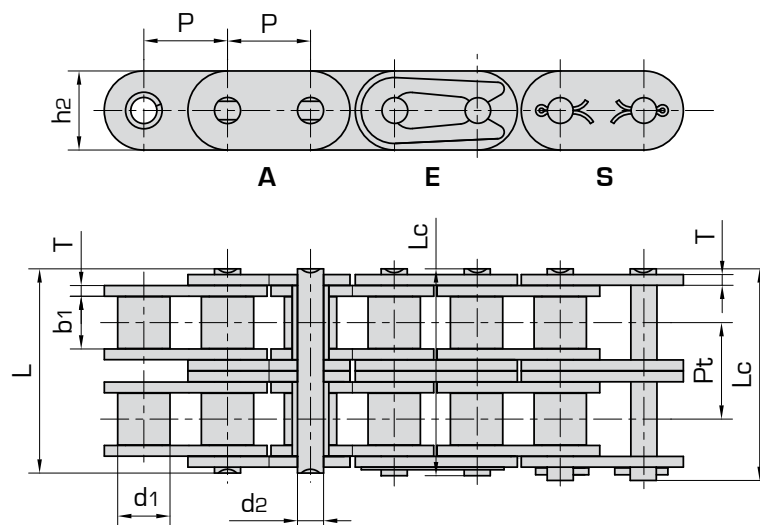
Short pitch precision roller chains (A series)

Stainless steel AISI304(1.4301) With straight side plates

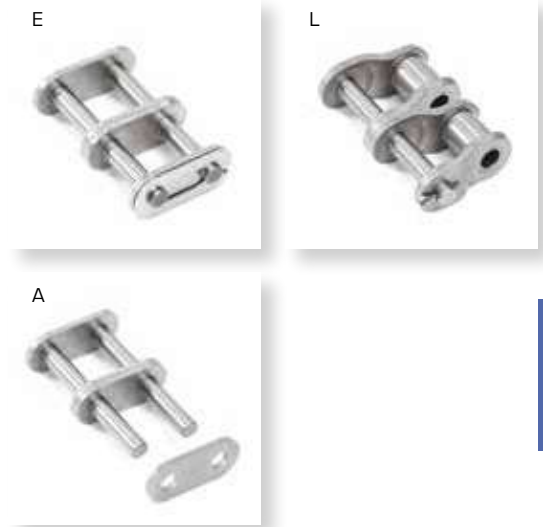
Duplex roller chains & bush chains

Part nr.	DIN/ISO 606 Chain no.	ANSI Chain no.	Pitch	Roller diameter	Width between inner plates	Pin diameter	Pin length		Inner plate depth	Plate thickness	Transverse pitch
			P	d1 max	b1 min	d2 max	L max	Lc max	h2 max	T max	
			mm	mm	mm	mm	mm	mm	mm	mm	
120C35-2SS	*C06C-2SS	*C35-2SS	9,525	5,08	4,77	3,58	22,5	23,3	9,00	1,30	10,13
120C40-2SS	C08A-2SS	C40-2SS	12,700	7,95	7,85	3,96	31,0	32,2	12,00	1,50	14,38
120C50-2SS	C10A-2SS	C50-2SS	15,875	10,16	9,40	5,08	38,9	40,4	15,09	2,03	18,11
120C60-2SS	C12A-2SS	C60-2SS	19,050	11,91	12,57	5,94	48,8	50,5	18,00	2,42	22,78
120C80-2SS	C16A-2SS	C80-2SS	25,400	15,88	15,75	7,92	62,7	64,3	24,00	3,25	29,29
120C100-2SS	C20A-2SS	C100-2SS	31,750	19,05	18,90	9,53	76,4	80,5	30,00	4,00	35,76
120C120-2SS	C24A-2SS	C120-2SS	38,100	22,23	25,22	11,10	95,8	99,7	35,70	4,80	45,44
120C140-2SS	C28A-2SS	C140-2SS	44,450	25,40	25,22	12,70	103,3	107,9	41,00	5,60	48,87
120C160-2SS	C32A-2SS	C160-2SS	50,800	28,58	31,55	14,27	123,3	128,1	47,80	6,40	58,55

* Bush chain: d1 in the table indicates the external diameter of the bush.



Ultimate tensile strength	Average tensile strength	Weight per meter	Available chain parts				
Q min	Q0	q	E	S	L	C	A
kN/lbf	kN	kg/m					
15,80/3591		0,63	X				X
28,20/6409		1,12	X		X		X
44,40/10091		2,00	X		X		X
63,60/14455		2,92	X		X		X
113,40/25773		5,15	X		X		X
177,00/40227		7,80		X	X		X
254,00/57727		11,70		X	X		X
344,80/78364		15,14		X	X		X
453,60/103091		20,14		X	X		X



Donghua Straight Side Plate Roller Chains are built for conveying applications. The load capacity per Donghua Chain is exactly known; please ask our engineering department for any calculation examples. Donghua Straight Side Plate Roller Chains can be delivered in Stainless Steel 304 and 316, Zinc plated, Nickel plated, DR or ZinTek Coating and Self-Lubricating versions. All Donghua roller chains are: Pre-loaded, Fatigue resistant and Wear resistant. Pre-lubricated is possible on request. By default these stainless steel roller chains are not lubricated! Donghua simplex, duplex and triplex roller chains are manufactured according to ISO 606 DIN8188, standard pre-loaded, pre-lubrication on request, do have seamless rollers and are marked with production batch code number for complete traceability. All Donghua roller chains are sealed in plastic bags and packed in cardboard boxes with clear ISO 606 DIN descriptions and safety instructions. Standard packaging size is 5 meter box, reels are available on request. Cut to length service is available on request. Several test certificates like breaking load, length tolerance and material analyses are possible and available on request. Rollers chains which are needed for 'run as pairs' applications can be matched as pairs on request. DIN, 1/2DIN and 1/3DIN length tolerance are possible, please ask us for a quotation. For high temperature, low temperature, food application or special environments different kind of special lubricants are available. Please ask our sales team for any special needs. For drive chain calculation and right dimension check, please contact our engineering department, also see drive chain calculation data sheet on page 301. By filling this data sheet and sending this to our engineering department you will receive a detailed drive chain calculation including life time expectation. Sprockets are available for all roller chains, with pilot bore, fixed bore, keyway, setscrew or bearing bore with grooves. Standard toothing, hardened toothing or special toothing are possible with pilot bore, fixed bore or taper bush. Chain tools, tensioners and chain lubricants please see page 302-310.

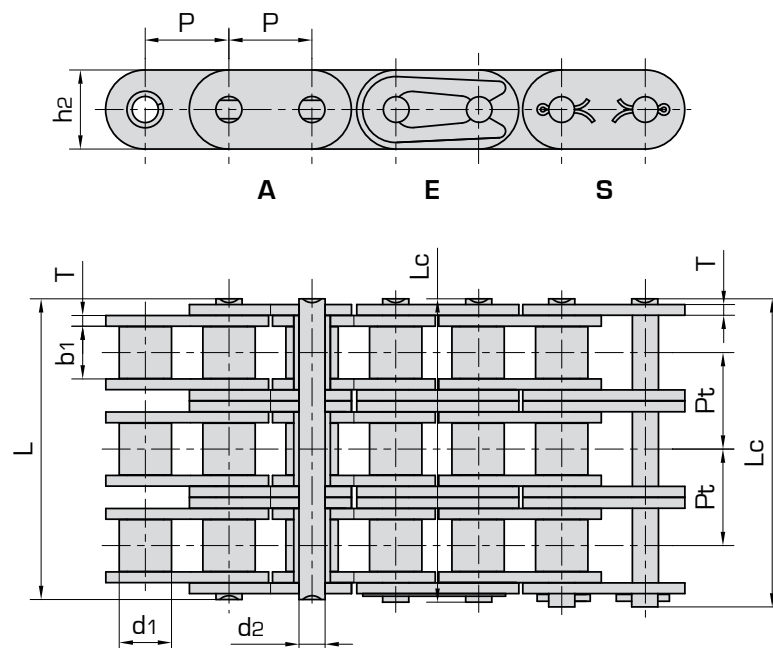
Short pitch precision roller chains (A series)

Stainless steel AISI304(1.4301) With straight side plates

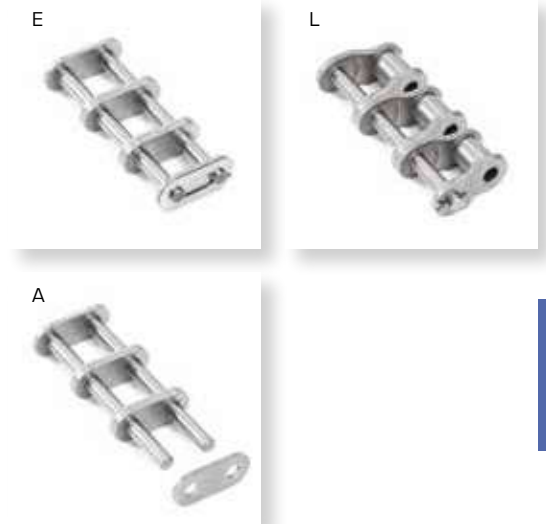
Triplex roller chains & bush chains

Part nr.	DIN/ISO 606 Chain no.	ANSI Chain no.	Pitch	Roller diameter	Width between inner plates	Pin diameter	Pin length		Inner plate depth	Plate thickness	Transverse pitch
							L max	Lc max			
			P	d1 max	b1 min	d2 max	L max	Lc max	h2 max	T max	
			mm	mm	mm	mm	mm	mm	mm	mm	mm
120C35-3SS	*C06C-3SS	*C35-3SS	9,525	5,08	4,77	3,58	32,7	33,5	9,00	1,30	10,13
120C40-3SS	C08A-3SS	C40-3SS	12,700	7,95	7,85	3,96	45,4	46,6	12,00	1,50	14,38
120C50-3SS	C10A-3SS	C50-3SS	15,875	10,16	9,40	5,08	57,0	58,5	15,09	2,03	18,11
120C60-3SS	C12A-3SS	C60-3SS	19,050	11,91	12,57	5,94	71,5	73,3	18,00	2,42	22,78
120C80-3SS	C16A-3SS	C80-3SS	25,400	15,88	15,75	7,92	91,7	93,6	24,00	3,25	29,29
120C100-3SS	C20A-3SS	C100-3SS	31,750	19,05	18,90	9,53	112,2	116,3	30,00	4,00	35,76
120C120-3SS	C24A-3SS	C120-3SS	38,100	22,23	25,22	11,10	141,4	145,2	35,70	4,80	45,44
120C140-3SS	C28A-3SS	C140-3SS	44,450	25,40	25,22	12,70	152,2	156,8	41,00	5,60	48,87
120C160-3SS	C32A-3SS	C160-3SS	50,800	28,58	31,55	14,27	181,8	186,6	47,80	6,40	58,55

* Bush chain: d1 in the table indicates the external diameter of the bush.



Ultimate tensile strength	Average tensile strength	Weight per meter	Available chain parts				
Q min	Q0	q	E	S	L	C	A
kN/lbf	kN	kg/m					
23,7/5386		1,05	X				X
42,3/9614		1,90	X		X		X
66,6/15136		3,09	X		X		X
95,4/21682		4,54	X		X		X
170,1/38659		7,89	X		X		X
265,5/60341		11,77		X	X		X
381,0/86591		17,53		X	X		X
517,2/117545		22,20		X	X		X
680,4/154636		30,02		X	X		X



Donghua Straight Side Plate Roller Chains are built for conveying applications. The load capacity per Donghua Chain is exactly known; please ask our engineering department for any calculation examples. Donghua Straight Side Plate Roller Chains can be delivered in Stainless Steel 304 and 316, Zinc plated, Nickel plated, DR or ZinTek Coating and Self-Lubricating versions. All Donghua roller chains are: Pre-loaded, Fatigue resistant and Wear resistant. Pre-lubricated is possible on request. By default these stainless steel roller chains are not lubricated! Donghua simplex, duplex and triplex roller chains are manufactured according to ISO 606 DIN8188, standard pre-loaded, pre-lubrication on request, do have seamless rollers and are marked with production batch code number for complete traceability. All Donghua roller chains are sealed in plastic bags and packed in cardboard boxes with clear ISO 606 DIN descriptions and safety instructions. Standard packaging size is 5 meter box, reels are available on request. Cut to length service is available on request. Several test certificates like breaking load, length tolerance and material analyses are possible and available on request. Rollers chains which are needed for 'run as pairs' applications can be matched as pairs on request. DIN, 1/2DIN and 1/3DIN length tolerance are possible, please ask us for a quotation. For high temperature, low temperature, food application or special environments different kind of special lubricants are available. Please ask our sales team for any special needs. For drive chain calculation and right dimension check, please contact our engineering department, also see drive chain calculation data sheet on page 301. By filling this data sheet and sending this to our engineering department you will receive a detailed drive chain calculation including life time expectation. Sprockets are available for all roller chains, with pilot bore, fixed bore, keyway, setscrew or bearing bore with grooves. Standard toothing, hardened toothing or special toothing are possible with pilot bore, fixed bore or taper bush. Chain tools, tensioners and chain lubricants please see page 302-310.

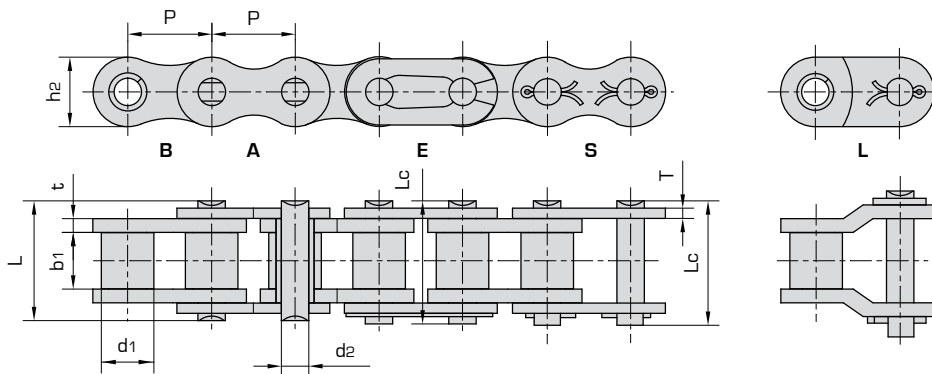
Short pitch precision roller chains (B series)

Stainless steel AISI304 (1.4301) SLR (Self Lubricating Roller Chain) Dry-Tec

Simplex roller chains

Part nr.	DIN/ISO 606 Chain no.	Pitch	Roller diameter	Width between inner plates	Pin diameter	Pin length	Inner plate depth	Plate thickness	
		P	d1 max	b1 min	d2 max	L max	Lc max	h2 max	T max
		mm	mm	mm	mm	mm	mm	mm	mm
12108B-1SS-SLR	08B-1SS-SLR	12,700	8,51	7,75	4,45	16,70	18,2	11,80	1,60
12110B-1SS-SLR	10B-1SS-SLR	15,875	10,16	9,65	5,08	19,50	20,9	14,70	1,70
12112B-1SS-SLR	12B-1SS-SLR	19,050	12,07	11,68	5,72	22,50	24,2	16,00	1,85
12116B-1SS-SLR	16B-1SS-SLR	25,400	15,88	17,02	8,28	36,10	37,4	21,00	4,15/3,1
12120B-1SS-SLR	20B-1SS-SLR	31,750	19,05	19,56	10,19	41,30	45,0	26,40	4,50/3,5
12124B-1SS-SLR	24B-1SS-SLR	38,100	25,40	25,40	14,63	53,40	57,8	33,20	6,00/4,8

Engineered polymer slide bearings takes care for the self lubricating effect. Depending on the environmental circumstances wearlife improvements compared to standard SS of +50% is possible!



Ultimate tensile strength	Average tensile strength	Weight per meter	Available chain parts					
Q min	Q0	q	E	S	L	C	A	B
kN/lbf	kN	kg/m						
12,0/2727		0,70	X	X	X		X	X
14,5/3295		0,94	X	X	X		X	X
18,5/4205		1,16	X	X	X		X	X
40,0/9091		2,73	X	X	X		X	X
59,0/13409		3,73	X	X	X		X	X
104,0/25454		7,20		X	X		X	X

E



L



A

Solution
range

These Donghua Stainless Roller Chains have an engineered plastic slide bearing between pin and bush for a self-lubricating effect. Depending on the environmental circumstances, wear life improvements compared to standard SS of +50% is possible! All Donghua roller chains are: Pre-loaded, Fatigue resistant and Wear resistant. This SS-SLR roller chain is self-lubricating. Donghua simplex, duplex and triplex roller chains are manufactured according to ISO 606 DIN8188, standard pre-loaded, pre-lubrication on request, do have seamless rollers and are marked with production batch code number for complete traceability. All Donghua roller chains are sealed in plastic bags and packed in cardboard boxes with clear ISO 606 DIN descriptions and safety instructions. Standard packaging size is 5 meter box, reels are available on request. Cut to length service is available on request. Several test certificates like breaking load, length tolerance and material analyses are possible and available on request. Rollers chains which are needed for 'run as pairs' applications can be matched as pairs on request. DIN, 1/2DIN and 1/3DIN length tolerance are possible, please ask us for a quotation. For high temperature, low temperature, food application or special environments different kind of special lubricants are available. Please ask our sales team for any special needs. For drive chain calculation and right dimension check, please contact our engineering department, also see drive chain calculation data sheet on page 301. By filling this data sheet and sending this to our engineering department you will receive a detailed drive chain calculation including life time expectation. Sprockets are available for all roller chains, with pilot bore, fixed bore, keyway, setscrew or bearing bore with grooves. Standard toothing, hardened toothing or special toothing are possible with pilot bore, fixed bore or taper bush. Chain tools, tensioners and chain lubricants please see page 302-310.

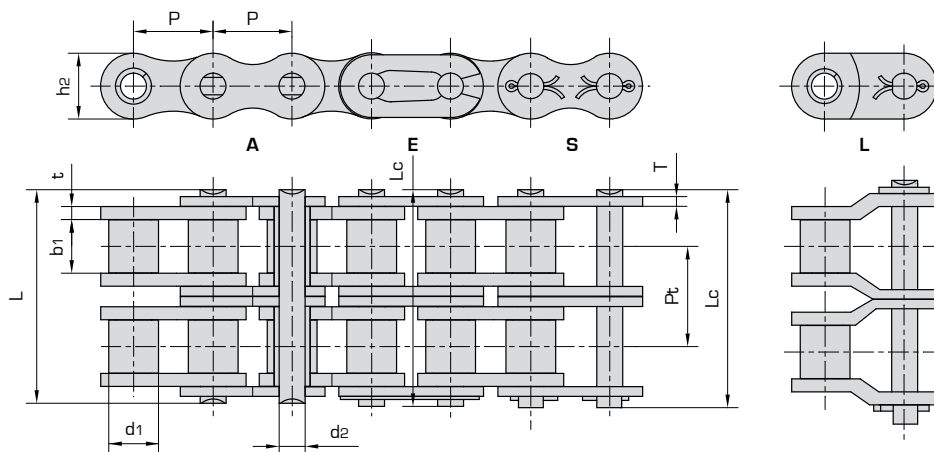
Short pitch precision roller chains (B series)

Stainless steel AISI304 (1.4301) SLR (Self Lubricating Roller Chain) Dry-Tec

Duplex roller chains

Part nr.	DIN/ISO 606 Chain no.	Pitch	Roller diameter	Width between inner plates	Pin diameter	Pin length	Inner plate depth	Plate thickness	Transverse pitch	
		P	d1 max	b1 min	d2 max	L max	Lc max	h2 max	T max	
		mm	mm	mm	mm	mm	mm	mm	mm	
12108B-2SS-SLR	08B-2SS-SLR	12,700	8,51	7,75	4,45	31,0	32,2	11,80	1,60	13,92
12110B-2SS-SLR	10B-2SS-SLR	15,875	10,16	9,65	5,08	36,1	37,5	14,70	1,70	16,59
12112B-2SS-SLR	12B-2SS-SLR	19,050	12,07	11,68	5,72	42,0	43,6	16,00	1,85	19,46
12116B-2SS-SLR	16B-2SS-SLR	25,400	15,88	17,02	8,28	68,0	69,3	21,00	4,15/3,1	31,88
12120B-2SS-SLR	20B-2SS-SLR	31,750	19,05	19,56	10,19	77,8	81,5	26,40	4,50/3,5	36,45
12124B-2SS-SLR	24B-2SS-SLR	38,100	25,40	25,40	14,63	101,7	106,2	33,20	6,00/4,8	48,36

Engineered polymer slide bearings takes care for the self lubricating effect. Depending on the environmental circumstances wearlife improvements compared to standard SS of +50% is possible!



Ultimate tensile strength	Average tensile strength	Weight per meter	Available chain parts				
Q min	Q0	q	E	S	L	C	A
kN/lbf	kN	kg/m					
20,40/4586		1,34	X	X	X		X
24,65/5541		1,84	X	X	X		X
31,45/7070		2,31	X	X	X		X
68,0/15287		5,42	X	X	X		X
100,0/22480		7,20		X	X		X
176,8/39746		13,40		X	X		X



Solution range



These Donghua Stainless Roller Chains have an engineered plastic slide bearing between pin and bush for a self-lubricating effect. Depending on the environmental circumstances, wear life improvements compared to standard SS of +50% is possible! All Donghua roller chains are: Pre-loaded, Fatigue resistant and Wear resistant. This SS-SLR roller chain is self-lubricating. Donghua simplex, duplex and triplex roller chains are manufactured according to ISO 606 DIN8188, standard pre-loaded, pre-lubrication on request, do have seamless rollers and are marked with production batch code number for complete traceability. All Donghua roller chains are sealed in plastic bags and packed in cardboard boxes with clear ISO 606 DIN descriptions and safety instructions. Standard packaging size is 5 meter box, reels are available on request. Cut to length service is available on request. Several test certificates like breaking load, length tolerance and material analyses are possible and available on request. Roller chains which are needed for 'run as pairs' applications can be matched as pairs on request. DIN, 1/2DIN and 1/3DIN length tolerance are possible, please ask us for a quotation. For high temperature, low temperature, food application or special environments different kind of special lubricants are available. Please ask our sales team for any special needs. For drive chain calculation and right dimension check, please contact our engineering department, also see drive chain calculation data sheet on page 301. By filling this data sheet and sending this to our engineering department you will receive a detailed drive chain calculation including life time expectation. Sprockets are available for all roller chains, with pilot bore, fixed bore, keyway, setscrew or bearing bore with grooves. Standard toothing, hardened toothing or special toothing are possible with pilot bore, fixed bore or taper bush. Chain tools, tensioners and chain lubricants please see page 302-310.

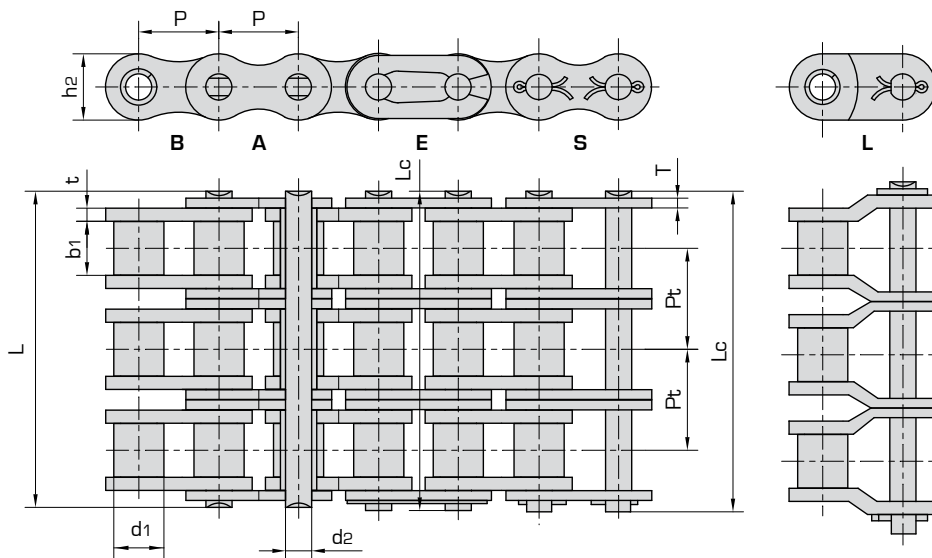
Short pitch precision roller chains (B series)

Stainless steel AISI304 (1.4301) SLR (Self Lubricating Roller Chain)

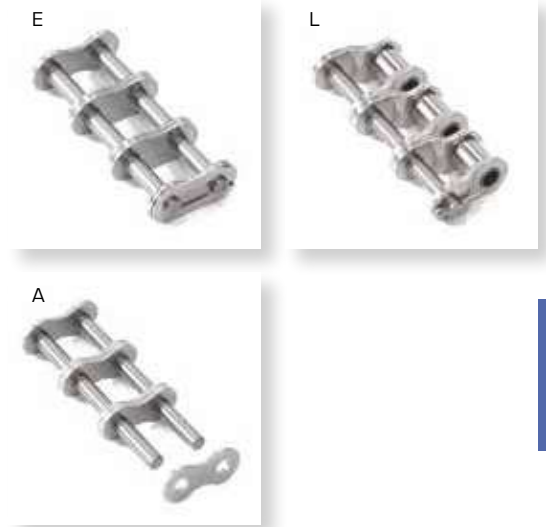
Triplex roller chains

Part nr.	DIN/ISO 606 Chain no.	Pitch	Roller diameter	Width between inner plates	Pin diameter	Pin length	Inner plate depth	Plate thickness	Transverse pitch	
		P	d1 max	b1 min	d2 max	L max	Lc max	h2 max	T max	
		mm	mm	mm	mm	mm	mm	mm	mm	
12108B-3SS-SLR	08B-3SS-SLR	12,700	8,51	7,75	4,45	45,1	46,1	11,80	1,60	13,92
12110B-3SS-SLR	10B-3SS-SLR	15,875	10,16	9,65	5,08	52,7	54,1	14,70	1,70	16,59
12112B-3SS-SLR	12B-3SS-SLR	19,050	12,07	11,68	5,72	61,5	63,1	16,00	1,85	19,46
12116B-3SS-SLR	16B-3SS-SLR	25,400	15,88	17,02	8,28	99,8	101,2	21,00	4,15/3,1	31,88
12120B-3SS-SLR	20B-3SS-SLR	31,750	19,05	19,56	10,19	114,2	117,9	26,40	4,50/3,5	36,45
12124B-3SS-SLR	24B-3SS-SLR	38,100	25,40	25,40	14,63	150,1	154,6	33,20	6,00/4,8	48,36

Engineered polymer slide bearings takes care for the self lubricating effect. Depending on the environmental circumstances wearlife improvements compared to standard SS of +50% is possible!



Ultimate tensile strength	Average tensile strength	Weight per meter	Available chain parts				
Q min	Q0	q	E	S	L	C	A
kN/lbf	kN	kg/m					
32,5/7306		2,03	X	X	X		X
39,0/8767		2,77	X	X	X		X
49,5/11128		3,46	X	X	X		X
108,0/24279		8,13	X	X	X		X
160,0/35969		10,82		X	X		X
282,0/63396		20,10		X	X		X



These Donghua Stainless Roller Chains have an engineered plastic slide bearing between pin and bush for a self-lubricating effect. Depending on the environmental circumstances, wear life improvements compared to standard SS of +50% is possible! All Donghua roller chains are: Pre-loaded, Fatigue resistant and Wear resistant. This SS-SLR roller chain is self-lubricating. Donghua simplex, duplex and triplex roller chains are manufactured according to ISO 606 DIN8188, standard pre-loaded, pre-lubrication on request, do have seamless rollers and are marked with production batch code number for complete traceability. All Donghua roller chains are sealed in plastic bags and packed in cardboard boxes with clear ISO 606 DIN descriptions and safety instructions. Standard packaging size is 5 meter box, reels are available on request. Cut to length service is available on request. Several test certificates like breaking load, length tolerance and material analyses are possible and available on request. Rollers chains which are needed for 'run as pairs' applications can be matched as pairs on request. DIN, 1/2DIN and 1/3DIN length tolerance are possible, please ask us for a quotation. For high temperature, low temperature, food application or special environments different kind of special lubricants are available. Please ask our sales team for any special needs. For drive chain calculation and right dimension check, please contact our engineering department, also see drive chain calculation data sheet on page 301. By filling this data sheet and sending this to our engineering department you will receive a detailed drive chain calculation including life time expectation. Sprockets are available for all roller chains, with pilot bore, fixed bore, keyway, setscrew or bearing bore with grooves. Standard toothing, hardened toothing or special toothing are possible with pilot bore, fixed bore or taper bush. Chain tools, tensioners and chain lubricants please see page 302-310.

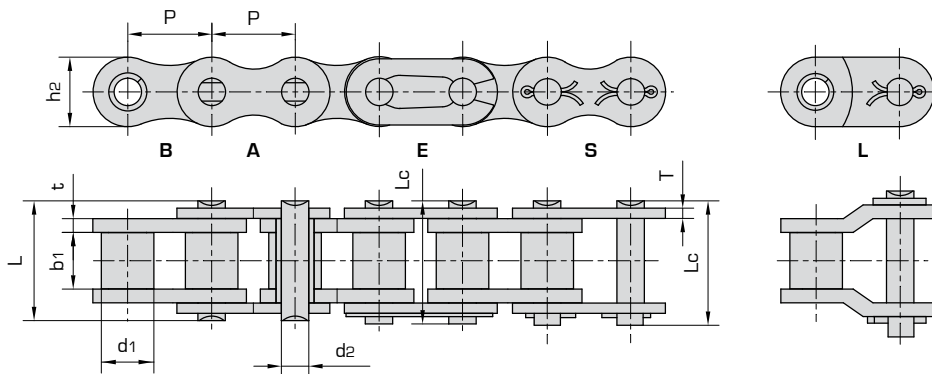
Short pitch precision roller chains (A series)

Stainless steel AISI304(1.4301) SLR (Self Lubricating Roller Chain) Dry-Tec

Simplex roller chains & bush chains

Part nr.	DIN/ISO 606 Chain no.	ANSI Chain no.	Pitch	Roller diameter	Width between inner plates	Pin diameter	Pin length		Inner plate depth	Plate thickness
			P	d1 max	b1 min	d2 max	L max	Lc max	h2 max	T max
			mm	mm	mm	mm	mm	mm	mm	mm
12140-1SS-SLR	08A-1SS-SLR	40SS-SLR	12,700	7,95	7,85	3,96	16,60	17,80	12,00	1,50
12150-1SS-SLR	10A-1SS-SLR	50SS-SLR	15,875	10,16	9,40	5,08	20,70	22,20	15,09	2,03
12160-1SS-SLR	12A-1SS-SLR	60SS-SLR	19,050	11,91	12,57	5,94	25,90	27,70	18,00	2,42
12180-1SS-SLR	16A-1SS-SLR	80SS-SLR	25,400	15,88	15,75	7,92	32,70	35,00	24,00	3,25
121100-1SS-SLR	20A-1SS-SLR	100SS-SLR	31,750	19,05	18,90	9,53	40,40	44,70	30,00	4,00
121120-1SS-SLR	24A-1SS-SLR	120SS-SLR	38,100	22,23	25,22	11,10	50,30	54,30	35,70	4,80

* Bush chain: d1 in the table indicates the external diameter of the bush.



Ultimate tensile strength	Average tensile strength	Weight per meter	Available chain parts					
Q min	Q0	q	E	S	L	C	A	B
kN/lbf	kN	kg/m						
14,10/3205		0,62	X		X		X	
22,20/5045		1,02	X		X		X	
31,80/7227		1,50	X		X		X	
56,70/12886		2,60	X		X		X	
88,50/20114		3,91		X	X		X	
127,00/28864		5,62		X	X		X	



Solution range



These Donghua Stainless Roller Chains have an engineered plastic slide bearing between pin and bush for a self-lubricating effect. Depending on the environmental circumstances, wear life improvements compared to standard SS of +50% is possible! All Donghua roller chains are: Pre-loaded, Fatigue resistant and Wear resistant. This SS-SLR roller chain is self-lubricating. Donghua simplex, duplex and triplex roller chains are manufactured according to ISO 606 DIN8188, standard pre-loaded, pre-lubrication on request, do have seamless rollers and are marked with production batch code number for complete traceability. All Donghua roller chains are sealed in plastic bags and packed in cardboard boxes with clear ISO 606 DIN descriptions and safety instructions. Standard packaging size is 5 meter box, reels are available on request. Cut to length service is available on request. Several test certificates like breaking load, length tolerance and material analyses are possible and available on request. Rollers chains which are needed for 'run as pairs' applications can be matched as pairs on request. DIN, 1/2DIN and 1/3DIN length tolerance are possible, please ask us for a quotation. For high temperature, low temperature, food application or special environments different kind of special lubricants are available. Please ask our sales team for any special needs. For drive chain calculation and right dimension check, please contact our engineering department, also see drive chain calculation data sheet on page 301. By filling this data sheet and sending this to our engineering department you will receive a detailed drive chain calculation including life time expectation. Sprockets are available for all roller chains, with pilot bore, fixed bore, keyway, setscrew or bearing bore with grooves. Standard toothing, hardened toothing or special toothing are possible with pilot bore, fixed bore or taper bush. Chain tools, tensioners and chain lubricants please see page 302-310.

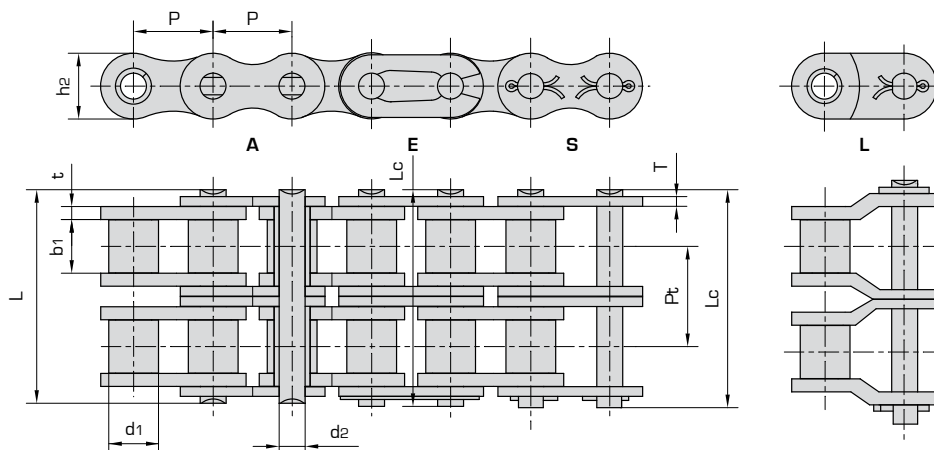
Short pitch precision roller chains (A series)

Stainless steel AISI304(1.4301) SLR (Self Lubricating Roller Chain) Dry-Tec

Duplex roller chains & bush chains

Part nr.	DIN/ISO 606 Chain no.	ANSI Chain no.	Pitch	Roller diameter	Width between inner plates	Pin diameter	Pin length		Inner plate depth	Plate thickness	Transverse pitch
			P	d1 max	b1 min	d2 max	L max	Lc max	h2 max	T max	
			mm	mm	mm	mm	mm	mm	mm	mm	mm
12140-2SS-SLR	08A-2SS-SLR	40-2SS-SLR	12,700	7,95	7,85	3,96	31,0	32,2	12,00	1,50	14,38
12150-2SS-SLR	10A-2SS-SLR	50-2SS-SLR	15,875	10,16	9,40	5,08	38,9	40,4	15,09	2,03	18,11
12160-2SS-SLR	12A-2SS-SLR	60-2SS-SLR	19,050	11,91	12,57	5,94	48,8	50,5	18,00	2,42	22,78
12180-2SS-SLR	16A-2SS-SLR	80-2SS-SLR	25,400	15,88	15,75	7,92	62,7	64,3	24,00	3,25	29,29
121100-2SS-SLR	20A-2SS-SLR	100-2SS-SLR	31,750	19,05	18,90	9,53	76,4	80,5	30,00	4,00	35,76
121120-2SS-SLR	24A-2SS-SLR	120-2SS-SLR	38,100	22,23	25,22	11,10	95,8	99,7	35,70	4,80	45,44

* Bush chain: d1 in the table indicates the external diameter of the bush.



Ultimate tensile strength	Average tensile strength	Weight per meter	Available chain parts				
Q min	Q0	q	E	S	L	C	A
kN/lbf	kN	kg/m					
28,20/6409		1,12	X		X		X
44,40/10091		2,00	X		X		X
63,60/14455		2,92	X		X		X
113,40/25773		5,15	X		X		X
177,00/40227		7,80		X	X		X
254,00/57727		11,70		X	X		X



Solution
range



These Donghua Stainless Roller Chains have an engineered plastic slide bearing between pin and bush for a self-lubricating effect. Depending on the environmental circumstances, wear life improvements compared to standard SS of +50% is possible! All Donghua roller chains are: Pre-loaded, Fatigue resistant and Wear resistant. This SS-SLR roller chain is self-lubricating. Donghua simplex, duplex and triplex roller chains are manufactured according to ISO 606 DIN8188, standard pre-loaded, pre-lubrication on request, do have seamless rollers and are marked with production batch code number for complete traceability. All Donghua roller chains are sealed in plastic bags and packed in cardboard boxes with clear ISO 606 DIN descriptions and safety instructions. Standard packaging size is 5 meter box, reels are available on request. Cut to length service is available on request. Several test certificates like breaking load, length tolerance and material analyses are possible and available on request. Rollers chains which are needed for 'run as pairs' applications can be matched as pairs on request. DIN, 1/2DIN and 1/3DIN length tolerance are possible, please ask us for a quotation. For high temperature, low temperature, food application or special environments different kind of special lubricants are available. Please ask our sales team for any special needs. For drive chain calculation and right dimension check, please contact our engineering department, also see drive chain calculation data sheet on page 301. By filling this data sheet and sending this to our engineering department you will receive a detailed drive chain calculation including life time expectation. Sprockets are available for all roller chains, with pilot bore, fixed bore, keyway, setscrew or bearing bore with grooves. Standard toothing, hardened toothing or special toothing are possible with pilot bore, fixed bore or taper bush. Chain tools, tensioners and chain lubricants please see page 302-310.

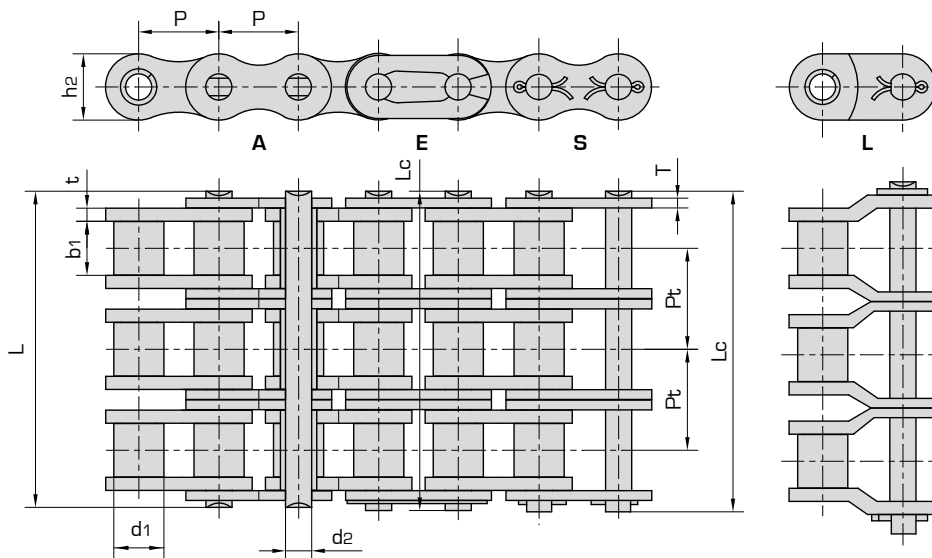
Short pitch precision roller chains (A series)

Stainless steel AISI304(1.4301) SLR (Self Lubricating Roller Chain) Dry-Tec

Triplex roller chains & bush chains

Part nr.	DIN/ISO 606 Chain no.	ANSI Chain no.	Pitch	Roller diameter	Width between inner plates	Pin diameter	Pin length		Inner plate depth	Plate thickness	Transverse pitch
			P	d1 max	b1 min	d2 max	L max	Lc max	h2 max	T max	
			mm	mm	mm	mm	mm	mm	mm	mm	
12140-3SS-SLR	08A-3SS-SLR	40-3SS-SLR	12,700	7,95	7,85	3,96	45,4	46,6	12,00	1,50	14,38
12150-3SS-SLR	10A-3SS-SLR	50-3SS-SLR	15,875	10,16	9,40	5,08	57,0	58,5	15,09	2,03	18,11
12160-3SS-SLR	12A-3SS-SLR	60-3SS-SLR	19,050	11,91	12,57	5,94	71,5	73,3	18,00	2,42	22,78
12180-3SS-SLR	16A-3SS-SLR	80-3SS-SLR	25,400	15,88	15,75	7,92	91,7	93,6	24,00	3,25	29,29
121100-3SS-SLR	20A-3SS-SLR	100-3SS-SLR	31,750	19,05	18,90	9,53	112,2	116,3	30,00	4,00	35,76
121120-3SS-SLR	24A-3SS-SLR	120-3SS-SLR	38,100	22,23	25,22	11,10	141,4	145,2	35,70	4,80	45,44

* Bush chain: d1 in the table indicates the external diameter of the bush.



Ultimate tensile strength	Average tensile strength	Weight per meter	Available chain parts				
Q min	Q0	q	E	S	L	C	A
kN/lbf	kN	kg/m					
42,3/9614		1,90	X		X		X
66,6/15136		3,09	X		X		X
95,4/21682		4,54	X		X		X
170,1/38659		7,89	X		X		X
265,5/60341		11,77		X	X		X
381,0/86591		17,53		X	X		X



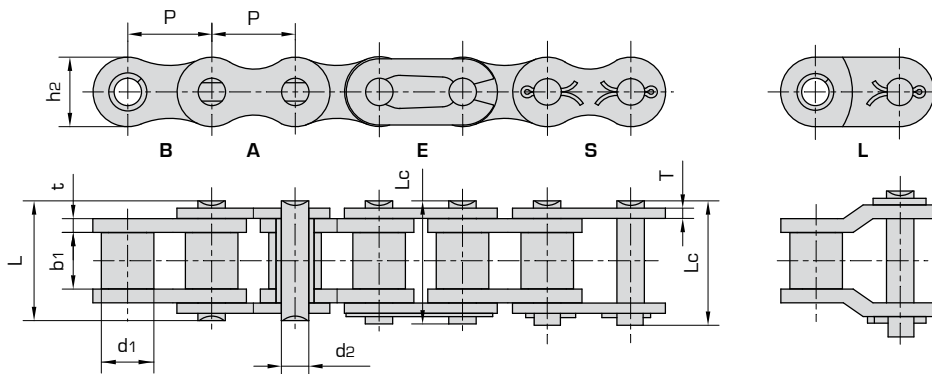
These Donghua Stainless Roller Chains have an engineered plastic slide bearing between pin and bush for a self-lubricating effect. Depending on the environmental circumstances, wear life improvements compared to standard SS of +50% is possible! All Donghua roller chains are: Pre-loaded, Fatigue resistant and Wear resistant. This SS-SLR roller chain is self-lubricating. Donghua simplex, duplex and triplex roller chains are manufactured according to ISO 606 DIN8188, standard pre-loaded, pre-lubrication on request, do have seamless rollers and are marked with production batch code number for complete traceability. All Donghua roller chains are sealed in plastic bags and packed in cardboard boxes with clear ISO 606 DIN descriptions and safety instructions. Standard packaging size is 5 meter box, reels are available on request. Cut to length service is available on request. Several test certificates like breaking load, length tolerance and material analyses are possible and available on request. Rollers chains which are needed for 'run as pairs' applications can be matched as pairs on request. DIN, 1/2DIN and 1/3DIN length tolerance are possible, please ask us for a quotation. For high temperature, low temperature, food application or special environments different kind of special lubricants are available. Please ask our sales team for any special needs. For drive chain calculation and right dimension check, please contact our engineering department, also see drive chain calculation data sheet on page 301. By filling this data sheet and sending this to our engineering department you will receive a detailed drive chain calculation including life time expectation. Sprockets are available for all roller chains, with pilot bore, fixed bore, keyway, setscrew or bearing bore with grooves. Standard toothing, hardened toothing or special toothing are possible with pilot bore, fixed bore or taper bush. Chain tools, tensioners and chain lubricants please see page 302-310.

Short pitch precision roller chains (B series)

Stainless steel AISI316 (1.4401)

Simplex roller chains

Part nr.	DIN/ISO 606 Chain no.	Pitch	Roller diameter	Width between inner plates	Pin diameter	Pin length		Inner plate depth	Plate thickness
		P	d1 max	b1 min	d2 max	L max	Lc max	h2 max	T max
		mm	mm	mm	mm	mm	mm	mm	mm
12008B-1SS316	08B-1SS316	12,700	8,51	7,75	4,45	16,70	18,2	11,80	1,60
12010B-1SS316	10B-1SS316	15,875	10,16	9,65	5,08	19,50	20,9	14,70	1,70
12012B-1SS316	12B-1SS316	19,050	12,07	11,68	5,72	22,50	24,2	16,00	1,85
12016B-1SS316	16B-1SS316	25,400	15,88	17,02	8,28	36,10	37,4	21,00	4,15/3,1
12020B-1SS316	20B-1SS316	31,750	19,05	19,56	10,19	41,30	45,0	26,40	4,50/3,5
12024B-1SS316	24B-1SS316	38,100	25,40	25,40	14,63	53,40	57,8	33,20	6,00/4,8



Ultimate tensile strength	Average tensile strength	Weight per meter	Available chain parts					
Q min	Q0	q	E	S	L	C	A	B
kN/lbf	kN	kg/m						
12,0/2727		0,70	X	X	X		X	X
14,5/3295		0,94	X	X	X		X	X
18,5/4205		1,16	X	X	X		X	X
40,0/9091		2,73	X	X	X		X	X
59,0/13409		3,73	X	X	X		X	X
104,0/25454		7,20		X	X		X	X



Solution
range



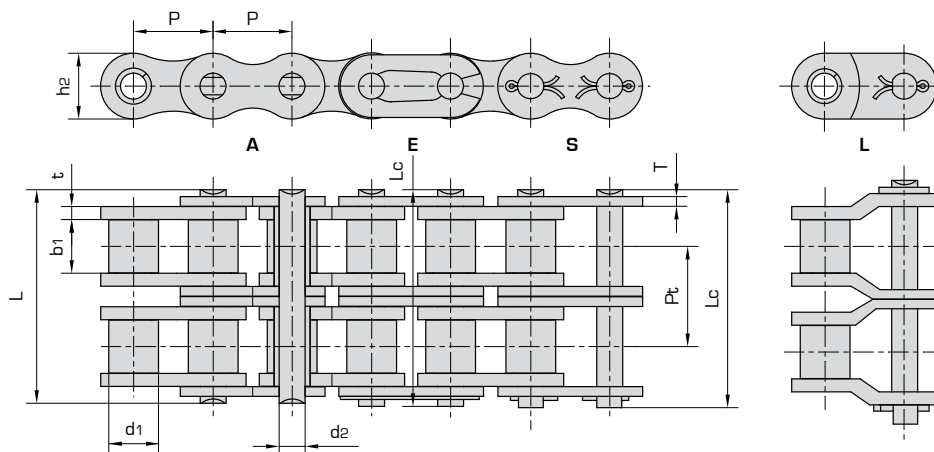
Donghua Stainless Steel Roller Chains meet the high requirements in the food industry. For special food applications, there are different food grade lubricants available. Please ask our engineering department. Donghua Stainless Steel Roller Chains cannot replace standard carbon steel roller chains in the same size. Breaking Load and Wear Resistance differ too much. Please ask our engineering department for the right dimensional choice per drive. All Donghua roller chains are: Pre-loaded, Fatigue resistant and Wear resistant. Pre-lubricated is possible on request. By default these stainless steel roller chains are not lubricated! Donghua simplex, duplex and triplex roller chains are manufactured according to ISO 606 DIN8187, standard pre-loaded, pre-lubrication on request, do have seamless rollers and are marked with production batch code number for complete traceability. All Donghua roller chains are sealed in plastic bags and packed in cardboard boxes with clear ISO 606 DIN descriptions and safety instructions. Standard packaging size is 5 meter box, reels are available on request. Cut to length service is available on request. Several test certificates like breaking load, length tolerance and material analyses are possible and available on request. Rollers chains which are needed for 'run as pairs' applications can be matched as pairs on request. DIN, 1/2DIN and 1/3DIN length tolerance are possible, please ask us for a quotation. For high temperature, low temperature, food application or special environments different kind of special lubricants are available. Please ask our sales team for any special needs. For drive chain calculation and right dimension check, please contact our engineering department, also see drive chain calculation data sheet on page 301. By filling this data sheet and sending this to our engineering department you will receive a detailed drive chain calculation including life time expectation. Sprockets are available for all roller chains, with pilot bore, fixed bore, keyway, setscrew or bearing bore with grooves. Standard toothing, hardened toothing or special toothing are possible with pilot bore, fixed bore or taper bush. Chain tools, tensioners and chain lubricants please see page 302-310.

Short pitch precision roller chains (B series)

Stainless steel AISI316 (1.4401)

Duplex roller chains

Part nr.	DIN/ISO 606 Chain no.	Pitch	Roller diameter	Width between inner plates	Pin diameter	Pin length		Inner plate depth	Plate thickness	Transverse pitch
						L max	Lc max			
		P	d1 max	b1 min	d2 max	L max	Lc max	h2 max	T max	
		mm	mm	mm	mm	mm	mm	mm	mm	mm
12008B-2SS316	08B-2SS316	12,700	8,51	7,75	4,45	31,0	32,2	11,80	1,60	13,92
12010B-2SS316	10B-2SS316	15,875	10,16	9,65	5,08	36,1	37,5	14,70	1,70	16,59
12012B-2SS316	12B-2SS316	19,050	12,07	11,68	5,72	42,0	43,6	16,00	1,85	19,46
12016B-2SS316	16B-2SS316	25,400	15,88	17,02	8,28	68,0	69,3	21,00	4,15/3,1	31,88
12020B-2SS316	20B-2SS316	31,750	19,05	19,56	10,19	77,8	81,5	26,40	4,50/3,5	36,45
12024B-2SS316	24B-2SS316	38,100	25,40	25,40	14,63	101,7	106,2	33,20	6,00/4,8	48,36



Ultimate tensile strength	Average tensile strength	Weight per meter	Available chain parts				
Q min	Q0	q	E	S	L	C	A
kN/lbf	kN	kg/m					
20,40/4586		1,34	X	X	X		X
24,65/5541		1,84	X	X	X		X
31,45/7070		2,31	X	X	X		X
68,0/15287		5,42	X	X	X		X
100,0/22480		7,20		X	X		X
176,8/39746		13,40		X	X		X

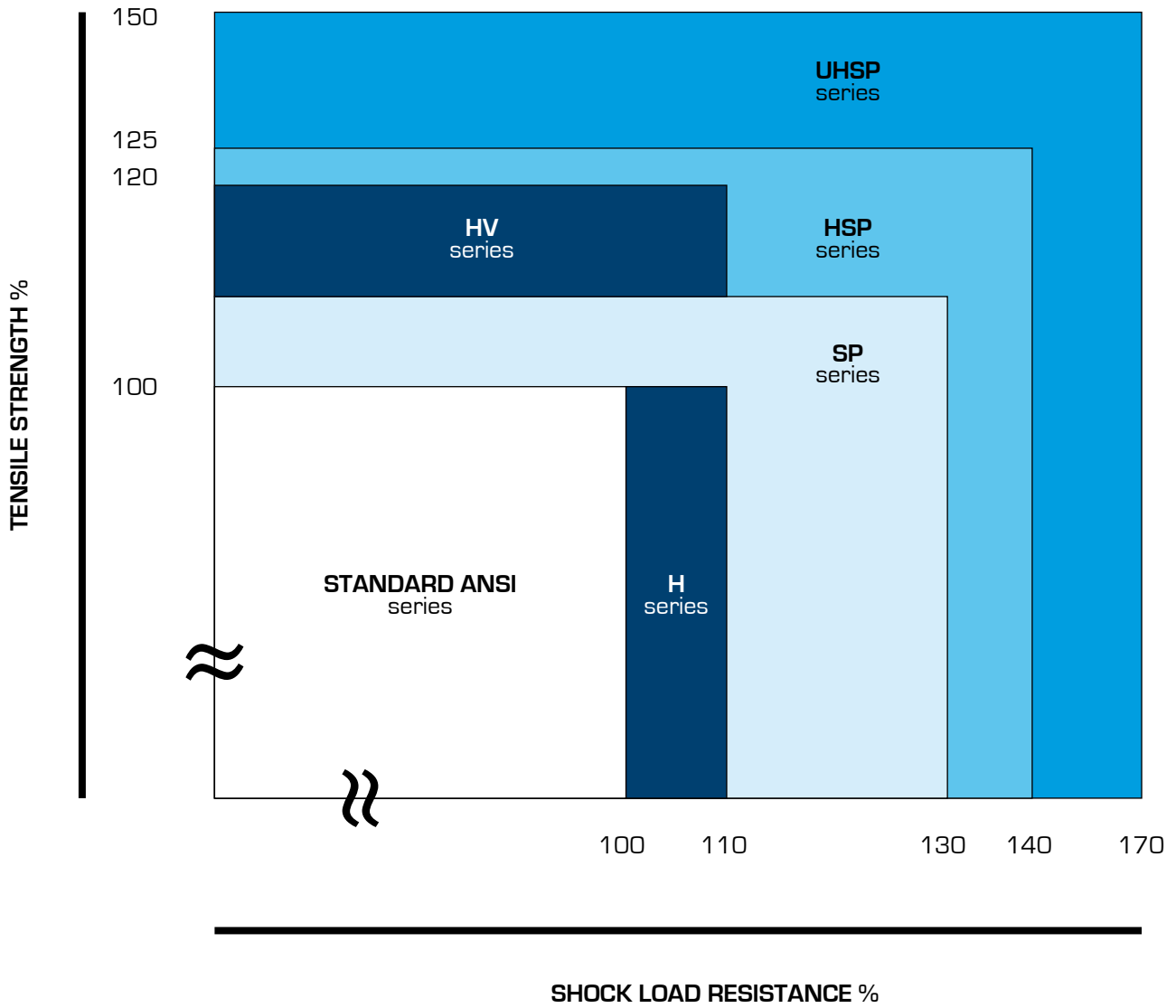


Donghua Stainless Steel Roller Chains meet the high requirements in the food industry. For special food applications, there are different food grade lubricants available. Please ask our engineering department. Donghua Stainless Steel Roller Chains cannot replace standard carbon steel roller chains in the same size. Breaking Load and Wear Resistance differ too much. Please ask our engineering department for the right dimensional choice per drive. All Donghua roller chains are: Pre-loaded, Fatigue resistant and Wear resistant. Pre-lubricated is possible on request. By default these stainless steel roller chains are not lubricated! Donghua simplex, duplex and triplex roller chains are manufactured according to ISO 606 DIN8187, standard pre-loaded, pre-lubrication on request, do have seamless rollers and are marked with production batch code number for complete traceability. All Donghua roller chains are sealed in plastic bags and packed in cardboard boxes with clear ISO 606 DIN descriptions and safety instructions. Standard packaging size is 5 meter box, reels are available on request. Cut to length service is available on request. Several test certificates like breaking load, length tolerance and material analyses are possible and available on request. Rollers chains which are needed for 'run as pairs' applications can be matched as pairs on request. DIN, 1/2DIN and 1/3DIN length tolerance are possible, please ask us for a quotation. For high temperature, low temperature, food application or special environments different kind of special lubricants are available. Please ask our sales team for any special needs. For drive chain calculation and right dimension check, please contact our engineering department, also see drive chain calculation data sheet on page 301. By filling this data sheet and sending this to our engineering department you will receive a detailed drive chain calculation including life time expectation. Sprockets are available for all roller chains, with pilot bore, fixed bore, keyway, setscrew or bearing bore with grooves. Standard toothing, hardened toothing or special toothing are possible with pilot bore, fixed bore or taper bush. Chain tools, tensioners and chain lubricants please see page 302-310.



DONGHUA
80HSP

ANSI Heavy duty Program



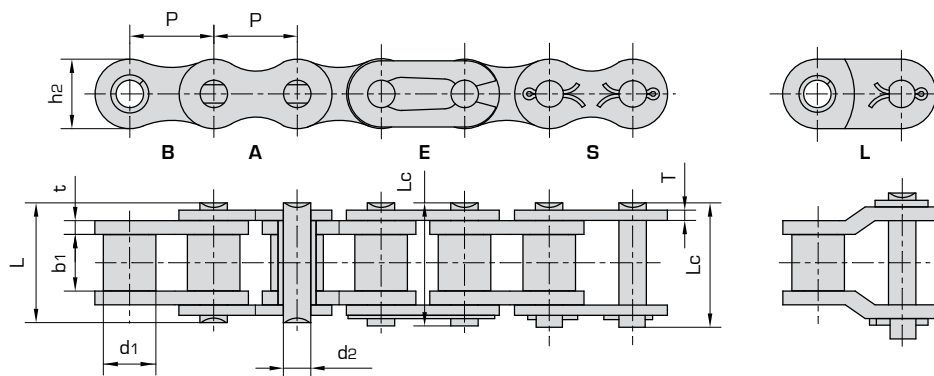
Solution
range

Heavy duty series roller chains

Non-standard Heavy duty series roller chains

Part nr.	DIN/ISO 606 Chain no.	Pitch	Roller diameter	Width between inner plates	Pin diameter	Pin length		Inner plate depth	Plate thickness
		P	d1 max	b1 min	d2 max	L max	Lc max	h2 max	T max
		mm	mm	mm	mm	mm	mm	mm	mm
10004B-1H	04BH	6,000	4,00	2,80	1,85	8,4	9,4	5,0	0,90
10006B-1H	*06BH	9,525	6,35	5,72	3,58	14,4	15,4	8,2	1,60
10040-1H	08AHF1	12,700	7,95	10,00	3,96	21,0	22,2	12,0	2,03
10008B-1H	08BH	12,700	8,51	7,85	4,45	18,8	19,9	11,8	2,03
10010B-1H	10BH	15,875	10,16	9,65	5,08	20,2	21,6	14,7	1,85
10012B-1H	12BH	19,050	12,07	11,68	5,94	25,2	26,8	16,0	2,42
10012B-1HF1	12BHF1	19,050	12,07	11,68	6,10	25,0	27,2	16,5	2,50
10012B-1HF2	12BHF2	19,050	12,07	13,30	6,10	28,8	30,3	16,5	2,80
10012B-1HF3	12BHF3	19,050	12,07	13,50	5,72	28,8	30,3	16,5	2,80
10012B-1V	12BV	19,050	12,07	11,68	6,10	24,5	26,5	16,0	2,42
100060-1HV	60HV	19,050	11,91	12,57	5,94	29,2	31,0	18,0	3,25
10016B-1H	16BH	25,400	15,88	17,02	8,90	35,7	38,9	24,1	4,00/3,1
10016B-1HF3	16BHF3	25,400	15,88	12,70	8,90	31,6	35,0	24,1	4,00/3,1
10024B-1H	24BH	38,100	25,40	25,40	14,63	58,6	63,4	36,2	7,50/6,0
10024B-1HF2	24BHF2	38,100	25,40	25,40	14,63	57,8	62,2	37,0	7,20/6,0
10024B-1HF5	24BHF5	38,100	25,40	25,40	14,63	64,6	69,1	36,2	9,00/7,5

* Straight side plates



Ultimate tensile strength	Average tensile strength	Weight per meter	Available chain parts					
Q min	Q0	q	E	S	L	C	A	B
kN/lbf	kN	kg/m						
5,00/1136	5,5	0,14			X		X	
11,25/2557	12,4	0,51			X		X	
13,80/3136	15,2	0,88		X			X	
20,60/4682	22,7	0,79		X			X	
25,00/5681	27,5	1,03		X			X	
40,00/9091	44	1,45		X			X	
44,00/10000	48,4	1,46		X			X	
35,00/7954	38,5	1,72		X			X	
35,00/7954	38,5	1,71		X			X	
36,00/8182	39,6	1,43		X			X	
40,00/9090	44,0	2,00		X			X	
80,00/18182	88,0	3,11		X			X	
80,00/18182	88,0	2,90	X	X			X	
225,00/51136	247,5	9,00	X	X			X	
225,40/51226	247,5	9,06	X	X			X	
270,00/61344	297	10,60	X	X			X	



Solution
range



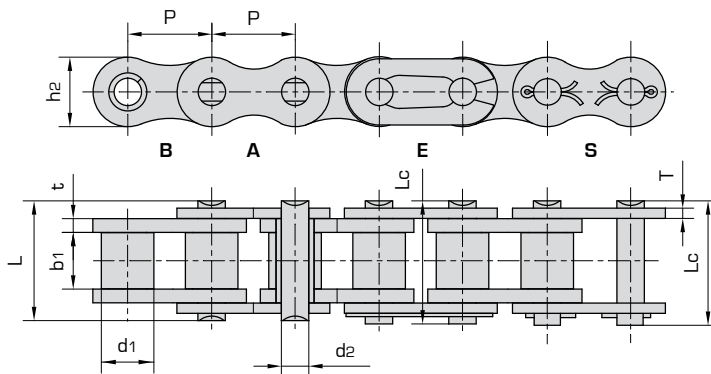
Donghua's Heavy Duty Series are designed for tough and demanding applications and environments. The increased plate thickness offers a higher fatigue resistance. In combination with straight side plates it offers good wear resistant properties for conveyor applications. Donghua simplex, duplex and triplex roller chains are manufactured according to ISO 606 DIN8187, standard pre-loaded, pre-lubricated, do have seamless rollers and are marked with production batch code number for complete traceability. All Donghua roller chains are sealed in plastic bags and packed in cardboard boxes with clear ISO 606 DIN descriptions and safety instructions. Standard packaging size is 5 meter box, reels are available on request. Cut to length service is available on request. Several test certificates like breaking load, length tolerance and material analyses are possible and available on request. Rollers chains which are needed for 'run as pairs' applications can be matched as pairs on request. DIN, 1/2DIN and 1/3DIN length tolerance are possible, please ask us for a quotation. For high temperature, low temperature, food application or special environments different kind of special lubricants are available. Please ask our sales team for any special needs. For drive chain calculation and right dimension check, please contact our engineering department, also see drive chain calculation data sheet on page 301. By filling this data sheet and sending this to our engineering department you will receive a detailed drive chain calculation including life time expectation. Sprockets are available for all roller chains, with pilot bore, fixed bore, keyway, setscrew or bearing bore with grooves. Standard toothing, hardened toothing or special toothing are possible with pilot bore, fixed bore or taper bush. Chain tools, tensioners and chain lubricants please see page 302-310.

Short pitch heavy duty precision roller chains (A series)

Simplex roller chains & bush chains heavy duty series

Part nr.	DIN/ISO 606 Chain no.	ANSI Chain no.	Pitch	Roller diameter	Width between inner plates	Pin diameter	Pin length		Inner plate depth	Plate thickness
							L max	Lc max		
							P	d1 max		
mm		mm		mm		mm		mm		
10035-1H	*06C-1H	*35H-1	9,525	5,08	4,77	3,58	13,30	14,30	9,00	1,50
10040-1H	08A-1H	40H-1	12,700	7,95	7,85	3,96	18,80	19,90	12,00	2,03
10050-1H	10A-1H	50H-1	15,875	10,16	9,40	5,08	22,10	23,40	15,09	2,42
10060-1H	12A-1H	60H-1	19,050	11,91	12,57	5,94	29,20	31,00	18,00	3,25
10080-1H	16A-1H	80H-1	25,400	15,88	15,75	7,92	36,20	37,70	24,00	4,00
100100-1H	20A-1H	100H-1	31,750	19,05	18,90	9,53	43,60	46,90	30,00	4,80
100120-1H	24A-1H	120H-1	38,100	22,23	25,22	11,10	53,50	57,50	35,70	5,60
100140-1H	28A-1H	140H-1	44,450	25,40	25,22	12,70	57,60	62,20	41,00	6,40
100160-1H	32A-1H	160H-1	50,800	28,58	31,55	14,27	68,20	73,00	47,80	7,20
100180-1H	36A-1H	180H-1	57,150	35,71	35,48	17,46	75,90	81,60	53,60	8,00
100200-1H	40A-1H	200H-1	63,500	39,68	37,85	19,85	86,60	93,50	60,00	9,50
100240-1H	48A-1H	240H-1	76,200	47,63	47,35	23,81	109,60	115,90	72,39	12,70

* Bush chain: d1 in the table indicates the external diameter of the bush.



Ultimate tensile strength	Average tensile strength	Weight per meter	Available chain parts						
Q min	Q0	q	E	S	L	C	A	B	
kN/lbf	kN	kg/m							
7,90/1795	10,8	0,41	X				X		
14,10/3205	19,1	0,82	X				X		
22,20/5045	30,2	1,25	X				X		
31,80/7227	42,7	1,87	X				X		
56,70/12886	71,4	3,10	X				X		
88,50/20114	112,4	4,52		X			X		
127,00/28864	160,9	6,60		X			X		
172,40/39182	217,3	8,30		X			X		
226,80/51545	285,8	10,30		X			X		
281,0/63682	341,8	14,83		X			X		
353,80/80409	444,5	19,16		X			X		
510,30/115977	622,5	30,40		X			X		



Solution range



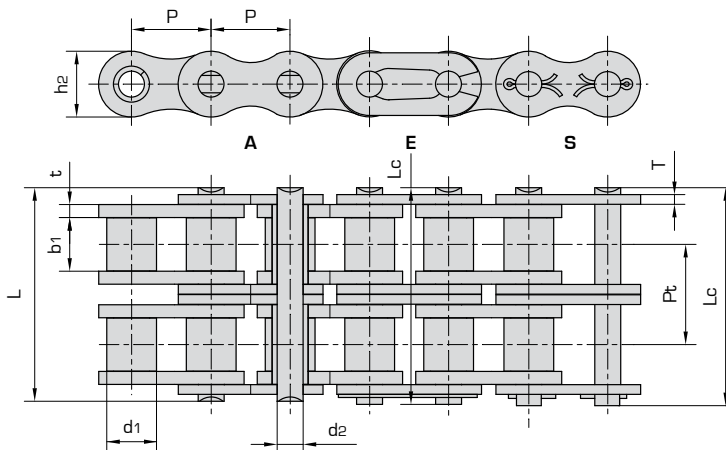
Donghua's Heavy Duty Series are designed for tough and demanding applications and environments. The increased plate thickness offers a higher fatigue resistance. In combination with straight side plates it offers good wear resistant properties for conveyor applications. All Donghua roller chains are: Pre-loaded, Fatigue resistant, Wear resistant and Pre-lubricated. Donghua simplex, duplex and triplex roller chains are manufactured according to ISO 606 DIN8187, standard pre-loaded, pre-lubricated, do have seamless rollers and are marked with production batch code number for complete traceability. All Donghua roller chains are sealed in plastic bags and packed in cardboard boxes with clear ISO 606 DIN descriptions and safety instructions. Standard packaging size is 5 meter box, reels are available on request. Cut to length service is available on request. Several test certificates like breaking load, length tolerance and material analyses are possible and available on request. Rollers chains which are needed for 'run as pairs' applications can be matched as pairs on request. DIN, 1/2DIN and 1/3DIN length tolerance are possible, please ask us for a quotation. For high temperature, low temperature, food application or special environments different kind of special lubricants are available. Please ask our sales team for any special needs. For drive chain calculation and right dimension check, please contact our engineering department, also see drive chain calculation data sheet on page 301. By filling this data sheet and sending this to our engineering department you will receive a detailed drive chain calculation including life time expectation. Sprockets are available for all roller chains, with pilot bore, fixed bore, keyway, setscrew or bearing bore with grooves. Standard toothing, hardened toothing or special toothing are possible with pilot bore, fixed bore or taper bush. Chain tools, tensioners and chain lubricants please see page 302-310.

Short pitch heavy duty precision roller chains (A series)

Duplex roller chains & bush chains heavy duty series

Part nr.	DIN/ISO 606 Chain no.	ANSI Chain no.	Pitch	Roller diameter	Width between inner plates	Pin diameter	Pin length		Inner plate depth	Plate thickness	Transverse pitch
							L max	Lc max			
			P	d1 max	b1 min	d2 max	L max	Lc max	h2 max	T max	
			mm	mm	mm	mm	mm	mm	mm	mm	mm
10060-2H	12A-2H	60H-2	19,050	11,91	12,57	5,94	48,8	50,5	18,00	2,42	22,78
10080-2H	16A-2H	80H-2	25,400	15,88	15,75	7,92	62,7	64,3	24,00	3,25	29,29
100100-2H	20A-2H	100H-2	31,750	19,05	18,90	9,53	76,4	80,5	30,00	4,00	35,76
100120-2H	24A-2H	120H-2	38,100	22,23	25,22	11,10	95,8	99,7	35,70	4,80	45,44
100140-2H	28A-2H	140H-2	44,450	25,40	25,22	12,70	103,3	107,9	41,00	5,60	48,87
100160-2H	32A-2H	160H-2	50,800	28,58	31,55	14,27	123,3	128,1	47,80	6,40	58,55
100180-2H	36A-2H	180H-2	57,150	35,71	35,48	17,46	138,6	144,4	53,60	7,20	65,84
100200-2H	40A-2H	200H-2	63,500	39,68	37,85	19,85	151,9	158,8	60,00	8,00	71,55

* Bush chain: d1 in the table indicates the external diameter of the bush.



Ultimate tensile strength	Average tensile strength	Weight per meter	Available chain parts					
Q min	Q0	q						
kN/lbf	kN	kg/m	E	S	L	C	A	
63,60/14455	84,5	2,92	X				X	
113,40/25773	145,3	5,15	X				X	
177,00/40227	225,9	7,80		X			X	
254,00/57727	322,7	11,70		X			X	
344,80/78364	437,7	15,14		X			X	
453,60/103091	571,6	20,14		X			X	
560,50/127386	680,0	29,22		X			X	
707,60/160818	894,9	32,24		X			X	



Solution range



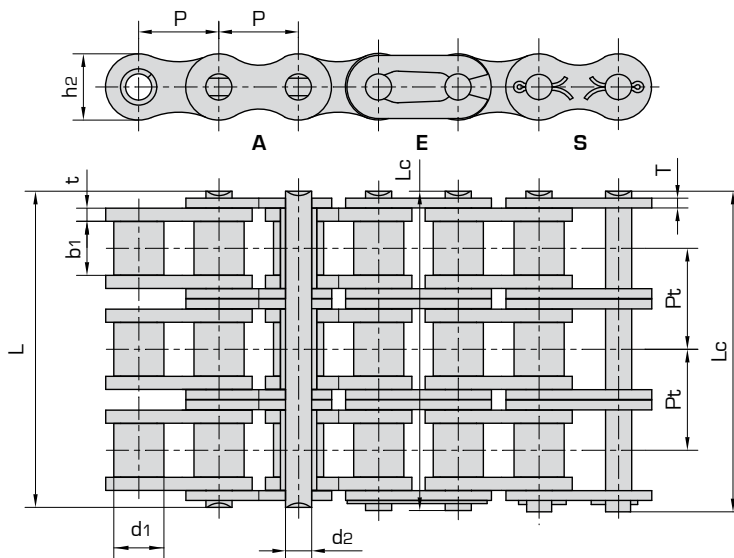
Donghua's Heavy Duty Series are designed for tough and demanding applications and environments. The increased plate thickness offers a higher fatigue resistance. In combination with straight side plates it offers good wear resistant properties for conveyor applications. All Donghua roller chains are: Pre-loaded, Fatigue resistant, Wear resistant and Pre-lubricated. Donghua simplex, duplex and triplex roller chains are manufactured according to ISO 606 DIN8187, standard pre-loaded, pre-lubricated, do have seamless rollers and are marked with production batch code number for complete traceability. All Donghua roller chains are sealed in plastic bags and packed in cardboard boxes with clear ISO 606 DIN descriptions and safety instructions. Standard packaging size is 5 meter box, reels are available on request. Cut to length service is available on request. Several test certificates like breaking load, length tolerance and material analyses are possible and available on request. Rollers chains which are needed for 'run as pairs' applications can be matched as pairs on request. DIN, 1/2DIN and 1/3DIN length tolerance are possible, please ask us for a quotation. For high temperature, low temperature, food application or special environments different kind of special lubricants are available. Please ask our sales team for any special needs. For drive chain calculation and right dimension check, please contact our engineering department, also see drive chain calculation data sheet on page 301. By filling this data sheet and sending this to our engineering department you will receive a detailed drive chain calculation including life time expectation. Sprockets are available for all roller chains, with pilot bore, fixed bore, keyway, setscrew or bearing bore with grooves. Standard toothing, hardened toothing or special toothing are possible with pilot bore, fixed bore or taper bush. Chain tools, tensioners and chain lubricants please see page 302-310.

Short pitch heavy duty precision roller chains (A series)

Triplex roller chains & bush chains heavy duty series

Part nr.	DIN/ISO 606 Chain no.	ANSI Chain no.	Pitch	Roller diameter	Width between inner plates	Pin diameter	Pin length		Inner plate depth	Plate thickness	Transverse pitch
			P	d1 max	b1 min	d2 max	L max	Lc max	h2 max	T max	
			mm	mm	mm	mm	mm	mm	mm	mm	mm
10060-3H	12A-3H	60H-3	19,050	11,91	12,57	5,94	71,5	73,3	18,00	2,42	22,78
10080-3H	16A-3H	80H-3	25,400	15,88	15,75	7,92	91,7	93,6	24,00	3,25	29,29
100100-3H	20A-3H	100H-3	31,750	19,05	18,90	9,53	112,2	116,3	30,00	4,00	35,76
100120-3H	24A-3H	120H-3	38,100	22,23	25,22	11,10	141,4	145,2	35,70	4,80	45,44
100140-3H	28A-3H	140H-3	44,450	25,40	25,22	12,70	152,2	156,8	41,00	5,60	48,87
100160-3H	32A-3H	160H-3	50,800	28,58	31,55	14,27	181,8	186,6	47,80	6,40	58,55
100180-3H	36A-3H	180H-3	57,150	35,71	35,48	17,46	204,4	210,2	53,60	7,20	65,84
100200-3H	40A-3H	200H-3	63,500	39,68	37,85	19,85	223,5	230,4	60,00	8,00	71,55

* Bush chain: d1 in the table indicates the external diameter of the bush.



Ultimate tensile strength	Average tensile strength	Weight per meter	Available chain parts				
Q min	Q0	q	E	S	L	C	A
kN/lbf	kN	kg/m					
95,4/21682	113,9	4,54	X				X
170,1/38659	203,5	7,89	X				X
265,5/60341	314,8	11,77		X			X
381,0/86591	444,7	17,53		X			X
517,2/117545	598,4	22,20		X			X
680,4/154636	787,3	30,02		X			X
840,7/191068	1011,0	38,22		X			X
1061,4/241227	1228,2	49,03		X			X



Solution range



Donghua's Heavy Duty Series are designed for tough and demanding applications and environments. The increased plate thickness offers a higher fatigue resistance. In combination with straight side plates it offers good wear resistant properties for conveyor applications. All Donghua roller chains are: Pre-loaded, Fatigue resistant, Wear resistant and Pre-lubricated. Donghua simplex, duplex and triplex roller chains are manufactured according to ISO 606 DIN8187, standard pre-loaded, pre-lubricated, do have seamless rollers and are marked with production batch code number for complete traceability. All Donghua roller chains are sealed in plastic bags and packed in cardboard boxes with clear ISO 606 DIN descriptions and safety instructions. Standard packaging size is 5 meter box, reels are available on request. Cut to length service is available on request. Several test certificates like breaking load, length tolerance and material analyses are possible and available on request. Rollers chains which are needed for 'run as pairs' applications can be matched as pairs on request. DIN, 1/2DIN and 1/3DIN length tolerance are possible, please ask us for a quotation. For high temperature, low temperature, food application or special environments different kind of special lubricants are available. Please ask our sales team for any special needs. For drive chain calculation and right dimension check, please contact our engineering department, also see drive chain calculation data sheet on page 301. By filling this data sheet and sending this to our engineering department you will receive a detailed drive chain calculation including life time expectation. Sprockets are available for all roller chains, with pilot bore, fixed bore, keyway, setscrew or bearing bore with grooves. Standard toothing, hardened toothing or special toothing are possible with pilot bore, fixed bore or taper bush. Chain tools, tensioners and chain lubricants please see page 302-310.

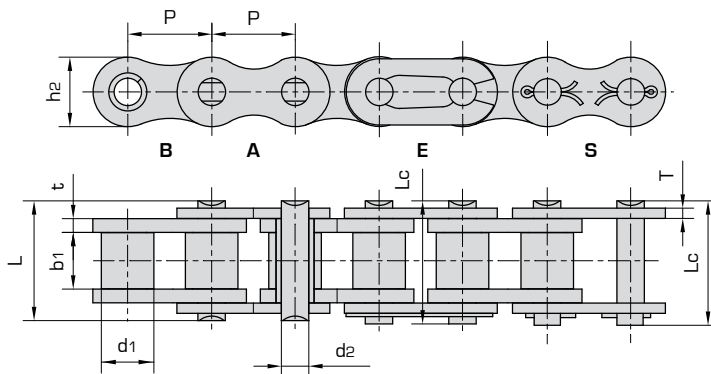
Short pitch heavy duty precision roller chains (A series)

heavy duty series with hard chromized pins

Simplex roller chains & bush chains

Part nr.	DIN/ISO 606 Chain no.	ANSI Chain no.	Pitch	Roller diameter	Width between inner plates	Pin diameter	Pin length		Inner plate depth	Plate thickness
							L max	Lc max		
							P	d1 max		
		mm		mm		mm		mm		
10035-1HCP	*06C-1H	*35H-1	9,525	5,08	4,77	3,58	13,30	14,30	9,00	1,50
10040-1HCP	08A-1H	40H-1	12,700	7,95	7,85	3,96	18,80	19,90	12,00	2,03
10050-1HCP	10A-1H	50H-1	15,875	10,16	9,40	5,08	22,10	23,40	15,09	2,42
10060-1HCP	12A-1H	60H-1	19,050	11,91	12,57	5,94	29,20	31,00	18,00	3,25
10080-1HCP	16A-1H	80H-1	25,400	15,88	15,75	7,92	36,20	37,70	24,00	4,00
100100-1HCP	20A-1H	100H-1	31,750	19,05	18,90	9,53	43,60	46,90	30,00	4,80
100120-1HCP	24A-1H	120H-1	38,100	22,23	22,22	11,10	53,50	57,50	35,70	5,60
100140-1HCP	28A-1H	140H-1	44,450	25,40	25,22	12,70	57,60	62,20	41,00	6,40
100160-1HCP	32A-1H	160H-1	50,800	28,58	31,55	14,27	68,20	73,00	47,80	7,20
100180-1HCP	36A-1H	180H-1	57,150	35,71	35,48	17,46	75,90	81,60	53,60	8,00
100200-1HCP	40A-1H	200H-1	63,500	39,68	37,85	19,85	86,60	93,50	60,00	9,50
100240-1HCP	48A-1H	240H-1	76,200	47,63	47,35	23,81	109,60	115,90	72,39	12,70

* Bush chain: d1 in the table indicates the external diameter of the bush.



Ultimate tensile strength	Average tensile strength	Weight per meter	Available chain parts						
Q min	Q0	q							
kN/lbf	kN	kg/m	E	S	L	C	A	B	
7,90/1795	10,8	0,41	X				X		
14,10/3205	19,1	0,82	X				X		
22,20/5045	30,2	1,25	X				X		
31,80/7227	42,7	1,87	X				X		
56,70/12886	71,4	3,10	X				X		
88,50/20114	112,4	4,52		X			X		
127,00/28864	160,9	6,60		X			X		
172,40/39182	217,3	8,30		X			X		
226,80/51545	285,8	10,30		X			X		
281,0/63682	341,8	14,83		X			X		
353,80/80409	444,5	19,16		X			X		
510,30/115977	622,5	30,40		X			X		



Donghua's Heavy Duty Series are designed for tough and demanding applications and environments. The increased plate thickness offers higher fatigue resistance. In combination with straight side plates it offers good wear resistant properties for conveyor applications. Donghua CP roller chains are built with hard chromized pins. The surface hardness is more than 1100 HV10 offering a +30% higher wear resistance than standard case hardened pins. Donghua CP roller chains are used for tough environments, high speed, and high frequency of movement in the bearing area resisting wear much better than case hardened pins. In combination with highly sophisticated lubricant this technology brings a unique performance in wear resistance. All Donghua roller chains are: Pre-loaded, Fatigue resistant, Wear resistant and Pre-lubricated. Donghua simplex, duplex and triplex roller chains are manufactured according to ISO 606 DIN8187, standard pre-loaded, pre-lubricated, do have seamless rollers and are marked with production batch code number for complete traceability. All Donghua roller chains are sealed in plastic bags and packed in cardboard boxes with clear ISO 606 DIN descriptions and safety instructions. Standard packaging size is 5 meter box, reels are available on request. Cut to length service is available on request. Several test certificates like breaking load, length tolerance and material analyses are possible and available on request. Rollers chains which are needed for 'run as pairs' applications can be matched as pairs on request. DIN, 1/2DIN and 1/3DIN length tolerance are possible, please ask us for a quotation. For high temperature, low temperature, food application or special environments different kind of special lubricants are available. Please ask our sales team for any special needs. For drive chain calculation and right dimension check, please contact our engineering department, also see drive chain calculation data sheet on page 301. By filling this data sheet and sending this to our engineering department you will receive a detailed drive chain calculation including life time expectation. Sprockets are available for all roller chains, with pilot bore, fixed bore, keyway, setscrew or bearing bore with grooves. Standard toothing, hardened toothing or special toothing are possible with pilot bore, fixed bore or taper bush. Chain tools, tensioners and chain lubricants please see page 302-310.

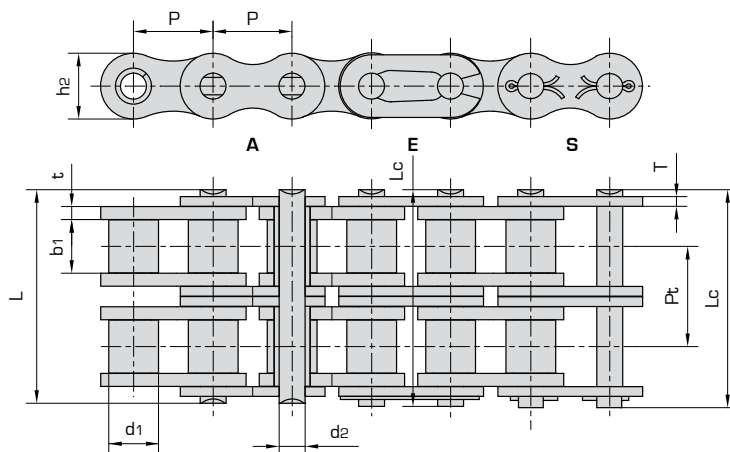
Short pitch heavy duty precision roller chains (A series)

heavy duty series with hard chromized pins

Duplex roller chains & bush chains

Part nr.	DIN/ISO 606 Chain no.	ANSI Chain no.	Pitch	Roller diameter	Width between inner plates	Pin diameter	Pin length		Inner plate depth	Plate thickness	Transverse pitch
							L max	Lc max			
							P	d1 max			
		mm		mm		mm		mm		mm	
10060-2HCP	12A-2H	60H-2	19,050	11,91	12,57	5,94	48,8	50,5	18,00	2,42	22,78
10080-2HCP	16A-2H	80H-2	25,400	15,88	15,75	7,92	62,7	64,3	24,00	3,25	29,29
100100-2HCP	20A-2H	100H-2	31,750	19,05	18,90	9,53	76,4	80,5	30,00	4,00	35,76
100120-2HCP	24A-2H	120H-2	38,100	22,23	25,22	11,10	95,8	99,7	35,70	4,80	45,44
100140-2HCP	28A-2H	140H-2	44,450	25,40	25,22	12,70	103,3	107,9	41,00	5,60	48,87
100160-2HCP	32A-2H	160H-2	50,800	28,58	31,55	14,27	123,3	128,1	47,80	6,40	58,55
100180-2HCP	36A-2H	180H-2	57,150	35,71	35,48	17,46	138,6	144,4	53,60	7,20	65,84
100200-2HCP	40A-2H	200H-2	63,500	39,68	37,85	19,85	151,9	158,8	60,00	8,00	71,55

* Bush chain: d1 in the table indicates the external diameter of the bush.



Ultimate tensile strength	Average tensile strength	Weight per meter	Available chain parts					
Q min	Q0	q						
kN/lbf	kN	kg/m	E	S	L	C	A	
63,60/14455	84,5	2,92	X					X
113,40/25773	145,3	5,15	X					X
177,00/40227	225,9	7,80		X				X
254,00/57727	322,7	11,70		X				X
344,80/78364	437,7	15,14		X				X
453,60/103091	571,6	20,14		X				X
560,50/127386	680,0	29,22		X				X
707,60/160818	894,9	32,24		X				X



Donghua's Heavy Duty Series are designed for tough and demanding applications and environments. The increased plate thickness offers higher fatigue resistance. In combination with straight side plates it offers good wear resistant properties for conveyor applications. Donghua CP roller chains are built with hard chromized pins. The surface hardness is more than 1100 HV10 offering a +30% higher wear resistance than standard case hardened pins. Donghua CP roller chains are used for tough environments, high speed, and high frequency of movement in the bearing area resisting wear much better than case hardened pins. In combination with highly sophisticated lubricant this technology brings a unique performance in wear resistance. All Donghua roller chains are: Pre-loaded, Fatigue resistant, Wear resistant and Pre-lubricated. Donghua simplex, duplex and triplex roller chains are manufactured according to ISO 606 DIN8187, standard pre-loaded, pre-lubricated, do have seamless rollers and are marked with production batch code number for complete traceability. All Donghua roller chains are sealed in plastic bags and packed in cardboard boxes with clear ISO 606 DIN descriptions and safety instructions. Standard packaging size is 5 meter box, reels are available on request. Cut to length service is available on request. Several test certificates like breaking load, length tolerance and material analyses are possible and available on request. Rollers chains which are needed for 'run as pairs' applications can be matched as pairs on request. DIN, 1/2DIN and 1/3DIN length tolerance are possible, please ask us for a quotation. For high temperature, low temperature, food application or special environments different kind of special lubricants are available. Please ask our sales team for any special needs. For drive chain calculation and right dimension check, please contact our engineering department, also see drive chain calculation data sheet on page 301. By filling this data sheet and sending this to our engineering department you will receive a detailed drive chain calculation including life time expectation. Sprockets are available for all roller chains, with pilot bore, fixed bore, keyway, setscrew or bearing bore with grooves. Standard toothing, hardened toothing or special toothing are possible with pilot bore, fixed bore or taper bush. Chain tools, tensioners and chain lubricants please see page 302-310.

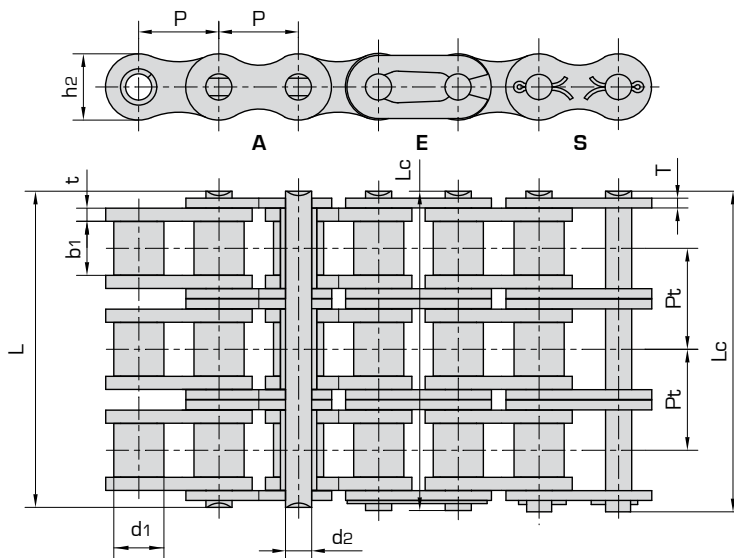
Short pitch heavy duty precision roller chains (A series)

heavy duty series with hard chromized pins

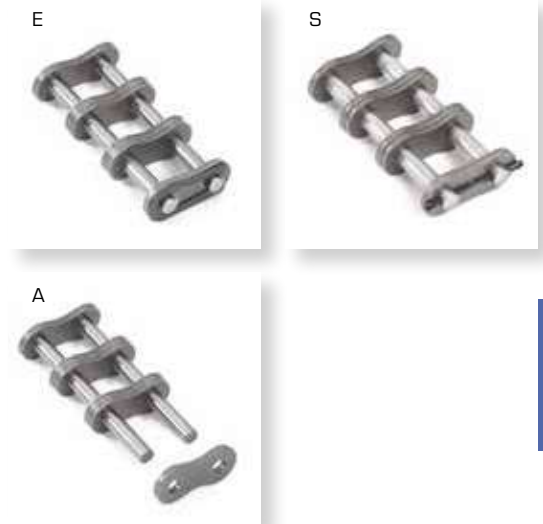
Triplex roller chains & bush chains

Part nr.	DIN/ISO 606 Chain no.	ANSI Chain no.	Pitch	Roller diameter	Width between inner plates	Pin diameter	Pin length		Inner plate depth	Plate thickness	Transverse pitch
							L max	Lc max			
							P	d1 max			
mm		mm		mm		mm		mm		mm	
10060-3HCP	12A-3H	60H-3	19,050	11,91	12,57	5,94	71,5	73,3	18,00	2,42	22,78
10080-3HCP	16A-3H	80H-3	25,400	15,88	15,75	7,92	91,7	93,6	24,00	3,25	29,29
100100-3HCP	20A-3H	100H-3	31,750	19,05	18,90	9,53	112,2	116,3	30,00	4,00	35,76
100120-3HCP	24A-3H	120H-3	38,100	22,23	25,22	11,10	141,4	145,2	35,70	4,80	45,44
100140-3HCP	28A-3H	140H-3	44,450	25,40	25,22	12,70	152,2	156,8	41,00	5,60	48,87
100160-3HCP	32A-3H	160H-3	50,800	28,58	31,55	14,27	181,8	186,6	47,80	6,40	58,55
100180-3HCP	36A-3H	180H-3	57,150	35,71	35,48	17,46	204,4	210,2	53,60	7,20	65,84
100200-3HCP	40A-3H	200H-3	63,500	39,68	37,85	19,85	223,5	230,4	60,00	8,00	71,55

* Bush chain: d1 in the table indicates the external diameter of the bush.



Ultimate tensile strength	Average tensile strength	Weight per meter	Available chain parts				
Q min	Q0	q					
kN/lbf	kN	kg/m	E	S	L	C	A
95,4/21682	113,9	4,54	X				X
170,1/38659	203,5	7,89	X				X
265,5/60341	314,8	11,77		X			X
381,0/86591	444,7	17,53		X			X
517,2/117545	598,4	22,20		X			X
680,4/154636	787,3	30,02		X			X
840,7/191068	1011,0	38,22		X			X
1061,4/241227	1228,2	49,03		X			X



Donghua's Heavy Duty Series are designed for tough and demanding applications and environments. The increased plate thickness offers higher fatigue resistance. In combination with straight side plates it offers good wear resistant properties for conveyor applications. Donghua CP roller chains are built with hard chromized pins. The surface hardness is more than 1100 HV10 offering a +30% higher wear resistance than standard case hardened pins. Donghua CP roller chains are used for tough environments, high speed, and high frequency of movement in the bearing area resisting wear much better than case hardened pins. In combination with highly sophisticated lubricant this technology brings a unique performance in wear resistance. All Donghua roller chains are: Pre-loaded, Fatigue resistant, Wear resistant and Pre-lubricated. Donghua simplex, duplex and triplex roller chains are manufactured according to ISO 606 DIN8187, standard pre-loaded, pre-lubricated, do have seamless rollers and are marked with production batch code number for complete traceability. All Donghua roller chains are sealed in plastic bags and packed in cardboard boxes with clear ISO 606 DIN descriptions and safety instructions. Standard packaging size is 5 meter box, reels are available on request. Cut to length service is available on request. Several test certificates like breaking load, length tolerance and material analyses are possible and available on request. Rollers chains which are needed for 'run as pairs' applications can be matched as pairs on request. DIN, 1/2DIN and 1/3DIN length tolerance are possible, please ask us for a quotation. For high temperature, low temperature, food application or special environments different kind of special lubricants are available. Please ask our sales team for any special needs. For drive chain calculation and right dimension check, please contact our engineering department, also see drive chain calculation data sheet on page 301. By filling this data sheet and sending this to our engineering department you will receive a detailed drive chain calculation including life time expectation. Sprockets are available for all roller chains, with pilot bore, fixed bore, keyway, setscrew or bearing bore with grooves. Standard toothing, hardened toothing or special toothing are possible with pilot bore, fixed bore or taper bush. Chain tools, tensioners and chain lubricants please see page 302-310.

Solution Range

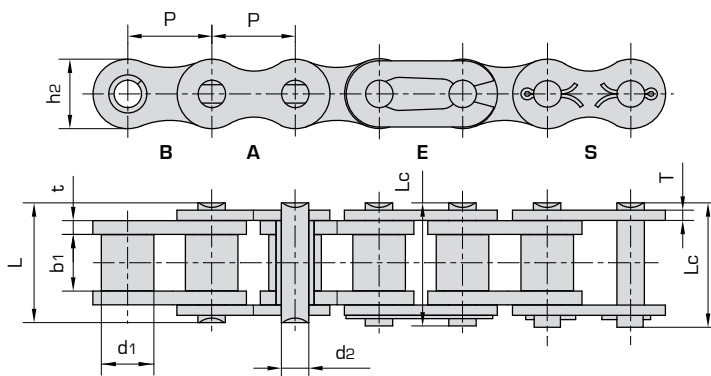
Short pitch heavy duty precision roller chains (A series)

heavy duty series

Simplex roller chains & bush chains

Part nr.	DIN/ISO 606 Chain no.	ANSI Chain no.	Pitch	Roller diameter	Width between inner plates	Pin diameter	Pin length		Inner plate depth	Plate thickness	
			P	d1 max	b1 min	d2 max	L max	Lc max	h2 max	T max	
			mm	mm	mm	mm	mm	mm	mm	mm	mm
10050-1HV	10A-1HV	50HV-1	15,875	10,16	9,40	5,08	22,10	23,40	15,09	2,42	
10060-1HV	12A-1HV	60HV-1	19,050	11,91	12,57	5,94	29,20	31,00	18,00	3,25	
10080-1HV	16A-1HV	80HV-1	25,400	15,88	15,75	7,92	36,20	37,70	24,00	4,00	
100100-1HV	20A-1HV	100HV-1	31,750	19,05	18,90	9,53	43,60	46,90	30,00	4,80	
100120-1HV	24A-1HV	120HV-1	38,100	22,23	25,22	11,10	53,50	57,50	35,70	5,60	
100140-1HV	28A-1HV	140HV-1	44,450	25,40	25,22	12,70	57,60	62,20	41,00	6,40	
100160-1HV	32A-1HV	160HV-1	50,800	28,58	31,55	14,27	68,20	73,00	47,80	7,20	

* Bush chain: d1 in the table indicates the external diameter of the bush.



Ultimate tensile strength	Average tensile strength	Weight per meter	Available chain parts					
Q min	Q0	q	E	S	L	C	A	B
kN/lbf	kN	kg/m						
22,20/5045	30,2	1,25	X				X	
31,80/7227	42,7	1,87	X				X	
56,70/12886	71,4	3,10	X				X	
88,50/20114	112,4	4,52		X			X	
127,00/28864	160,9	6,60		X			X	
172,40/39182	217,3	8,30		X			X	
226,80/51545	285,8	10,30		X			X	



All Donghua HV Series roller chains provide up to 20% higher Tensile Strength than the standard ANSI series by using through-hardened pins and links plates. HV Series roller chains also provide a higher shock load resistance and are best suited for low operating speeds - up to 50 m/min. Dimensions are identical to the H-Series roller chain. All Donghua roller chains are: Pre-loaded, Fatigue resistant, Wear resistant and Pre-lubricated. Donghua simplex, duplex and triplex roller chains are manufactured according to ISO 606 DIN8187, standard pre-loaded, pre-lubricated, do have seamless rollers and are marked with production batch code number for complete traceability. All Donghua roller chains are sealed in plastic bags and packed in cardboard boxes with clear ISO 606 DIN descriptions and safety instructions. Standard packaging size is 5 meter box, reels are available on request. Cut to length service is available on request. Several test certificates like breaking load, length tolerance and material analyses are possible and available on request. Rollers chains which are needed for 'run as pairs' applications can be matched as pairs on request. DIN, 1/2DIN and 1/3DIN length tolerance are possible, please ask us for a quotation. For high temperature, low temperature, food application or special environments different kind of special lubricants are available. Please ask our sales team for any special needs. For drive chain calculation and right dimension check, please contact our engineering department, also see drive chain calculation data sheet on page 301. By filling this data sheet and sending this to our engineering department you will receive a detailed drive chain calculation including life time expectation. Sprockets are available for all roller chains, with pilot bore, fixed bore, keyway, setscrew or bearing bore with grooves. Standard toothing, hardened toothing or special toothing are possible with pilot bore, fixed bore or taper bush. Chain tools, tensioners and chain lubricants please see page 302-310.

Solution range

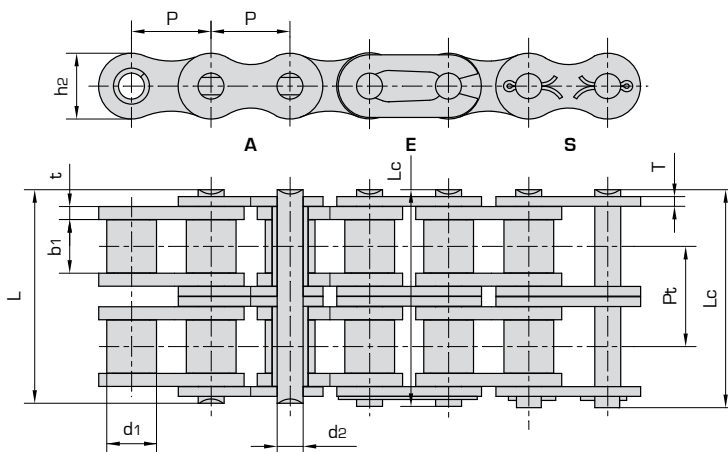
Short pitch heavy duty precision roller chains (A series)

heavy duty series

Duplex roller chains & bush chains

Part nr.	DIN/ISO 606 Chain no.	ANSI Chain no.	Pitch	Roller diameter	Width between inner plates	Pin diameter	Pin length		Inner plate depth	Plate thickness	Transverse pitch
			P	d1 max	b1 min	d2 max	L max	Lc max	h2 max	T max	
			mm	mm	mm	mm	mm	mm	mm	mm	mm
10060-2HV	12A-2HV	60HV-2	19,050	11,91	12,57	5,94	48,8	50,5	18,00	2,42	22,78
10080-2HV	16A-2HV	80HV-2	25,400	15,88	15,75	7,92	62,7	64,3	24,00	3,25	29,29
100100-2HV	20A-2HV	100HV-2	31,750	19,05	18,90	9,53	76,4	80,5	30,00	4,00	35,76
100120-2HV	24A-2HV	120HV-2	38,100	22,23	25,22	11,10	95,8	99,7	35,70	4,80	45,44
100140-2HV	28A-2HV	140HV-2	44,450	25,40	25,22	12,70	103,3	107,9	41,00	5,60	48,87
100160-2HV	32A-2HV	160HV-2	50,800	28,58	31,55	14,27	123,3	128,1	47,80	6,40	58,55

* Bush chain: d1 in the table indicates the external diameter of the bush.



Ultimate tensile strength	Average tensile strength	Weight per meter	Available chain parts					
Q min	Q0	q						
kN/lbf	kN	kg/m	E	S	L	C	A	
63,60/14455	82,1	2,92	X					X
113,40/25773	141,8	5,15	X					X
177,00/40227	219,4	7,80		X				X
254,00/57727	314,9	11,70		X				X
344,80/78364	427,5	15,14		X				X
453,60/103091	562,4	20,14		X				X



Solution range



All Donghua HV Series roller chains provide up to 20% higher Tensile Strength than the standard ANSI series by using through-hardened pins and links plates. HV Series roller chains also provide a higher shock load resistance and are best suited for low operating speeds - up to 50 m/min. Dimensions are identical to the H-Series roller chain. All Donghua roller chains are: Pre-loaded, Fatigue resistant, Wear resistant and Pre-lubricated. Donghua simplex, duplex and triplex roller chains are manufactured according to ISO 606 DIN8187, standard pre-loaded, pre-lubricated, do have seamless rollers and are marked with production batch code number for complete traceability. All Donghua roller chains are sealed in plastic bags and packed in cardboard boxes with clear ISO 606 DIN descriptions and safety instructions. Standard packaging size is 5 meter box, reels are available on request. Cut to length service is available on request. Several test certificates like breaking load, length tolerance and material analyses are possible and available on request. Rollers chains which are needed for 'run as pairs' applications can be matched as pairs on request. DIN, 1/2DIN and 1/3DIN length tolerance are possible, please ask us for a quotation. For high temperature, low temperature, food application or special environments different kind of special lubricants are available. Please ask our sales team for any special needs. For drive chain calculation and right dimension check, please contact our engineering department, also see drive chain calculation data sheet on page 301. By filling this data sheet and sending this to our engineering department you will receive a detailed drive chain calculation including life time expectation. Sprockets are available for all roller chains, with pilot bore, fixed bore, keyway, setscrew or bearing bore with grooves. Standard toothing, hardened toothing or special toothing are possible with pilot bore, fixed bore or taper bush. Chain tools, tensioners and chain lubricants please see page 302-310.

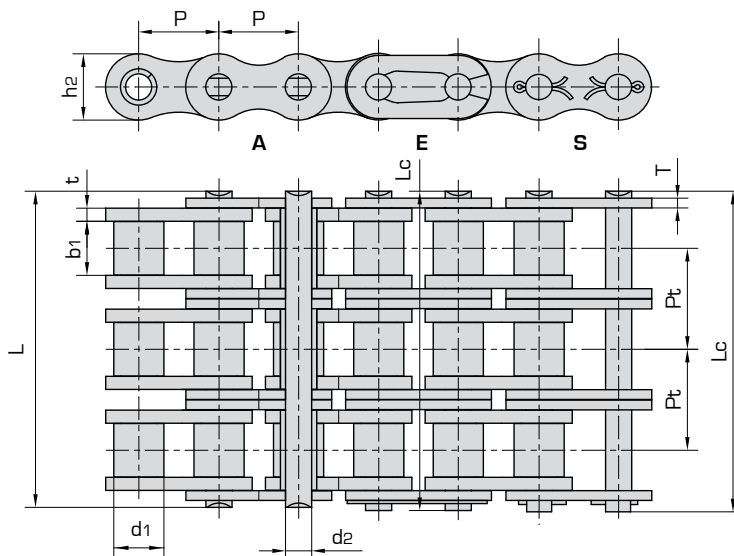
Short pitch heavy duty precision roller chains (A series)

heavy duty series

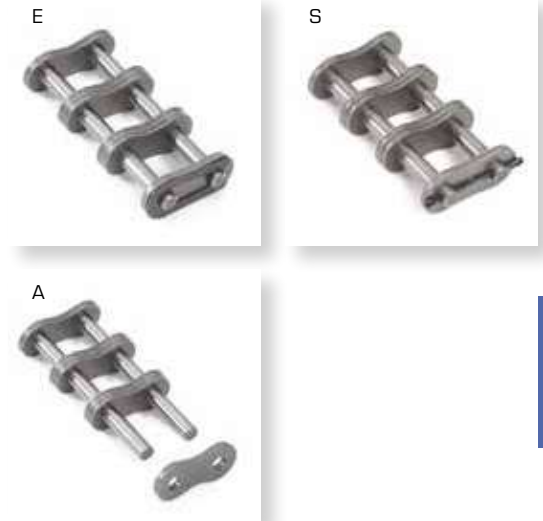
Triplex roller chains & bush chains

Part nr.	DIN/ISO 606 Chain no.	ANSI Chain no.	Pitch	Roller diameter	Width between inner plates	Pin diameter	Pin length		Inner plate depth	Plate thickness	Transverse pitch
							L max	Lc max			
			P	d1 max	b1 min	d2 max	L max	Lc max	h2 max	T max	
			mm	mm	mm	mm	mm	mm	mm	mm	mm
10060-3HV	12A-3HV	60HV-3	19,050	11,91	12,57	5,94	71,5	73,3	18,00	2,42	22,78
10080-3HV	16A-3HV	80HV-3	25,400	15,88	15,75	7,92	91,7	93,6	24,00	3,25	29,29
100100-3HV	20A-3HV	100HV-3	31,750	19,05	18,90	9,53	112,2	116,3	30,00	4,00	35,76
100120-3HV	24A-3HV	120HV-3	38,100	22,23	25,22	11,10	141,4	145,2	35,70	4,80	45,44
100140-3HV	28A-3HV	140HV-3	44,450	25,40	25,22	12,70	152,2	156,8	41,00	5,60	48,87
100160-3HV	32A-3HV	160HV-3	50,800	28,58	31,55	14,27	181,8	186,6	47,80	6,40	58,55

* Bush chain: d1 in the table indicates the external diameter of the bush.



Ultimate tensile strength	Average tensile strength	Weight per meter	Available chain parts				
Q min	Q0	q	E	S	L	C	A
kN/lbf	kN	kg/m					
95,4/21682	111,1	4,54	X				X
170,1/38659	198,4	7,89	X				X
265,5/60341	309,6	11,77		X			X
381,0/86591	437,2	17,53		X			X
517,2/117545	593,3	22,20		X			X
680,4/154636	780,6	30,02		X			X



All Donghua HV Series roller chains provide up to 20% higher Tensile Strength than the standard ANSI series by using through-hardened pins and links plates. HV Series roller chains also provide a higher shock load resistance and are best suited for low operating speeds - up to 50 m/min. Dimensions are identical to the H-Series roller chain. All Donghua roller chains are: Pre-loaded, Fatigue resistant, Wear resistant and Pre-lubricated. Donghua simplex, duplex and triplex roller chains are manufactured according to ISO 606 DIN8187, standard pre-loaded, pre-lubricated, do have seamless rollers and are marked with production batch code number for complete traceability. All Donghua roller chains are sealed in plastic bags and packed in cardboard boxes with clear ISO 606 DIN descriptions and safety instructions. Standard packaging size is 5 meter box, reels are available on request. Cut to length service is available on request. Several test certificates like breaking load, length tolerance and material analyses are possible and available on request. Rollers chains which are needed for 'run as pairs' applications can be matched as pairs on request. DIN, 1/2DIN and 1/3DIN length tolerance are possible, please ask us for a quotation. For high temperature, low temperature, food application or special environments different kind of special lubricants are available. Please ask our sales team for any special needs. For drive chain calculation and right dimension check, please contact our engineering department, also see drive chain calculation data sheet on page 301. By filling this data sheet and sending this to our engineering department you will receive a detailed drive chain calculation including life time expectation. Sprockets are available for all roller chains, with pilot bore, fixed bore, keyway, setscrew or bearing bore with grooves. Standard toothing, hardened toothing or special toothing are possible with pilot bore, fixed bore or taper bush. Chain tools, tensioners and chain lubricants please see page 302-310.

Solution range

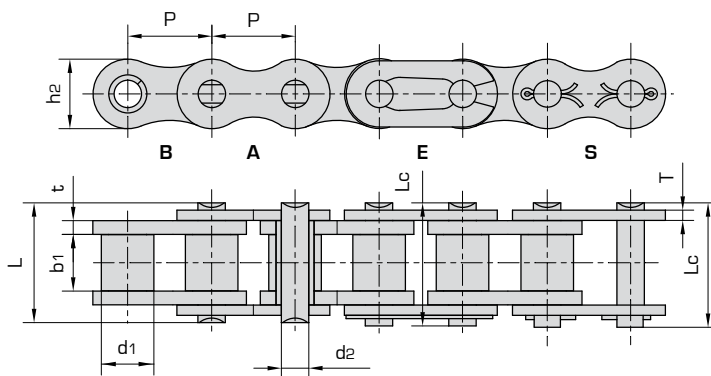
Short pitch heavy duty precision roller chains (A series)

heavy duty series with hard chromized pins

Simplex roller chains & bush chains

Part nr.	DIN/ISO 606 Chain no.	ANSI Chain no.	Pitch	Roller diameter	Width between inner plates	Pin diameter	Pin length		Inner plate depth	Plate thickness	
							L max	Lc max			
			P	d1 max	b1 min	d2 max	L max	Lc max	h2 max	T max	
			mm	mm	mm	mm	mm	mm	mm	mm	mm
10050-1HVCP	10A-1HV	50HV-1	15,875	10,16	9,40	5,08	22,10	23,40	15,09	2,42	
10060-1HVCP	12A-1HV	60HV-1	19,050	11,91	12,57	5,94	29,20	31,00	18,00	3,25	
10080-1HVCP	16A-1HV	80HV-1	25,400	15,88	15,75	7,92	36,20	37,70	24,00	4,00	
100100-1HVCP	20A-1HV	100HV-1	31,750	19,05	18,90	9,53	43,60	46,90	30,00	4,80	
100120-1HVCP	24A-1HV	120HV-1	38,100	22,23	25,22	11,10	53,50	57,50	35,70	5,60	
100140-1HVCP	28A-1HV	140HV-1	44,450	25,40	25,22	12,70	57,60	62,20	41,00	6,40	
100160-1HVCP	32A-1HV	160HV-1	50,800	28,58	31,55	14,27	68,20	73,00	47,80	7,20	

* Bush chain: d1 in the table indicates the external diameter of the bush.



Ultimate tensile strength	Average tensile strength	Weight per meter	Available chain parts					
Q min	Q0	q	E	S	L	C	A	B
kN/lbf	kN	kg/m						
22,20/5045	30,2	1,25	X				X	
31,80/7227	42,7	1,87	X				X	
56,70/12886	71,4	3,10	X				X	
88,50/20114	112,4	4,52		X			X	
127,00/28864	160,9	6,60		X			X	
172,40/39182	217,3	8,30		X			X	
226,80/51545	285,8	10,30		X			X	



All Donghua HV Series roller chains provides a up to 20% higher Tensile Strength than the standard ANSI series by using through-hardened HV Series roller chains which also provides a higher shock load resistance and is best suited for low operating speeds - up to 50 m/min. Dimensions Donghua CP roller chains are built with hard chromized pins. The surface hardness is more than 1100 HV10 offering a +30% higher wear resistance. Donghua CP roller chains are used for tough environments, high speed, high frequency of movement in the bearing area resisting wear. All Donghua roller chains are: Pre-loaded, Fatigue resistant, Wear resistant and Pre-lubricated. Donghua simplex, duplex and triplex roller chains are manufactured according to ISO 606 DIN8187, standard pre-loaded, pre-lubrication on request, do have seamless rollers and are marked with production batch code number for complete traceability. All Donghua roller chains are sealed in plastic bags and packed in cardboard boxes with clear ISO 606 DIN descriptions and safety instructions. Standard packaging size is 5 meter box, reels are available on request. Cut to length service is available on request. Several test certificates like breaking load, length tolerance and material analyses are possible and available on request. Rollers chains which are needed for 'run as pairs' applications can be matched as pairs on request. DIN, 1/2DIN and 1/3DIN length tolerance are possible, please ask us for a quotation. For high temperature, low temperature, food application or special environments different kind of special lubricants are available. Please ask our sales team for any special needs. For drive chain calculation and right dimension check, please contact our engineering department, also see drive chain calculation data sheet on page 301. By filling this data sheet and sending this to our engineering department you will receive a detailed drive chain calculation including life time expectation. Sprockets are available for all roller chains, with pilot bore, fixed bore, keyway, setscrew or bearing bore with grooves. Standard toothing, hardened toothing or special toothing are possible with pilot bore, fixed bore or taper bush. Chain tools, tensioners and chain lubricants please see page 302-310.

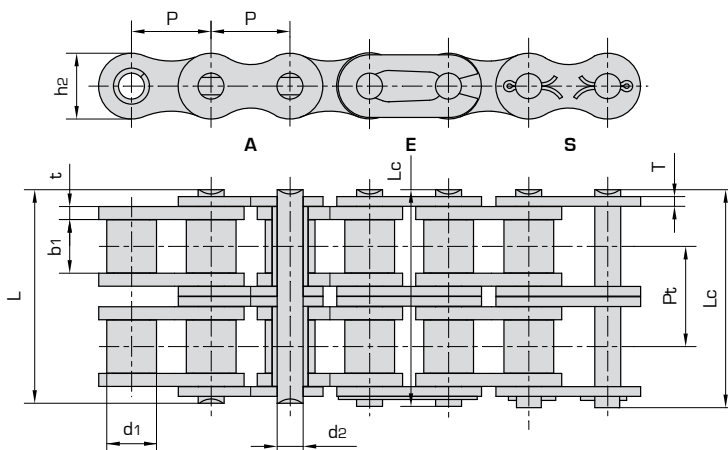
Short pitch heavy duty precision roller chains (A series)

heavy duty series with hard chromized pins

Duplex roller chains & bush chains

Part nr.	DIN/ISO 606 Chain no.	ANSI Chain no.	Pitch	Roller diameter	Width between inner plates	Pin diameter	Pin length		Inner plate depth	Plate thickness	Transverse pitch
							L max	Lc max			
			P	d1 max	b1 min	d2 max	L max	Lc max	h2 max	T max	
			mm	mm	mm	mm	mm	mm	mm	mm	mm
10060-2HVCP	12A-2HV	60HV-2	19,050	11,91	12,57	5,94	48,8	50,5	18,00	2,42	22,78
10080-2HVCP	16A-2HV	80HV-2	25,400	15,88	15,75	7,92	62,7	64,3	24,00	3,25	29,29
100100-2HVCP	20A-2HV	100HV-2	31,750	19,05	18,90	9,53	76,4	80,5	30,00	4,00	35,76
100120-2HVCP	24A-2HV	120HV-2	38,100	22,23	25,22	11,10	95,8	99,7	35,70	4,80	45,44
100140-2HVCP	28A-2HV	140HV-2	44,450	25,40	25,22	12,70	103,3	107,9	41,00	5,60	48,87
100160-2HVCP	32A-2HV	160HV-2	50,800	28,58	31,55	14,27	123,3	128,1	47,80	6,40	58,55

* Bush chain: d1 in the table indicates the external diameter of the bush.



Ultimate tensile strength	Average tensile strength	Weight per meter	Available chain parts					
Q min	Q0	q	E	S	L	C	A	
kN/lbf	kN	kg/m						
63,60/14455	82,1	2,92	X				X	
113,40/25773	141,8	5,15	X				X	
177,00/40227	219,4	7,80		X			X	
254,00/57727	314,9	11,70		X			X	
344,80/78364	427,5	15,14		X			X	
453,60/103091	562,4	20,14		X			X	



All Donghua HV Series roller chains provides a up to 20% higher Tensile Strength than the standard ANSI series by using through-hardened HV Series roller chains which also provides a higher shock load resistance and is best suited for low operating speeds - up to 50 m/min. Dimensions Donghua CP roller chains are built with hard chromized pins. The surface hardness is more than 1100 HV10 offering a +30% higher wear resistance. Donghua CP roller chains are used for tough environments, high speed, high frequency of movement in the bearing area resisting wear. All Donghua roller chains are: Pre-loaded, Fatigue resistant, Wear resistant and Pre-lubricated. Donghua simplex, duplex and triplex roller chains are manufactured according to ISO 606 DIN8187, standard pre-loaded, pre-lubrication on request, do have seamless rollers and are marked with production batch code number for complete traceability. All Donghua roller chains are sealed in plastic bags and packed in cardboard boxes with clear ISO 606 DIN descriptions and safety instructions. Standard packaging size is 5 meter box, reels are available on request. Cut to length service is available on request. Several test certificates like breaking load, length tolerance and material analyses are possible and available on request. Rollers chains which are needed for 'run as pairs' applications can be matched as pairs on request. DIN, 1/2DIN and 1/3DIN length tolerance are possible, please ask us for a quotation. For high temperature, low temperature, food application or special environments different kind of special lubricants are available. Please ask our sales team for any special needs. For drive chain calculation and right dimension check, please contact our engineering department, also see drive chain calculation data sheet on page 301. By filling this data sheet and sending this to our engineering department you will receive a detailed drive chain calculation including life time expectation. Sprockets are available for all roller chains, with pilot bore, fixed bore, keyway, setscrew or bearing bore with grooves. Standard toothing, hardened toothing or special toothing are possible with pilot bore, fixed bore or taper bush. Chain tools, tensioners and chain lubricants please see page 302-310.

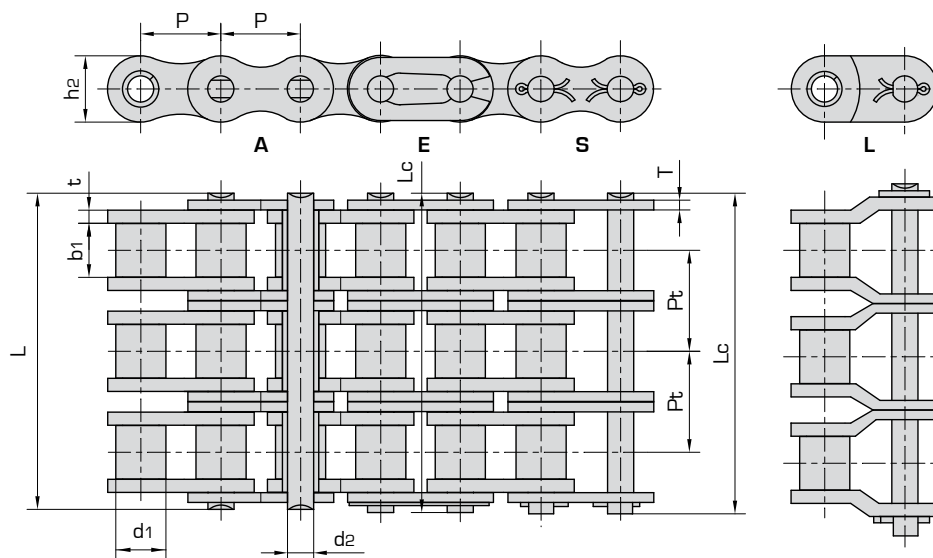
Short pitch heavy duty precision roller chains (A series)

heavy duty series with hard chromized pins

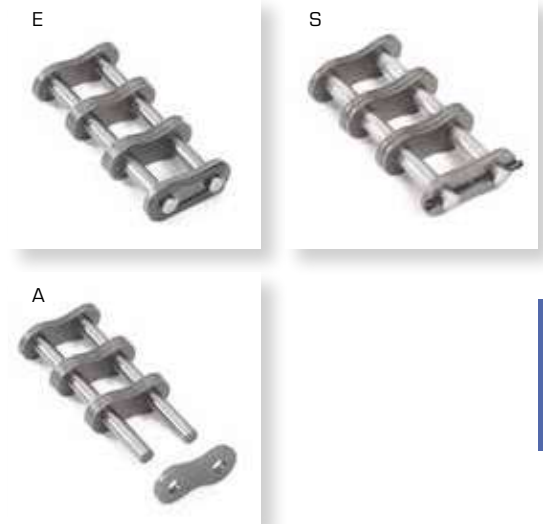
Triplex roller chains & bush chains

Part nr.	DIN/ISO 606 Chain no.	ANSI Chain no.	Pitch	Roller diameter	Width between inner plates	Pin diameter	Pin length		Inner plate depth	Plate thickness	Transverse pitch
			P	d1 max	b1 min	d2 max	L max	Lc max	h2 max	T max	
			mm	mm	mm	mm	mm	mm	mm	mm	mm
10060-3HVCP	12A-3HV	60HV-3	19,050	11,91	12,57	5,94	71,5	73,3	18,00	2,42	22,78
10080-3HVCP	16A-3HV	80HV-3	25,400	15,88	15,75	7,92	91,7	93,6	24,00	3,25	29,29
100100-3HVCP	20A-3HV	100HV-3	31,750	19,05	18,90	9,53	112,2	116,3	30,00	4,00	35,76
100120-3HVCP	24A-3HV	120HV-3	38,100	22,23	25,22	11,10	141,4	145,2	35,70	4,80	45,44
100140-3HVCP	28A-3HV	140HV-3	44,450	25,40	25,22	12,70	152,2	156,8	41,00	5,60	48,87
100160-3HVCP	32A-3HV	160HV-3	50,800	28,58	31,55	14,27	181,8	186,6	47,80	6,40	58,55

* Bush chain: d1 in the table indicates the external diameter of the bush.



Ultimate tensile strength	Average tensile strength	Weight per meter	Available chain parts				
Q min	Q0	q					
kN/lbf	kN	kg/m	E	S	L	C	A
95,4/21682	111,1	4,54	X				X
170,1/38659	198,4	7,89	X				X
265,5/60341	309,6	11,77		X			X
381,0/86591	437,2	17,53		X			X
517,2/117545	593,3	22,20		X			X
680,4/154636	780,6	30,02		X			X



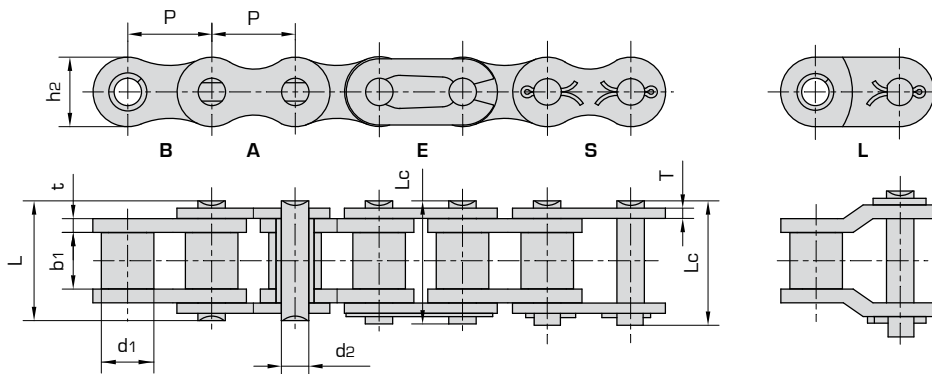
All Donghua HV Series roller chains provides a up to 20% higher Tensile Strength than the standard ANSI series by using through-hardened HV Series roller chains which also provides a higher shock load resistance and is best suited for low operating speeds - up to 50 m/min. Dimensions Donghua CP roller chains are built with hard chromized pins. The surface hardness is more than 1100 HV10 offering a +30% higher wear resistance. Donghua CP roller chains are used for tough environments, high speed, high frequency of movement in the bearing area resisting wear. All Donghua roller chains are: Pre-loaded, Fatigue resistant, Wear resistant and Pre-lubricated. Donghua simplex, duplex and triplex roller chains are manufactured according to ISO 606 DIN8187, standard pre-loaded, pre-lubrication on request, do have seamless rollers and are marked with production batch code number for complete traceability. All Donghua roller chains are sealed in plastic bags and packed in cardboard boxes with clear ISO 606 DIN descriptions and safety instructions. Standard packaging size is 5 meter box, reels are available on request. Cut to length service is available on request. Several test certificates like breaking load, length tolerance and material analyses are possible and available on request. Rollers chains which are needed for 'run as pairs' applications can be matched as pairs on request. DIN, 1/2DIN and 1/3DIN length tolerance are possible, please ask us for a quotation. For high temperature, low temperature, food application or special environments different kind of special lubricants are available. Please ask our sales team for any special needs. For drive chain calculation and right dimension check, please contact our engineering department, also see drive chain calculation data sheet on page 301. By filling this data sheet and sending this to our engineering department you will receive a detailed drive chain calculation including life time expectation. Sprockets are available for all roller chains, with pilot bore, fixed bore, keyway, setscrew or bearing bore with grooves. Standard toothing, hardened toothing or special toothing are possible with pilot bore, fixed bore or taper bush. Chain tools, tensioners and chain lubricants please see page 302-310.

Short pitch heavy duty precision roller chains (A series)

heavy duty SP series high strength

Simplex roller chains & bush chains

Part nr.	DIN/ISO 606 Chain no.	ANSI Chain no.	Pitch	Roller diameter	Width between inner plates	Pin diameter	Pin length		Inner plate depth	Plate thickness
							L max	Lc max		
			P	d1 max	b1 min	d2 max	L max	Lc max	h2 max	T max
			mm	mm	mm	mm	mm	mm	mm	mm
10080-1SP	16A-1	80	25,400	15,88	15,75	7,94	32,70	36,50	24,10	3,20
100100-1SP	20A-1	100	31,750	19,05	18,95	9,54	40,40	44,70	30,10	4,00
100120-1SP	24A-1	120	38,100	22,23	25,22	11,11	50,30	54,30	36,20	4,80
100140-1SP	28A-1	140	44,450	25,40	25,22	12,71	54,40	59,00	42,20	5,60
100160-1SP	32A-1	160	50,800	28,58	31,55	14,29	64,80	69,60	48,20	6,40
100200-1SP	40A-1	200	63,500	39,68	37,85	19,85	80,30	87,20	60,30	8,00



Ultimate tensile strength	Average tensile strength	Weight per meter	Available chain parts					
Q min	Q0	q	E	S	L	C	A	B
kN/lbf	kN	kg/m						
77,5/17434	85,3	2,86	X		X	X	X	
115,5/25982	127,0	4,21		X	X		X	
165,0/37118	186,0	6,36		X	X		X	
222,7/50098	245,0	8,04		X	X		X	
285,5/64215	314,0	10,80		X	X		X	
445,5/100208	490,0	18,00		X	X		X	



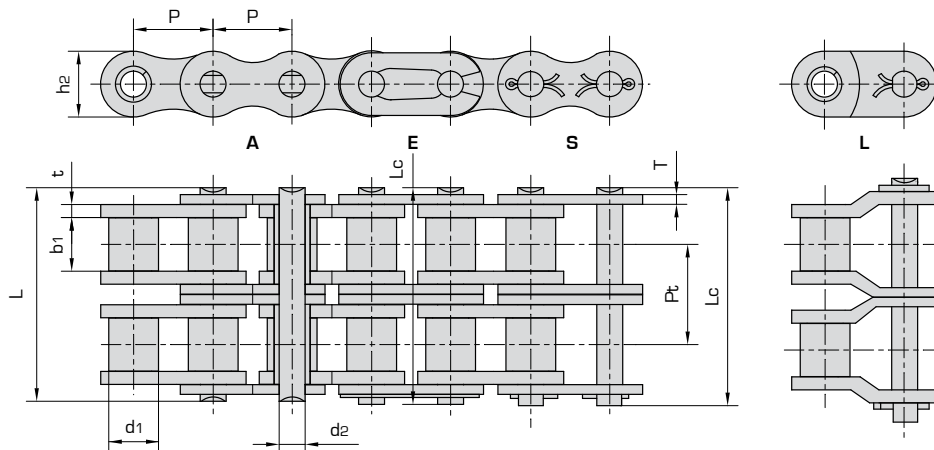
The Donghua SP Series dimensions are identical to those of the standard ANSI Series roller chains. The special design of the SP Series link plate delivers exceptional performance. The pitch holes are critically formed and ball drifted and the pins are through-hardened for greater shock resistance (25% to 30%). SP Series roller chains offer 10% higher tensile strength than the equivalent size standard ANSI Series roller chain. The Donghua SP Series can be used to replace the next larger pitch size of standard ANSI Series, making them ideal for applications where chain space is limited. Best suited for low speed operating conditions - up to 50 m/min. All Donghua roller chains are: Pre-loaded, Fatigue resistant, Wear resistant and Pre-lubricated. Donghua simplex, duplex and triplex roller chains are manufactured according to ISO 606 DIN8188, standard pre-loaded, pre-lubricated, do have seamless rollers and are marked with production batch code number for complete traceability. All Donghua roller chains are sealed in plastic bags and packed in cardboard boxes with clear ISO 606 DIN descriptions and safety instructions. Standard packaging size is 5 meter box, reels are available on request. Cut to length service is available on request. Several test certificates like breaking load, length tolerance and material analyses are possible and available on request. Rollers chains which are needed for 'run as pairs' applications can be matched as pairs on request. DIN, 1/2DIN and 1/3DIN length tolerance are possible, please ask us for a quotation. For high temperature, low temperature, food application or special environments different kind of special lubricants are available. Please ask our sales team for any special needs. For drive chain calculation and right dimension check, please contact our engineering department, also see drive chain calculation data sheet on page 301. By filling this data sheet and sending this to our engineering department you will receive a detailed drive chain calculation including life time expectation. Sprockets are available for all roller chains, with pilot bore, fixed bore, keyway, setscrew or bearing bore with grooves. Standard toothing, hardened toothing or special toothing are possible with pilot bore, fixed bore or taper bush. Chain tools, tensioners and chain lubricants please see page 302-310.

Short pitch heavy duty precision roller chains (A series)

heavy duty SP series high strength

Duplex roller chains & bush chains

Part nr.	DIN/ISO 606 Chain no.	ANSI Chain no.	Pitch	Roller diameter	Width between inner plates	Pin diameter	Pin length		Inner plate depth	Plate thickness	Transverse pitch
			P	d1 max	b1 min	d2 max	L max	Lc max	h2 max	T max	
			mm	mm	mm	mm	mm	mm	mm	mm	mm
10080-2SP	16A-2	80-2	25,400	15,88	15,75	7,94	62,7	65,8	24,10	3,20	29,29
100100-2SP	20A-2	100-2	31,750	19,05	18,95	9,54	76,4	80,5	30,10	4,00	35,76
100120-2SP	24A-2	120-2	38,100	22,23	25,22	11,11	95,8	99,7	36,20	4,80	45,34
100140-2SP	28A-2	140-2	44,450	25,40	25,22	12,71	103,3	107,9	42,20	5,60	48,87
100160-2SP	32A-2	160-2	50,800	28,58	31,55	14,29	123,3	128,1	48,20	6,40	58,55
100200-2SP	40A-2	200-2	63,500	39,68	37,85	19,85	151,9	158,8	60,30	8,00	71,55



Ultimate tensile strength	Average tensile strength	Weight per meter	Available chain parts				
Q min	Q0	q	E	S	L	C	A
kN/lbf	kN	kg/m					
155,0/34868	170,6	5,68	X		X	X	X
231,0/51965	255,0	8,34		X	X		X
339,0/76260	373,0	12,63		X	X		X
445,5/100218	490,0	15,92		X	X		X
571,0/128430	628,0	21,43		X	X		X
892,0/200621	981,0	35,00		X	X		X



Solution range

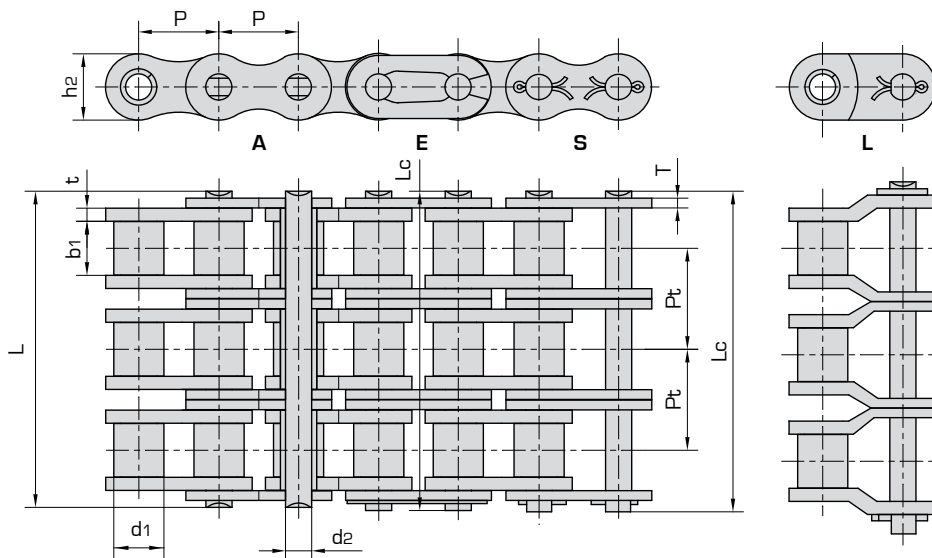
The Donghua SP Series dimensions are identical to those of the standard ANSI Series roller chains. The special design of the SP Series link plate delivers exceptional performance. The pitch holes are critically formed and ball drifted and the pins are through-hardened for greater shock resistance (25% to 30%). SP Series roller chains offer 10% higher tensile strength than the equivalent size standard ANSI Series roller chain. The Donghua SP Series can be used to replace the next larger pitch size of standard ANSI Series, making them ideal for applications where chain space is limited. Best suited for low speed operating conditions - up to 50 m/min. All Donghua roller chains are: Pre-loaded, Fatigue resistant, Wear resistant and Pre-lubricated. Donghua simplex, duplex and triplex roller chains are manufactured according to ISO 606 DIN8188, standard pre-loaded, pre-lubricated, do have seamless rollers and are marked with production batch code number for complete traceability. All Donghua roller chains are sealed in plastic bags and packed in cardboard boxes with clear ISO 606 DIN descriptions and safety instructions. Standard packaging size is 5 meter box, reels are available on request. Cut to length service is available on request. Several test certificates like breaking load, length tolerance and material analyses are possible and available on request. Rollers chains which are needed for 'run as pairs' applications can be matched as pairs on request. DIN, 1/2DIN and 1/3DIN length tolerance are possible, please ask us for a quotation. For high temperature, low temperature, food application or special environments different kind of special lubricants are available. Please ask our sales team for any special needs. For drive chain calculation and right dimension check, please contact our engineering department, also see drive chain calculation data sheet on page 301. By filling this data sheet and sending this to our engineering department you will receive a detailed drive chain calculation including life time expectation. Sprockets are available for all roller chains, with pilot bore, fixed bore, keyway, setscrew or bearing bore with grooves. Standard toothing, hardened toothing or special toothing are possible with pilot bore, fixed bore or taper bush. Chain tools, tensioners and chain lubricants please see page 302-310.

Short pitch heavy duty precision roller chains (A series)

heavy duty SP series high strength

Triplex roller chains & bush chains

Part nr.	DIN/ISO 606 Chain no.	ANSI Chain no.	Pitch	Roller diameter	Width between inner plates	Pin diameter	Pin length		Inner plate depth	Plate thickness	Transverse pitch
			P	d1 max	b1 min	d2 max	L max	Lc max	h2 max	T max	
			mm	mm	mm	mm	mm	mm	mm	mm	mm
10080-3SP	16A-3	80-3	25,400	15,88	15,75	7,94	91,7	95,1	24,10	3,20	29,29
100100-3SP	20A-3	100-3	31,750	19,05	18,95	9,54	112,2	116,3	30,10	4,00	35,76
100120-3SP	24A-3	120-3	38,100	22,23	25,22	11,11	141,4	145,2	36,20	4,80	45,44
100140-3SP	28A-3	140-3	44,450	25,40	25,22	12,71	152,2	156,8	42,20	5,60	48,87
100160-3SP	32A-3	160-3	50,800	28,58	31,55	14,29	181,8	186,6	48,20	6,40	58,55
100200-3SP	40A-3	200-3	63,500	39,68	37,85	19,85	223,5	230,4	60,30	8,00	71,55



Ultimate tensile strength	Average tensile strength	Weight per meter	Available chain parts				
Q min	Q0	q					
kN/lbf	kN	kg/m	E	S	L	C	A
232,5/52302	255,9	8,18	X		X		X
347,3/78128	382,0	12,47		X	X		X
508,0/114278	559,0	18,90		X	X		X
688,0/150271	735,0	23,84		X	X		X
855,5/192441	941,0	32,10		X	X		X
1336,4/300633	1470,0	52,50	X	X			X



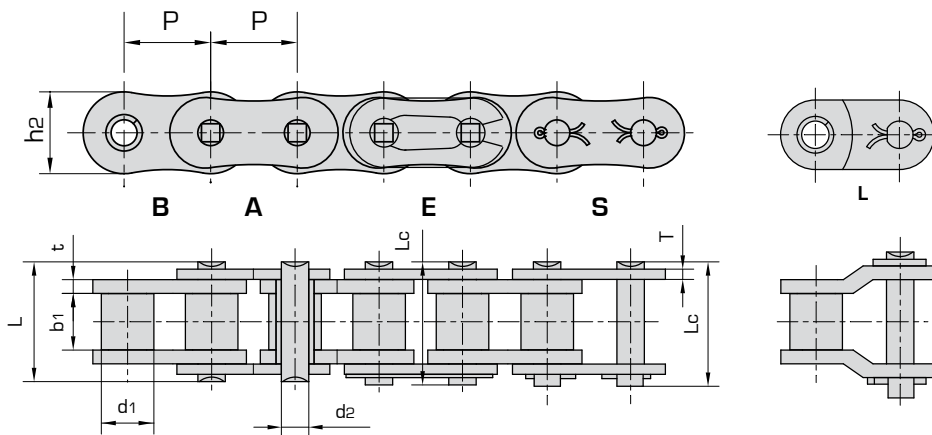
The Donghua SP Series dimensions are identical to those of the standard ANSI Series roller chains. The special design of the SP Series link plate delivers exceptional performance. The pitch holes are critically formed and ball drifted and the pins are through-hardened for greater shock resistance (25% to 30%). SP Series roller chains offer 10% higher tensile strength than the equivalent size standard ANSI Series roller chain. The Donghua SP Series can be used to replace the next larger pitch size of standard ANSI Series, making them ideal for applications where chain space is limited. Best suited for low speed operating conditions - up to 50 m/min. All Donghua roller chains are: Pre-loaded, Fatigue resistant, Wear resistant and Pre-lubricated. Donghua simplex, duplex and triplex roller chains are manufactured according to ISO 606 DIN8188, standard pre-loaded, pre-lubricated, do have seamless rollers and are marked with production batch code number for complete traceability. All Donghua roller chains are sealed in plastic bags and packed in cardboard boxes with clear ISO 606 DIN descriptions and safety instructions. Standard packaging size is 5 meter box, reels are available on request. Cut to length service is available on request. Several test certificates like breaking load, length tolerance and material analyses are possible and available on request. Rollers chains which are needed for 'run as pairs' applications can be matched as pairs on request. DIN, 1/2DIN and 1/3DIN length tolerance are possible, please ask us for a quotation. For high temperature, low temperature, food application or special environments different kind of special lubricants are available. Please ask our sales team for any special needs. For drive chain calculation and right dimension check, please contact our engineering department, also see drive chain calculation data sheet on page 301. By filling this data sheet and sending this to our engineering department you will receive a detailed drive chain calculation including life time expectation. Sprockets are available for all roller chains, with pilot bore, fixed bore, keyway, setscrew or bearing bore with grooves. Standard tothing, hardened tothing or special tothing are possible with pilot bore, fixed bore or taper bush. Chain tools, tensioners and chain lubricants please see page 302-310.

Short pitch heavy duty precision roller chains (A series)

heavy duty SP series high strength with hard chromized pins

Simplex roller chains & bush chains

Part nr.	DIN/ISO 606 Chain no.	ANSI Chain no.	Pitch	Roller diameter	Width between inner plates	Pin diameter	Pin length		Inner plate depth	Plate thickness
							L max	Lc max		
							P	d1 max		
		mm		mm		mm		mm		
10080-1SPCP	16A-1	80	25,400	15,88	15,75	7,94	32,70	36,50	24,10	3,20
100100-1SPCP	20A-1	100	31,750	19,05	18,95	9,54	40,40	44,70	30,10	4,00
100120-1SPCP	24A-1	120	38,100	22,23	22,22	11,11	50,30	54,30	36,20	4,80
100140-1SPCP	28A-1	140	44,450	25,40	25,22	12,71	54,40	59,00	42,20	5,60
100160-1SPCP	32A-1	160	50,800	28,58	31,55	14,29	64,80	69,60	48,20	6,40
100200-1SPCP	40A-1	200	63,500	39,68	37,85	19,85	80,30	87,20	60,30	8,00



Ultimate tensile strength	Average tensile strength	Weight per meter	Available chain parts					
Q min	Q0	q						
kN/lbf	kN	kg/m	E	S	L	C	A	B
77,5/17434	85,3	2,86	X		X	X	X	
115,5/25982	127,0	4,21		X	X		X	
165,0/37118	186,0	6,36		X	X		X	
222,7/50098	245,0	8,04		X	X		X	
285,5/64215	314,0	10,80		X	X		X	
445,5/100208	490,0	18,00		X	X		X	



Solution range

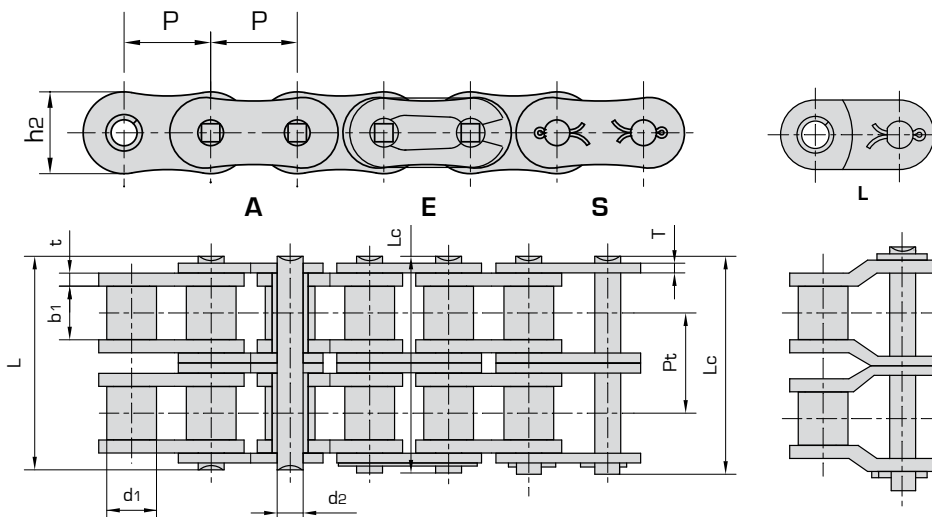
The Donghua SP Series dimensions are identical to those of the standard ANSI Series roller chains. The special design of the SP Series link plate delivers exceptional performance. The pitch holes are critically formed and ball drifted and the pins are through-hardened for greater shock resistance (25% to 30%). SP Series roller chains offer 10% higher tensile strength than the equivalent size standard ANSI Series roller chain. The Donghua SP Series can be used to replace the next larger pitch size of standard ANSI Series, making them ideal for applications where chain space is limited. Best suited for low speed operating conditions - up to 50 m/min. Donghua CP roller chains are built with hard chromized pins. The surface hardness is more than 1100 HV10 offering a +30% higher wear resistance than standard case hardened pins. Donghua CP roller chain are used for tough environments, high speed, and high frequency of movement in the bearing area resisting wear much better than case hardened pins. In combination with highly sophisticated lubricant this technology brings a unique performance in wear resistance. All Donghua roller chains are: Pre-loaded, Fatigue resistant, Wear resistant and Pre-lubricated. Donghua simplex, duplex and triplex roller chains are manufactured according to ISO 606 DIN8188, standard pre-loaded, pre-lubricated, do have seamless rollers and are marked with production batch code number for complete traceability. All Donghua roller chains are sealed in plastic bags and packed in cardboard boxes with clear ISO 606 DIN descriptions and safety instructions. Standard packaging size is 5 meter box, reels are available on request. Cut to length service is available on request. Several test certificates like breaking load, length tolerance and material analyses are possible and available on request. Rollers chains which are needed for 'run as pairs' applications can be matched as pairs on request. DIN, 1/2DIN and 1/3DIN length tolerance are possible, please ask us for a quotation. For high temperature, low temperature, food application or special environments different kind of special lubricants are available. Please ask our sales team for any special needs. For drive chain calculation and right dimension check, please contact our engineering department, also see drive chain calculation data sheet on page 301. By filling this data sheet and sending this to our engineering department you will receive a detailed drive chain calculation including life time expectation. Sprockets are available for all roller chains, with pilot bore, fixed bore, keyway, setscrew or bearing bore with grooves. Standard toothing, hardened toothing or special toothing are possible with pilot bore, fixed bore or taper bush. Chain tools, tensioners and chain lubricants please see page 302-310.

Short pitch heavy duty precision roller chains (A series)

heavy duty SP series high strength with hard chromized pins

Duplex roller chains & bush chains

Part nr.	DIN/ISO 606 Chain no.	ANSI Chain no.	Pitch	Roller diameter	Width between inner plates	Pin diameter	Pin length		Inner plate depth	Plate thickness	Transverse pitch
							L max	Lc max			
			P	d1 max	b1 min	d2 max	L max	Lc max	h2 max	T max	
			mm	mm	mm	mm	mm	mm	mm	mm	mm
10080-2SPCP	16A-2	80-2	25,400	15,88	15,75	7,94	62,7	65,8	24,10	3,20	29,29
100100-2SPCP	20A-2	100-2	31,750	19,05	18,95	9,54	76,4	80,5	30,10	4,00	35,76
100120-2SPCP	24A-2	120-2	38,100	22,23	25,22	11,11	95,8	99,7	36,20	4,80	45,34
100140-2SPCP	28A-2	140-2	44,450	25,40	25,22	12,71	103,3	107,9	42,20	5,60	48,87
100160-2SPCP	32A-2	160-2	50,800	28,58	31,55	14,29	123,3	128,1	48,20	6,40	58,55
100200-2SPCP	40A-2	200-2	63,500	39,68	37,85	19,85	151,9	158,8	60,30	8,00	71,55



Ultimate tensile strength	Average tensile strength	Weight per meter	Available chain parts				
Q min	Q0	q	E	S	L	C	A
kN/lbf	kN	kg/m					
155,0/34868	170,6	5,68	X		X	X	X
231,0/51965	255,0	8,34		X	X		X
339,0/76260	373,0	12,63		X	X		X
445,5/100218	490,0	15,92		X	X		X
571,0/128430	628,0	21,43		X	X		X
892,0/200621	981,0	35,00		X	X		X



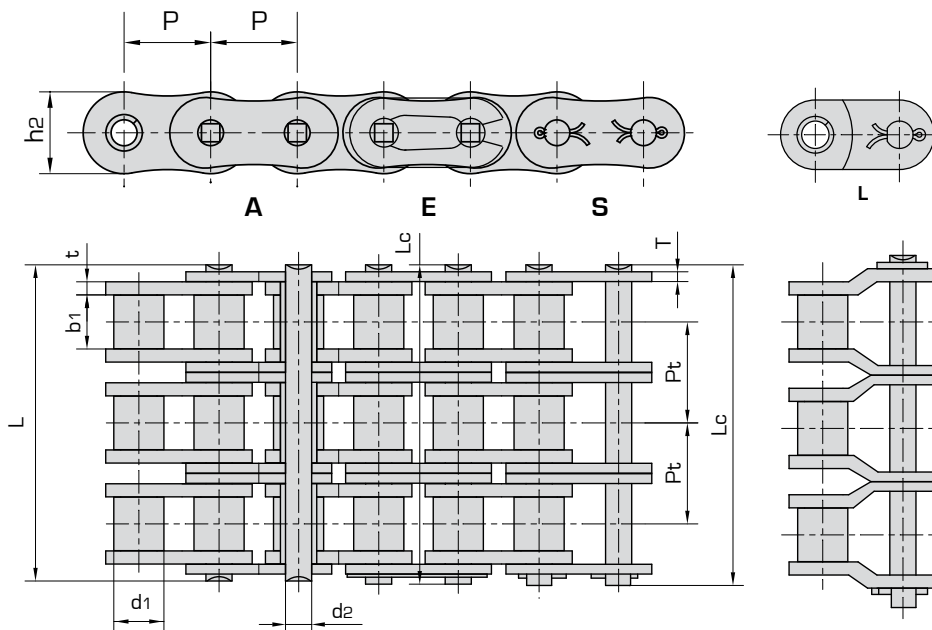
The Donghua SP Series dimensions are identical to those of the standard ANSI Series roller chains. The special design of the SP Series link plate delivers exceptional performance. The pitch holes are critically formed and ball drifted and the pins are through-hardened for greater shock resistance (25% to 30%). SP Series roller chains offer 10% higher tensile strength than the equivalent size standard ANSI Series roller chain. The Donghua SP Series can be used to replace the next larger pitch size of standard ANSI Series, making them ideal for applications where chain space is limited. Best suited for low speed operating conditions - up to 50 m/min. Donghua CP roller chains are built with hard chromized pins. The surface hardness is more than 1100 HV10 offering a +30% higher wear resistance than standard case hardened pins. Donghua CP roller chain are used for tough environments, high speed, and high frequency of movement in the bearing area resisting wear much better than case hardened pins. In combination with highly sophisticated lubricant this technology brings a unique performance in wear resistance. All Donghua roller chains are: Pre-loaded, Fatigue resistant, Wear resistant and Pre-lubricated. Donghua simplex, duplex and triplex roller chains are manufactured according to ISO 606 DIN8188, standard pre-loaded, pre-lubricated, do have seamless rollers and are marked with production batch code number for complete traceability. All Donghua roller chains are sealed in plastic bags and packed in cardboard boxes with clear ISO 606 DIN descriptions and safety instructions. Standard packaging size is 5 meter box, reels are available on request. Cut to length service is available on request. Several test certificates like breaking load, length tolerance and material analyses are possible and available on request. Rollers chains which are needed for 'run as pairs' applications can be matched as pairs on request. DIN, 1/2DIN and 1/3DIN length tolerance are possible, please ask us for a quotation. For high temperature, low temperature, food application or special environments different kind of special lubricants are available. Please ask our sales team for any special needs. For drive chain calculation and right dimension check, please contact our engineering department, also see drive chain calculation data sheet on page 301. By filling this data sheet and sending this to our engineering department you will receive a detailed drive chain calculation including life time expectation. Sprockets are available for all roller chains, with pilot bore, fixed bore, keyway, setscrew or bearing bore with grooves. Standard toothing, hardened toothing or special toothing are possible with pilot bore, fixed bore or taper bush. Chain tools, tensioners and chain lubricants please see page 302-310.

Short pitch heavy duty precision roller chains (A series)

heavy duty SP series high strength with hard chromized pins

Triplex roller chains & bush chains

Part nr.	DIN/ISO 606 Chain no.	ANSI Chain no.	Pitch	Roller diameter	Width between inner plates	Pin diameter	Pin length		Inner plate depth	Plate thickness	Transverse pitch
							L max	Lc max			
			P	d1 max	b1 min	d2 max	L max	Lc max	h2 max	T max	
			mm	mm	mm	mm	mm	mm	mm	mm	mm
10080-3SPCP	16A-3	80-3	25,400	15,88	15,75	7,94	91,7	95,1	24,10	3,20	29,29
100100-3SPCP	20A-3	100-3	31,750	19,05	18,95	9,54	112,2	116,3	30,10	4,00	35,76
100120-3SPCP	24A-3	120-3	38,100	22,23	22,22	11,11	141,4	145,2	36,20	4,80	45,44
100140-3SPCP	28A-3	140-3	44,450	25,40	25,22	12,71	152,2	156,8	42,20	5,60	48,87
100160-3SPCP	32A-3	160-3	50,800	28,58	31,55	14,29	181,8	186,6	48,20	6,40	58,55
100200-3SPCP	40A-3	200-3	63,500	39,68	37,85	19,85	223,5	230,4	60,30	8,00	71,55



Ultimate tensile strength	Average tensile strength	Weight per meter	Available chain parts				
Q min	Q0	q	E	S	L	C	A
kN/lbf	kN	kg/m					
232,5/52302	255,9	8,18	X		X		X
347,3/78128	382,0	12,47		X	X		X
508,0/114278	559,0	18,90		X	X		X
688,0/150271	735,0	23,84		X	X		X
855,5/192441	941,0	32,10		X	X		X
1336,4/300633	1470,0	52,50		X	X		X



The Donghua SP Series dimensions are identical to those of the standard ANSI Series roller chains. The special design of the SP Series link plate delivers exceptional performance. The pitch holes are critically formed and ball drifted and the pins are through-hardened for greater shock resistance (25% to 30%). SP Series roller chains offer 10% higher tensile strength than the equivalent size standard ANSI Series roller chain. The Donghua SP Series can be used to replace the next larger pitch size of standard ANSI Series, making them ideal for applications where chain space is limited. Best suited for low speed operating conditions - up to 50 m/min. Donghua CP roller chains are built with hard chromized pins. The surface hardness is more than 1100 HV10 offering a +30% higher wear resistance than standard case hardened pins. Donghua CP roller chain are used for tough environments, high speed, and high frequency of movement in the bearing area resisting wear much better than case hardened pins. In combination with highly sophisticated lubricant this technology brings a unique performance in wear resistance. All Donghua roller chains are: Pre-loaded, Fatigue resistant, Wear resistant and Pre-lubricated. Donghua simplex, duplex and triplex roller chains are manufactured according to ISO 606 DIN8188, standard pre-loaded, pre-lubricated, do have seamless rollers and are marked with production batch code number for complete traceability. All Donghua roller chains are sealed in plastic bags and packed in cardboard boxes with clear ISO 606 DIN descriptions and safety instructions. Standard packaging size is 5 meter box, reels are available on request. Cut to length service is available on request. Several test certificates like breaking load, length tolerance and material analyses are possible and available on request. Rollers chains which are needed for 'run as pairs' applications can be matched as pairs on request. DIN, 1/2DIN and 1/3DIN length tolerance are possible, please ask us for a quotation. For high temperature, low temperature, food application or special environments different kind of special lubricants are available. Please ask our sales team for any special needs. For drive chain calculation and right dimension check, please contact our engineering department, also see drive chain calculation data sheet on page 301. By filling this data sheet and sending this to our engineering department you will receive a detailed drive chain calculation including life time expectation. Sprockets are available for all roller chains, with pilot bore, fixed bore, keyway, setscrew or bearing bore with grooves. Standard toothing, hardened toothing or special toothing are possible with pilot bore, fixed bore or taper bush. Chain tools, tensioners and chain lubricants please see page 302-310.





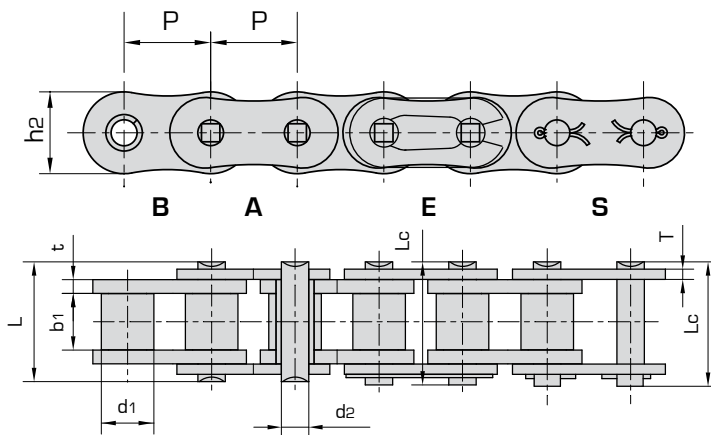
Short pitch heavy duty precision roller chains (A series)

heavy duty HSP series high strength

Simplex roller chains & bush chains

Part nr.	DIN/ISO 606 Chain no.	ANSI Chain no.	Pitch	Roller diameter	Width between inner plates	Pin diameter	Pin length		Inner plate depth	Plate thickness
							L max	Lc max		
			P	d1 max	b1 min	d2 max	L max	Lc max	h2 max	T max
			mm	mm	mm	mm	mm	mm	mm	mm
10080-1HSP	16A-1	80	25,400	15,88	15,75	7,94	36,20	38,90	24,10	4,00
100100-1HSP	20A-1	100	31,750	19,05	18,95	9,54	43,60	46,90	30,10	4,80
100120-1HSP	24A-1	120	38,100	22,23	25,22	11,11	53,50	57,50	36,20	5,60
100140-1HSP	28A-1	140	44,450	25,40	25,22	12,71	57,60	62,20	42,20	6,40
100160-1HSP	32A-1	160	50,800	28,58	31,55	14,29	68,20	73,00	48,20	7,20
100200-1HSP	40A-1	200	63,500	39,68	37,85	19,85	86,60	93,50	60,30	9,50

* All connecting links have standard connecting plates with press fit difficult to mount but increase fatigue resistance by 15%.



Ultimate tensile strength	Average tensile strength	Weight per meter	Available chain parts					
Q min	Q0	q						
kN/lbf	kN	kg/m	E*	S*	L	C	A	B
89,2/20066	98,1	3,36	X				X	
131,8/29649	145,0	4,90		X			X	
176,0/39592	196,0	7,12		X			X	
231,9/52149	255,0	8,88		X			X	
294,5/66260	324,0	11,72		X			X	
543,6/122295	598,0	19,80		X			X	



The Donghua HSP Series. The thickness of the link plates is the same as the H & HV Series roller chains. The special pin material is also through-hardened which provides a higher tensile strength and a higher shock load resistance than SP Series roller chains. The pitch holes are critically formed and ball drifted. HSP Series roller chain can be used to replace the next larger size of ANSI standard roller chain, making them ideal for applications where space is limited. Best suited for low speed operating conditions - up to 50 m/min. All Donghua roller chains are: Pre-loaded, Fatigue resistant, Wear resistant and Pre-lubricated. Donghua simplex, duplex and triplex roller chains are manufactured according to ISO 606 DIN8188, standard pre-loaded, pre-lubricated, do have seamless rollers and are marked with production batch code number for complete traceability. All Donghua roller chains are sealed in plastic bags and packed in cardboard boxes with clear ISO 606 DIN descriptions and safety instructions. Standard packaging size is 5 meter box, reels are available on request. Cut to length service is available on request. Several test certificates like breaking load, length tolerance and material analyses are possible and available on request. Rollers chains which are needed for 'run as pairs' applications can be matched as pairs on request. DIN, 1/2DIN and 1/3DIN length tolerance are possible, please ask us for a quotation. For high temperature, low temperature, food application or special environments different kind of special lubricants are available. Please ask our sales team for any special needs. For drive chain calculation and right dimension check, please contact our engineering department, also see drive chain calculation data sheet on page 301. By filling this data sheet and sending this to our engineering department you will receive a detailed drive chain calculation including life time expectation. Sprockets are available for all roller chains, with pilot bore, fixed bore, keyway, setscrew or bearing bore with grooves. Standard toothing, hardened toothing or special toothing are possible with pilot bore, fixed bore or taper bush. Chain tools, tensioners and chain lubricants please see page 302-310.

Solution range

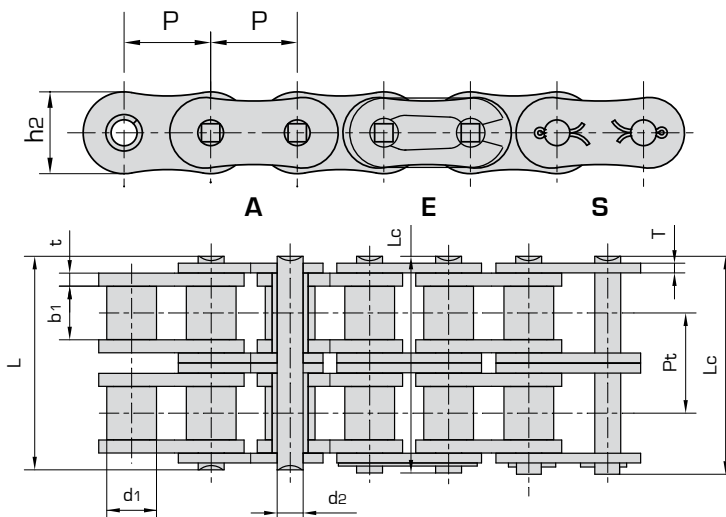
Short pitch heavy duty precision roller chains (A series)

heavy duty HSP series high strength

Duplex roller chains & bush chains

Part nr.	DIN/ISO 606 Chain no.	ANSI Chain no.	Pitch	Roller diameter	Width between inner plates	Pin diameter	Pin length		Inner plate depth	Plate thickness	Transverse pitch
							L max	Lc max			
			P	d1 max	b1 min	d2 max	L max	Lc max	h2 max	T max	
			mm	mm	mm	mm	mm	mm	mm	mm	mm
10080-2HSP	16A-2	80-2	25,400	15,88	15,75	7,94	68,8	72,0	24,10	4,00	32,59
100100-2HSP	20A-2	100-2	31,750	19,05	18,95	9,54	82,7	86,0	30,10	4,80	39,09
100120-2HSP	24A-2	120-2	38,100	22,23	22,22	11,11	102,4	106,4	36,20	5,60	48,87
100140-2HSP	28A-2	140-2	44,450	25,40	25,22	12,71	109,8	114,4	42,20	6,40	52,20
100160-2HSP	32A-2	160-2	50,800	28,58	31,55	14,29	130,1	134,9	48,20	7,20	61,90
100200-2HSP	40A-2	200-2	63,500	39,68	37,85	19,85	164,9	171,8	60,30	9,50	78,31

* All connecting links have standard connecting plates with press fit difficult to mount but increase fatigue resistance by 15%.



Ultimate tensile strength	Average tensile strength	Weight per meter	Available chain parts					
Q min	Q0	q						
kN/lbf	kN	kg/m	E*	S*	L	C	A	
178,4/40132	196,2	6,65	X					X
263,6/59299	290,0	9,71		X				X
356,4/80175	392,0	14,12		X				X
463,6/104300	510,0	17,38		X				X
588,0/132275	647,0	23,00		X				X
1091,0/245429	1200,0	38,50		X				X



The Donghua HSP Series. The thickness of the link plates is the same as the H & HV Series roller chains. The special pin material is also through-hardened which provides a higher tensile strength and a higher shock load resistance than SP Series roller chains. The pitch holes are critically formed and ball drifted. HSP Series roller chain can be used to replace the next larger size of ANSI standard roller chain, making them ideal for applications where space is limited. Best suited for low speed operating conditions - up to 50 m/min. All Donghua roller chains are: Pre-loaded, Fatigue resistant, Wear resistant and Pre-lubricated. Donghua simplex, duplex and triplex roller chains are manufactured according to ISO 606 DIN8188, standard pre-loaded, pre-lubricated, do have seamless rollers and are marked with production batch code number for complete traceability. All Donghua roller chains are sealed in plastic bags and packed in cardboard boxes with clear ISO 606 DIN descriptions and safety instructions. Standard packaging size is 5 meter box, reels are available on request. Cut to length service is available on request. Several test certificates like breaking load, length tolerance and material analyses are possible and available on request. Rollers chains which are needed for 'run as pairs' applications can be matched as pairs on request. DIN, 1/2DIN and 1/3DIN length tolerance are possible, please ask us for a quotation. For high temperature, low temperature, food application or special environments different kind of special lubricants are available. Please ask our sales team for any special needs. For drive chain calculation and right dimension check, please contact our engineering department, also see drive chain calculation data sheet on page 301. By filling this data sheet and sending this to our engineering department you will receive a detailed drive chain calculation including life time expectation. Sprockets are available for all roller chains, with pilot bore, fixed bore, keyway, setscrew or bearing bore with grooves. Standard toothing, hardened toothing or special toothing are possible with pilot bore, fixed bore or taper bush. Chain tools, tensioners and chain lubricants please see page 302-310.

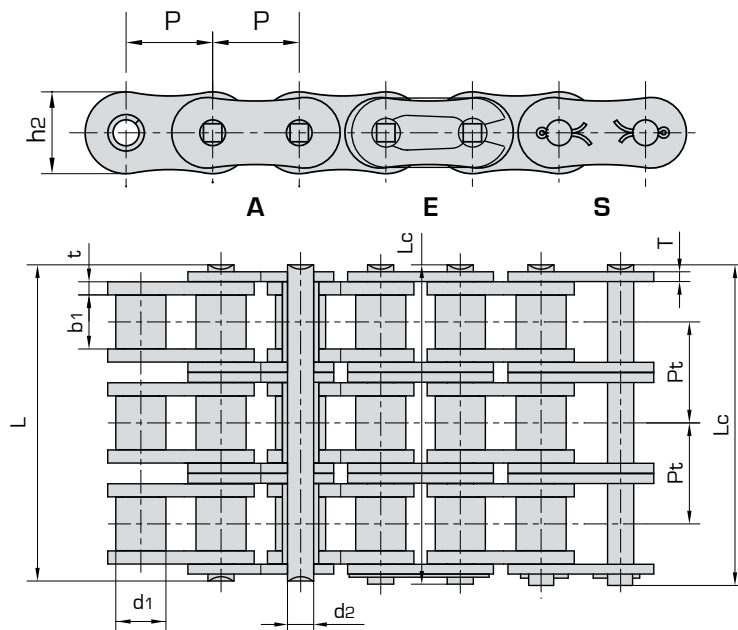
Short pitch heavy duty precision roller chains (A series)

heavy duty HSP series high strength

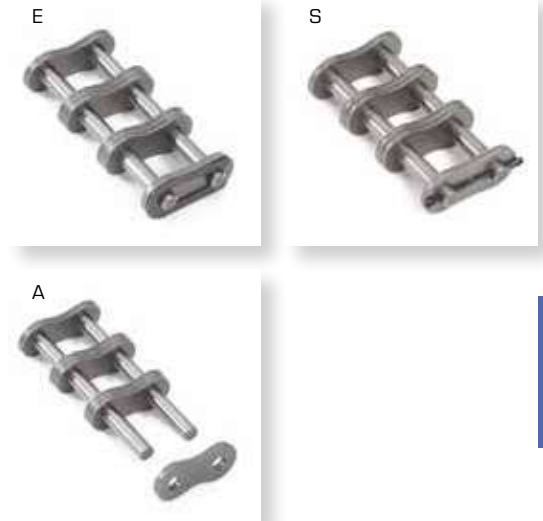
Triplex roller chains & bush

Part nr.	DIN/ISO 606 Chain no.	ANSI Chain no.	Pitch	Roller diameter	Width between inner plates	Pin diameter	Pin length		Inner plate depth	Plate thickness	Transverse pitch
							L max	Lc max			
			P	d1 max	b1 min	d2 max	L max	Lc max	h2 max	T max	
			mm	mm	mm	mm	mm	mm	mm	mm	mm
10080-3HSP	16A-3	80-3	25,400	15,88	15,75	7,94	101,4	104,6	24,10	4,00	32,59
100100-3HSP	20A-3	100-3	31,750	19,05	18,95	9,54	121,8	125,1	30,10	4,80	39,09
100120-3HSP	24A-3	120-3	38,100	22,23	22,22	11,11	151,2	155,2	36,20	5,60	48,87
100140-3HSP	28A-3	140-3	44,450	25,40	25,22	12,71	162,0	166,6	42,20	6,40	52,20
100160-3HSP	32A-3	160-3	50,800	28,58	31,55	14,29	192,0	196,8	48,20	7,20	61,90
100200-3HSP	40A-3	200-3	63,500	39,68	37,85	19,85	243,2	250,1	60,30	9,50	78,31

* All connecting links have standard connecting plates with press fit difficult to mount but increase fatigue resistance by 15%.



Ultimate tensile strength	Average tensile strength	Weight per meter	Available chain parts					
Q min	Q0	q						
kN/lbf	kN	kg/m	E*	S*	L	C	A	
267,6/60200	294,3	9,95	X					X
395,4/88948	435,0	14,53		X				X
534,5/120250	588,0	21,12		X				X
696,5/156448	765,0	25,88		X				X
882,7/198576	971,0	34,22		X				X
1627,3/366073	1790,0	57,29		X				X



Solution range



The Donghua HSP Series. The thickness of the link plates is the same as the H & HV Series roller chains. The special pin material is also through-hardened which provides a higher tensile strength and a higher shock load resistance than SP Series roller chains. The pitch holes are critically formed and ball drilled. HSP Series roller chain can be used to replace the next larger size of ANSI standard roller chain, making them ideal for applications where space is limited. Best suited for low speed operating conditions - up to 50 m/min. All Donghua roller chains are: Pre-loaded, Fatigue resistant, Wear resistant and Pre-lubricated. Donghua simplex, duplex and triplex roller chains are manufactured according to ISO 606 DIN8188, standard pre-loaded, pre-lubricated, do have seamless rollers and are marked with production batch code number for complete traceability. All Donghua roller chains are sealed in plastic bags and packed in cardboard boxes with clear ISO 606 DIN descriptions and safety instructions. Standard packaging size is 5 meter box, reels are available on request. Cut to length service is available on request. Several test certificates like breaking load, length tolerance and material analyses are possible and available on request. Rollers chains which are needed for 'run as pairs' applications can be matched as pairs on request. DIN, 1/2DIN and 1/3DIN length tolerance are possible, please ask us for a quotation. For high temperature, low temperature, food application or special environments different kind of special lubricants are available. Please ask our sales team for any special needs. For drive chain calculation and right dimension check, please contact our engineering department, also see drive chain calculation data sheet on page 301. By filling this data sheet and sending this to our engineering department you will receive a detailed drive chain calculation including life time expectation. Sprockets are available for all roller chains, with pilot bore, fixed bore, keyway, setscrew or bearing bore with grooves. Standard toothing, hardened toothing or special toothing are possible with pilot bore, fixed bore or taper bush. Chain tools, tensioners and chain lubricants please see page 302-310.

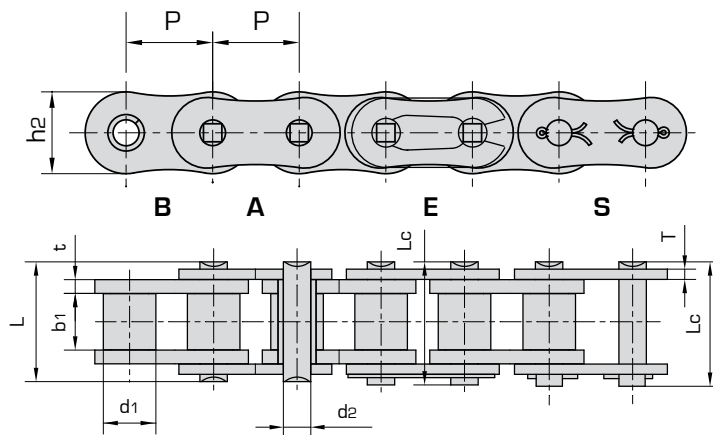
Short pitch heavy duty precision roller chains (A series)

heavy duty HSP series high strength with hard chromized pins

Simplex roller chains & bush chains

Part nr.	DIN/ISO 606 Chain no.	ANSI Chain no.	Pitch	Roller diameter	Width between inner plates	Pin diameter	Pin length		Inner plate depth	Plate thickness
							L max	Lc max		
			P	d1 max	b1 min	d2 max	L max	Lc max	h2 max	T max
			mm	mm	mm	mm	mm	mm	mm	mm
10080-1HSPCP	16A-1	80	25,400	15,88	15,75	7,94	36,20	38,90	24,10	4,00
100100-1HSPCP	20A-1	100	31,750	19,05	18,95	9,54	43,60	46,90	30,10	4,80
100120-1HSPCP	24A-1	120	38,100	22,23	25,22	11,11	53,50	57,50	36,20	5,60
100140-1HSPCP	28A-1	140	44,450	25,40	25,22	12,71	57,60	62,20	42,20	6,40
100160-1HSPCP	32A-1	160	50,800	28,58	31,55	14,29	68,20	73,00	48,20	7,20
100200-1HSPCP	40A-1	200	63,500	39,68	37,85	19,85	86,60	93,50	60,30	9,50

* All connecting links have standard connecting plates with press fit difficult to mount but increase fatigue resistance by 15%.



Ultimate tensile strength	Average tensile strength	Weight per meter	Available chain parts						
Q min	Q0	q	E*	S*	L	C	A	B	
kN/lbf	kN	kg/m							
89,2/20066	98,1	3,36	X				X		
131,8/29649	145,0	4,90		X			X		
176,0/39592	196,0	7,12		X			X		
231,9/52149	255,0	8,88		X			X		
294,5/66260	324,0	11,72		X			X		
543,6/122295	598,0	19,80		X			X		



The Donghua HSP Series. The thickness of the link plates is the same as the H & HV Series roller chains. The special pin material is also through-hardened which provides a higher tensile strength and a higher shock load resistance than SP Series roller chains. The pitch holes are critically formed and ball drifted. HSP Series roller chain can be used to replace the next larger size of ANSI standard roller chain, making them ideal for applications where space is limited. Best suited for low speed operating conditions - up to 50 m/min. Donghua CP roller chains are built with hard chromized pins. The surface hardness is more than 1100 HV10 offering a +30% higher wear resistance than standard case hardened pins. In combination with highly sophisticated lubricant, this technology offers unique performance in wear resistance. All Donghua roller chains are: Pre-loaded, Fatigue resistant, Wear resistant and Pre-lubricated. Donghua simplex, duplex and triplex roller chains are manufactured according to ISO 606 DIN8188, standard pre-loaded, pre-lubricated, do have seamless rollers and are marked with production batch code number for complete traceability. All Donghua roller chains are sealed in plastic bags and packed in cardboard boxes with clear ISO 606 DIN descriptions and safety instructions. Standard packaging size is 5 meter box, reels are available on request. Cut to length service is available on request. Several test certificates like breaking load, length tolerance and material analyses are possible and available on request. Rollers chains which are needed for 'run as pairs' applications can be matched as pairs on request. DIN, 1/2DIN and 1/3DIN length tolerance are possible, please ask us for a quotation. For high temperature, low temperature, food application or special environments different kind of special lubricants are available. Please ask our sales team for any special needs. For drive chain calculation and right dimension check, please contact our engineering department, also see drive chain calculation data sheet on page 301. By filling this data sheet and sending this to our engineering department you will receive a detailed drive chain calculation including life time expectation. Sprockets are available for all roller chains, with pilot bore, fixed bore, keyway, setscrew or bearing bore with grooves. Standard toothing, hardened toothing or special toothing are possible with pilot bore, fixed bore or taper bush. Chain tools, tensioners and chain lubricants please see page 302-310.

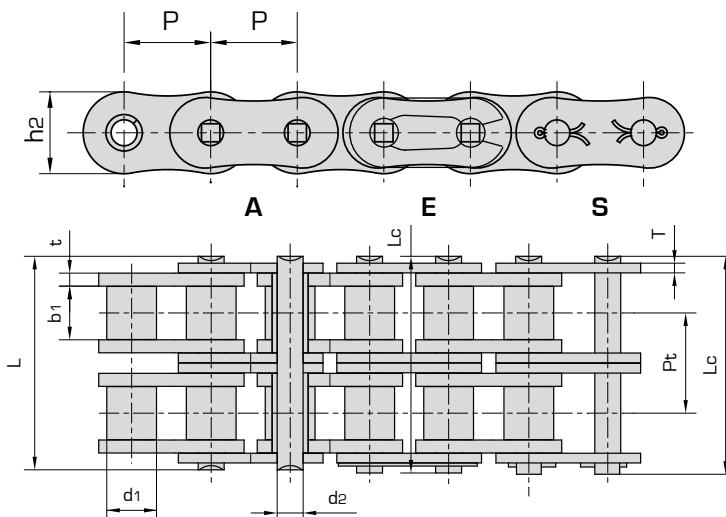
Short pitch heavy duty precision roller chains (A series)

heavy duty HSP series high strength with hard chromized pins

Duplex roller chains & bush chains

Part nr.	DIN/ISO 606 Chain no.	ANSI Chain no.	Pitch	Roller diameter	Width between inner plates	Pin diameter	Pin length		Inner plate depth	Plate thickness	Transverse pitch
							L max	Lc max			
							P	d1 max			
mm	mm	mm	mm	mm	mm	mm	mm	mm	mm		
10080-2HSPCP	16A-2	80-2	25,400	15,88	15,75	7,94	68,8	72,0	24,10	4,00	32,59
100100-2HSPCP	20A-2	100-2	31,750	19,05	18,95	9,54	82,7	86,0	30,10	4,80	39,09
100120-2HSPCP	24A-2	120-2	38,100	22,23	22,22	11,11	102,4	106,4	36,20	5,60	48,87
100140-2HSPCP	28A-2	140-2	44,450	25,40	25,22	12,71	109,8	114,4	42,20	6,40	52,20
100160-2HSPCP	32A-2	160-2	50,800	28,58	31,55	14,29	130,1	134,9	48,20	7,20	61,90
100200-2HSPCP	40A-2	200-2	63,500	39,68	37,85	19,85	164,9	171,8	60,30	9,50	78,31

* All connecting links have standard connecting plates with press fit difficult to mount but increase fatigue resistance by 15%.



Ultimate tensile strength	Average tensile strength	Weight per meter	Available chain parts					
Q_{min}	Q_0	q						
kN/lbf	kN	kg/m	E*	S*	L	C	A	
178,4/40132	196,2	6,65	X					X
263,6/59299	290,0	9,71		X				X
356,4/80175	392,0	14,12		X				X
463,6/104300	510,0	17,38		X				X
588,0/132275	647,0	23,00		X				X
1091,0/245429	1200,0	38,50		X				X



Solution range



The Donghua HSP Series. The thickness of the link plates is the same as the H & HV Series roller chains. The special pin material is also through-hardened which provides a higher tensile strength and a higher shock load resistance than SP Series roller chains. The pitch holes are critically formed and ball drifted. HSP Series roller chain can be used to replace the next larger size of ANSI standard roller chain, making them ideal for applications where space is limited. Best suited for low speed operating conditions - up to 50 m/min. Donghua CP roller chains are built with hard chromized pins. The surface hardness is more than 1100 HV10 offering a +30% higher wear resistance than standard case hardened pins. Donghua CP roller chains are used for tough environments, high speed, high frequency of movement in the bearing area resisting wear much better than case hardened pins. In combination with highly sophisticated lubricant, this technology offers unique performance in wear resistance. All Donghua roller chains are: Pre-loaded, Fatigue resistant, Wear resistant and Pre-lubricated. Donghua simplex, duplex and triplex roller chains are manufactured according to ISO 606 DIN8188, standard pre-loaded, pre-lubricated, do have seamless rollers and are marked with production batch code number for complete traceability. All Donghua roller chains are sealed in plastic bags and packed in cardboard boxes with clear ISO 606 DIN descriptions and safety instructions. Standard packaging size is 5 meter box, reels are available on request. Cut to length service is available on request. Several test certificates like breaking load, length tolerance and material analyses are possible and available on request. Rollers chains which are needed for 'run as pairs' applications can be matched as pairs on request. DIN, 1/2DIN and 1/3DIN length tolerance are possible, please ask us for a quotation. For high temperature, low temperature, food application or special environments different kind of special lubricants are available. Please ask our sales team for any special needs. For drive chain calculation and right dimension check, please contact our engineering department, also see drive chain calculation data sheet on page 301. By filling this data sheet and sending this to our engineering department you will receive a detailed drive chain calculation including life time expectation. Sprockets are available for all roller chains, with pilot bore, fixed bore, keyway, setscrew or bearing bore with grooves. Standard toothing, hardened toothing or special toothing are possible with pilot bore, fixed bore or taper bush. Chain tools, tensioners and chain lubricants please see page 302-310.

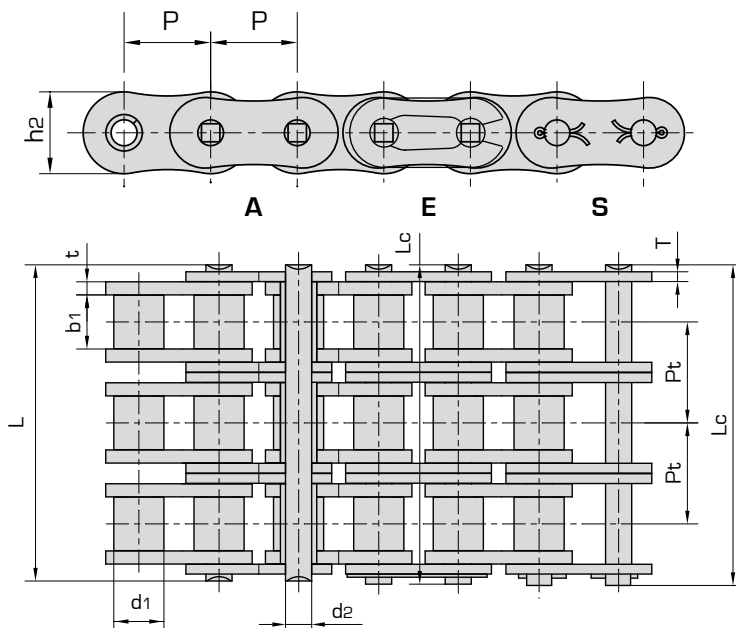
Short pitch heavy duty precision roller chains (A series)

heavy duty HSP series high strength with hard chromized pins

Triplex roller chains & bush chains

Part nr.	DIN/ISO 606 Chain no.	ANSI Chain no.	Pitch	Roller diameter	Width between inner plates	Pin diameter	Pin length		Inner plate depth	Plate thickness	Transverse pitch
							L max	Lc max			
			P	d1 max	b1 min	d2 max	L max	Lc max	h2 max	T max	
			mm	mm	mm	mm	mm	mm	mm	mm	mm
10080-3HSPCP	16A-3	80-3	25,400	15,88	15,75	7,94	101,4	104,6	24,10	4,00	32,59
100100-3HSPCP	20A-3	100-3	31,750	19,05	18,95	9,54	121,8	125,1	30,10	4,80	39,09
100120-3HSPCP	24A-3	120-3	38,100	22,23	22,22	11,11	151,2	155,2	36,20	5,60	48,87
100140-3HSPCP	28A-3	140-3	44,450	25,40	25,22	12,71	162,0	166,6	42,20	6,40	52,20
100160-3HSPCP	32A-3	160-3	50,800	28,58	31,55	14,29	192,0	196,8	48,20	7,20	61,90
100200-3HSPCP	40A-3	200-3	63,500	39,68	37,85	19,85	243,2	250,1	60,30	9,50	78,31

* All connecting links have standard connecting plates with press fit difficult to mount but increase fatigue resistance by 15%.



Ultimate tensile strength	Average tensile strength	Weight per meter	Available chain parts					
Q min	Q0	q						
kN/lbf	kN	kg/m	E*	S*	L	C	A	
267,6/60200	294,3	9,95	X					X
395,4/88948	435,0	14,53		X				X
534,5/120250	588,0	21,12		X				X
696,5/156448	765,0	25,88		X				X
882,7/198576	971,0	34,22		X				X
1627,3/366073	1790,0	57,29		X				X



Solution
range



The Donghua HSP Series. The thickness of the link plates is the same as the H & HV Series roller chains. The special pin material is also through-hardened which provides a higher tensile strength and a higher shock load resistance than SP Series roller chains. The pitch holes are critically formed and ball drifted. HSP Series roller chain can be used to replace the next larger size of ANSI standard roller chain, making them ideal for applications where space is limited. Best suited for low speed operating conditions - up to 50 m/min. Donghua CP roller chains are built with hard chromized pins. The surface hardness is more than 1100 HV10 offering a +30% higher wear resistance than standard case hardened pins. Donghua CP roller chains are used for tough environments, high speed, high frequency of movement in the bearing area resisting wear much better than case hardened pins. In combination with highly sophisticated lubricant, this technology offers unique performance in wear resistance. All Donghua roller chains are: Pre-loaded, Fatigue resistant, Wear resistant and Pre-lubricated. Donghua simplex, duplex and triplex roller chains are manufactured according to ISO 606 DIN8188, standard pre-loaded, pre-lubricated, do have seamless rollers and are marked with production batch code number for complete traceability. All Donghua roller chains are sealed in plastic bags and packed in cardboard boxes with clear ISO 606 DIN descriptions and safety instructions. Standard packaging size is 5 meter box, reels are available on request. Cut to length service is available on request. Several test certificates like breaking load, length tolerance and material analyses are possible and available on request. Rollers chains which are needed for 'run as pairs' applications can be matched as pairs on request. DIN, 1/2DIN and 1/3DIN length tolerance are possible, please ask us for a quotation. For high temperature, low temperature, food application or special environments different kind of special lubricants are available. Please ask our sales team for any special needs. For drive chain calculation and right dimension check, please contact our engineering department, also see drive chain calculation data sheet on page 301. By filling this data sheet and sending this to our engineering department you will receive a detailed drive chain calculation including life time expectation. Sprockets are available for all roller chains, with pilot bore, fixed bore, keyway, setscrew or bearing bore with grooves. Standard toothing, hardened toothing or special toothing are possible with pilot bore, fixed bore or taper bush. Chain tools, tensioners and chain lubricants please see page 302-310.

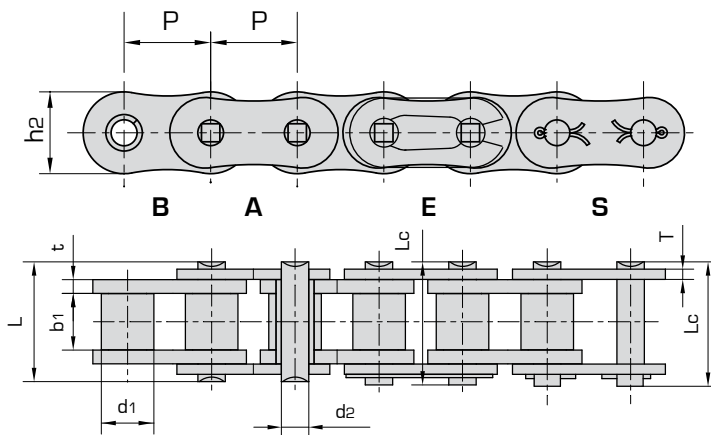
Short pitch heavy duty precision roller chains (A series)

heavy duty UHSP series ultra high strength

Simplex roller chains & bush chains

Part nr.	DIN/ISO 606 Chain no.	ANSI Chain no.	Pitch	Roller diameter	Width between inner plates	Pin diameter	Pin length		Inner plate depth	Plate thickness
							L max	Lc max		
			P	d1 max	b1 min	d2 max	L max	Lc max	h2 max	T max
			mm	mm	mm	mm	mm	mm	mm	mm
10080-1UHSP	16A-1	80	25,400	15,88	15,75	7,94	36,20	38,90	24,10	4,00
100100-1UHSP	20A-1	100	31,750	19,05	19,05	10,32	44,70	47,70	30,10	4,80
100120-1UHSP	24A-1	120	38,100	22,23	25,40	12,28	55,10	59,10	36,20	5,60
100140-1UHSP	28A-1	140	44,450	25,40	25,40	13,97	59,00	63,70	42,20	6,40
100160-1UHSP	32A-1	160	50,800	28,58	31,75	15,62	69,00	74,70	48,20	7,10
100200-1UHSP	40A-1	200	63,500	39,68	38,10	20,41	85,90	93,90	60,30	9,50

*All connecting links have standard connecting plates with press fit! Difficult to mount but increases fatigue resistance by 15%. Please ask our technical staff for the available tooling to mount these connecting links.



Ultimate tensile strength	Average tensile strength	Weight per meter	Available chain parts						
Q min	Q0	q	E*	S*	L	C	A	B	
kN/lbf	kN	kg/m							
89,2/20066	98,1	3,36	X	X			X	X	
149,0/15200	172,0	5,07		X			X	X	
213,0/21700	245,0	7,22		X			X	X	
273,0/27800	314,0	9,24		X			X	X	
341,0/34800	392,0	12,19		X			X	X	
580,0/59100	667,0	20,47		X			X	X	



Solution range

Donghua ANSI Ultra Heavy Super Power roller chains offer the highest breaking loads and highest fatigue resistance by using reinforced thicker plates. Specially selected material offers a higher wear resistance than standard material. This New Donghua Solution Range UHSP - Series offers 150% more Tensile Strength and 170% more Shock Load Resistance than the Standard ANSI Series. Special material alloys, special heat treatments, special design and tolerances results in this unique Tensile Strength and Shock Load Resistance. All Donghua roller chains are: Pre-loaded, Fatigue resistant, Wear resistant and Pre-lubricated. Donghua simplex, duplex and triplex roller chains are manufactured according to ISO 606 DIN8188, standard pre-loaded, pre-lubricated, do have seamless rollers and are marked with production batch code number for complete traceability. All Donghua roller chains are sealed in plastic bags and packed in cardboard boxes with clear ISO 606 DIN descriptions and safety instructions. Standard packaging size is 5 meter box, reels are available on request. Cut to length service is available on request. Several test certificates like breaking load, length tolerance and material analyses are possible and available on request. Rollers chains which are needed for 'run as pairs' applications can be matched as pairs on request. DIN, 1/2DIN and 1/3DIN length tolerance are possible, please ask us for a quotation. For high temperature, low temperature, food application or special environments different kind of special lubricants are available. Please ask our sales team for any special needs. For drive chain calculation and right dimension check, please contact our engineering department, also see drive chain calculation data sheet on page 301. By filling this data sheet and sending this to our engineering department you will receive a detailed drive chain calculation including life time expectation. Sprockets are available for all roller chains, with pilot bore, fixed bore, keyway, setscrew or bearing bore with grooves. Standard toothing, hardened toothing or special toothing are possible with pilot bore, fixed bore or taper bush. Chain tools, tensioners and chain lubricants please see page 302-310.

Works norm and other roller chains

Special and works norm bush and roller chains

Part nr.	Worksnom	Donghua Chain no.	Pitch	Roller diameter	Width between inner plates	Pin diameter	Pin length		Inner plate depth	Plate thickness	Transverse pitch
			P	d1 max	b1 min	d2 max	L max	Lc max	h2 max	T max	
			mm	mm	mm	mm	mm	mm	mm	mm	
11006BF30-2	06BF30-2	06BF30-2	9.525	6.35	5.40	3.28	23.7	23.70	9.60	1.60	10.24
110A06B-2	A06B-2	A06B-2	9.525	6.35	5.72	3.28	23.4	24.40	8.20	1.30	10.24
110205	205	205	12.700	8.51	6.40	4.45	15.2	16.30	11.80	1.6/1.3	
110423	423	423	12.700	8.51	6.40	4.45	15.6	17.10	12.40	1.70	
110478	478	478	12.700	7.80	4.80	4.00	11.6	13.65	10.46	1.25	
11008AKTF1	08AKTF1	08AKTF1	12.700	7.95	7.85	3.96	16.6	17.80	12.00	1.50	
11008BF	08BF	08BF	12.700	8.51	5.55	4.45	14.6	16.10	11.80	1.60	
110170GSX	170GSX	170GSX	12.700	7.75	6.45	3.96	14.8	16.40	11.50	1.6/1.4	
11006BF30	415B/083	415B	12.700	7.75	4.88	4.09	12.9	14.40	10.30	1.30	
110415BF1	415BF1	415BF1	12.700	7.75	4.88	4.09	11.5	13.00	10.30	1.00	
110415BF3	415BF3	415BF3	12.700	7.75	4.80	4.09	11.6	13.65	10.30	1.20	
110415BF5	415BF5	415BF5	12.700	7.75	5.10	4.09	14.4	16.00	9.90	1.8/1.6	
110415BF7	415BF7	415BF7	12.700	7.75	4.88	3.58	13.8	15.00	10.30	1.30	
110415F19	415F19	415F19	12.700	7.77	4.76	3.60	11.0	12.40	9.70	1.00	
110415H	415H	415H	12.700	7.77	4.76	3.96	13.1	14.50	12.00	1.50	
110AF13	10AF13	10AF13	15.875	10.16	16.31	5.08	27.6	29.10	15.09	2.03	
11010AF50	10AF50	10AF50	15.875	14.20	19.40	5.08	30.9	32.60	13.00	2.03	
11010BF19	10BF19	10BF19	15.875	10.16	6.45	5.08	16.4	18.20	14.70	1.70	
11010BF20	10BF20	10BF20	15.875	10.16	6.45	5.08	16.4	18.20	14.70	1.70	
11010BF68	10BF68	10BF68	15.875	10.16	9.65	5.08	18.5	19.90	14.70	1.7/1.5	
110C10BF56-2	#C10BF56-2	#C10BF56-2	15.875	10.16	9.65	5.08	35.8	37.20	13.90	1.70	16.59
110515	515	515	19.050	12.07	13.50	5.72	28.6	31.30	16.20	3.00	
11012AF86-2	12AF86-2	12AF86-2	19.050	11.91	12.57	5.94	47.0	49.60	18.00	2.42	20.90
110BF14	12BF14	12BF14	19.050	12.07	30.56	5.72	42.0	43.6	16.00	1.85	

Straight side plate

*Bush chain: d1 in the table indicates the external diameter of the bush.

Ultimate tensile strength	Average tensile strength	Weight per meter	Available chain parts							
			Q min	Q0	q	E*	S*	L	C	A
kN/lbf	kN	kg/m								
16.50/3748	18.15	1.050	X		X			X	X	
16.90/3841	18.70	0.750	X		X			X	X	
18.00/4049	19.00	0.850	X		X			X	X	
19.60/4455	21.90	0.710	X		X			X	X	
9.80/2227	12.80	0.390	X					X	X	
8.30/1886	9.13	0.625	X					X	X	
17.80/4045	19.20	0.660	X					X	X	
17.15/3860	18.50	0.620	X		X			X	X	
12.00/2727	14.20	0.450	X		X			X	X	
9.00/2045	10.60	0.380	X		X			X	X	
9.80/2227	10.70	0.430	X		X				X	
16.00/3600	16.50	0.460	X		X			X	X	
6.00/1363	10.70	0.400	X		X			X	X	
6.86/1559	7.60	0.320	X		X			X	X	
14.40/3273	16.10	0.550	X		X				X	
21.80/4952	23.90	1.350	X					X	X	
16.40/3726	18.00	2.140	X					X	X	
22.00/5000	24.20	0.890	X		X			X	X	
23.60/5363	25.96	0.860	X					X	X	
22.40/5090	24.64	0.930	X					X	X	
44.50/10113	48.95	1.700	X					X	X	
30.00/6748	33.00	1.830	X		X			X		
62.30/14158	68.53	3.580	X					X		
29.00/6591	32.20	2.13	X					X		



Solution range

Donghua works standard roller chains are designed for special applications and are often developed for specific OEM requirements. All Donghua roller chains are: Pre-loaded, Fatigue resistant, Wear resistant and Pre-lubricated. Donghua simplex, duplex and triplex roller chains are manufactured according to ISO 606 DIN8188, standard pre-loaded, pre-lubricated, do have seamless rollers and are marked with production batch code number for complete traceability. All Donghua roller chains are sealed in plastic bags and packed in cardboard boxes with clear ISO 606 DIN descriptions and safety instructions. Standard packaging size is 5 meter box, reels are available on request. Cut to length service is available on request. Several test certificates like breaking load, length tolerance and material analyses are possible and available on request. Rollers chains which are needed for 'run as pairs' applications can be matched as pairs on request. DIN, 1/2DIN and 1/3DIN length tolerance are possible, please ask us for a quotation. For high temperature, low temperature, food application or special environments different kind of special lubricants are available. Please ask our sales team for any special needs. For drive chain calculation and right dimension check, please contact our engineering department, also see drive chain calculation data sheet on page 301. By filling this data sheet and sending this to our engineering department you will receive a detailed drive chain calculation including life time expectation. Sprockets are available for all roller chains, with pilot bore, fixed bore, keyway, setscrew or bearing bore with grooves. Standard toothing, hardened toothing or special toothing are possible with pilot bore, fixed bore or taper bush. Chain tools, tensioners and chain lubricants please see page 302-310.

Works norm and other roller chains

Special and works norm bush and roller chains

Part nr.	Worksnorm	Donghua Chain no.	Pitch	Roller diameter	Width between inner plates	Pin diameter	Pin length		Inner plate depth	Plate thickness	Transverse pitch
							L max	Lc max			
							P	d1 max			
		mm		mm		mm		mm		mm	
11012BF55-2	12BF55-2	12BF55-2	19.050	12.07	11.68	5.72	43.2	44.8	16.00	2.42	19.46
11012BF58	12BF58	12BF58	19.050	12.70	31.40	5.72	43.5	46.2	16.00	2.03	
11014BF1	14BF1	14BF1	22.225	14.30	14.60	9.00	36.3	38.0	23.50	4.80/4.0	
11016AF52	16AF52	16AF52	25.400	15.88	78.00	7.92	95.6	99.1	24.00	3.25	
110AF62	16AF62	16AF62	25.400	15.88	47.00	7.92	64.3	67.8	24.00	3.25	
110AF93	16AF93	16AF93	25.400	15.88	12.70	7.92	25.0	28.5	20.50	2.03	
110AF94	16AF94	16AF94	25.400	15.88	33.50	7.92	50.5	52.0	24.00	3.25	
11016BF1	16BF1	16BF1	25.400	15.88	12.20	8.28	31.4	32.7	21.00	4.15/3.1	
11016B-BF1	*16B-BF1	*16B-BF1	25.400	11.71	17.02	8.28	36.1	39.1	21.00	3.10	
11016BF2	16BF2	16BF2	25.400	15.88	17.02	8.28	38.6	39.8	21.00	4.15	
11016BF33	16BF33	16BF33	25.400	15.88	12.70	8.28	32.2	35.1	21.00	3.10	
11016BF5	16BF5	16BF5	25.400	15.88	12.70	8.28	30.8	32.1	20.00	3.50/3.0	
11016BF92	16BF92	16BF92	25.400	15.88	17.02	8.28	36.1	39.1	21.00	4.15/3.1	
11020AF22	20AF22	20AF22	31.750	19.05	18.90	9.53	44.7	44.7	30.00	4.00	
11020AF26	20AF26	20AF26	31.750	19.05	30.80	9.53	64.0	64.0	30.00	4.00	
11020AF31-5	20AF31-5	20AF31-5	31.750	19.05	18.90	9.53	183.6	187.9	30.10	4.00	35.76
11020AFT-2	20AFT-2	20AFT-2	31.750	19.05	18.90	9.53	76.4	80.5	30.10	4.00	35.76
11020BF14	20BF14	20BF14	31.750	19.05	19.56	10.19	45.6	49.3	26.40	5.60/4.5	
11020BF19	20BF19	20BF19	31.750	30.00	19.56	10.19	41.3	-	26.40	4.50/3.5	
11024BF7	*24BF7	*24BF7	38.100	18.42	25.40	14.63	53.4	57.8	33.20	6.00/4.8	
110C24BF18	#C24BF18	#C24BF18	38.100	25.40	25.40	14.63	53.4	57.8	33.00	6.00/4.8	
110C24BF19	#C24BF19	#C24BF19	38.100	25.40	25.40	14.63	53.4	57.8	35.80	6.00/4.8	

Straight side plate

*Bush chain: d1 in the table indicates the external diameter of the bush.

Ultimate tensile strength	Average tensile strength	Weight per meter	Available chain parts						
Q min	Q0	q	E*	S*	L	C	A	B	
kN/lbf	kN	kg/m							
57.80/13136	63.58	2.51	X				X	X	
29.00/6591	32.20	2.36	X				X	X	
75.00/16871	82.50	3.59	X				X	X	
56.70/12882	62.00	6.46	X				X	X	
56.70/12882	62.00	4.29	X				X	X	
28.00/63616	30.80	1.74	X				X	X	
55.60/12636	61.16	3.77	X				X	X	
60.00/13636	71.40	2.51	X				X	X	
60.00/13636	66.00	2.33	X				X	X	
60.00/13636	71.40	3.08	X				X	X	
60.00/13636	66.00	2.54	X				X	X	
50.00/11364	57.50	2.37	X		X		X	X	
60.00/13636	66.00	2.76	X				X	X	
50.00/11360	55.00	3.97		X			X	X	
86.70/19704	95.37	5.03		X			X	X	
550.00/124998	605.00	20.20		X			X	X	
211.68/48093	232.00	8.09		X			X	X	
105.00/23856	115.50	4.57		X			X	X	
95.00/21590	104.50	5.86		X			X	X	
170.00/38635	187.00	5.80		X			X	X	
160.00/36363	176.00	7.49		X			X	X	
160.00/36363	176.00	8.05		X			X	X	



Solution range

Donghua works standard roller chains are designed for special applications and are often developed for specific OEM requirements. All Donghua roller chains are: Pre-loaded, Fatigue resistant, Wear resistant and Pre-lubricated. Donghua simplex, duplex and triplex roller chains are manufactured according to ISO 606 DIN8188, standard pre-loaded, pre-lubricated, do have seamless rollers and are marked with production batch code number for complete traceability. All Donghua roller chains are sealed in plastic bags and packed in cardboard boxes with clear ISO 606 DIN descriptions and safety instructions. Standard packaging size is 5 meter box, reels are available on request. Cut to length service is available on request. Several test certificates like breaking load, length tolerance and material analyses are possible and available on request. Rollers chains which are needed for 'run as pairs' applications can be matched as pairs on request. DIN, 1/2DIN and 1/3DIN length tolerance are possible, please ask us for a quotation. For high temperature, low temperature, food application or special environments different kind of special lubricants are available. Please ask our sales team for any special needs. For drive chain calculation and right dimension check, please contact our engineering department, also see drive chain calculation data sheet on page 301. By filling this data sheet and sending this to our engineering department you will receive a detailed drive chain calculation including life time expectation. Sprockets are available for all roller chains, with pilot bore, fixed bore, keyway, setscrew or bearing bore with grooves. Standard toothing, hardened toothing or special toothing are possible with pilot bore, fixed bore or taper bush. Chain tools, tensioners and chain lubricants please see page 302-310.



Calculation Sheet

Questionnaire for Donghua chain drives

Drive (input)			
Electric, hydraulic, pneumatic combustion engine/ motors (2,4, or 6 cylinders)?			-
Power output?			kW
RPM? (after reduction)			min ⁻¹
Max. torque?	With n=	min ⁻¹	Nm
Continuous power or peak power?			-
Speed constant, varying or impulsive?			-
Operating time, cyclic operation?			-
Are shock absorbing transmission-elements present (friction clutch)?			-

Drive (output)			
Type of driven machine?			-
RPM?			min ⁻¹
Power requirement? For starting - normal running - max.			kW
Load even, varying or impulsive?			-
Direction of rotation continuous or alternating (show in diagram)			-

Chain drive			
Centre distance			mm
Does the design allow the centre distance to be adjusted		±	mm
Possibility to use tensioners? (adjustability, idler, chain guide, max. pitch circle diameter)			-
Could the centre distance alter in service? e.g. rear wheel suspension on a motorcycle			-
Required or current ratio respectively?			-
Shafts horizontally or vertically positioned?			-
Can the drive be protected against dirt and dust or can it be enclosed?			-
What type of lubrication is possible? (manual, drip, oil bath or with oil pressure)			-
External factors? (temperature in °C, dust, moisture, fibres, sand, aggressive liquids)			-

Chain			
Chain already selected or existing drive?			-
Is the chain replacing an existing drive?			-
Max. permissible chain width, height, weight?			-

Chain Wheels			
Number of teeth?	Z ₁ =	Z ₂ =	-
Max. permissible outside diameter, incl. chain?			mm
Chain wheel as a disc or with hub, pre bored or with finished bore?			-
Max. permissible chain width, height, weight?			-

Donghua Technical Support Services, E-mail: info@donghua.eu

Donghua Chain Tools

Now available at www.donghua.eu



Categories:

1. Chain Cutters:

- Hand tool chain cutters
- Hand punch cutters
- Hand hydraulic chain cutters

2. Riveting Tools:

- Table block chain breakers
- Wear gauge

3. Mounting tensioners

4. Hand riveting tools

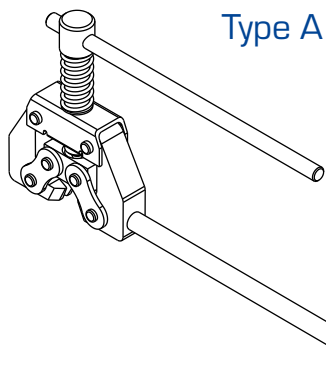
5. Chain lubricants

High precision Donghua chain tools catalogue. Engineered or certified by Donghua International B.V. To ensure proper installation and operation of Donghua chains we recommend using these chain tools.

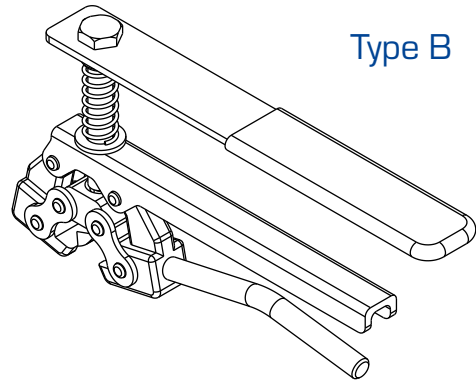
Donghua Chain Cutters

Hand tool chain cutters

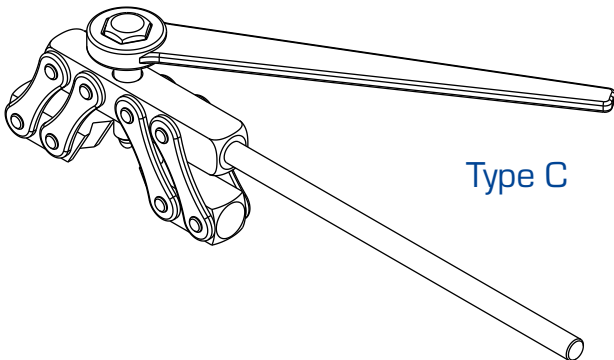
- In all sizes available from 3/8" up to 2" pitch
- Made for both ISO and ANSI norm
- Ideal for chain disassembly
- Comes in 3 different sizes



Type A



Type B

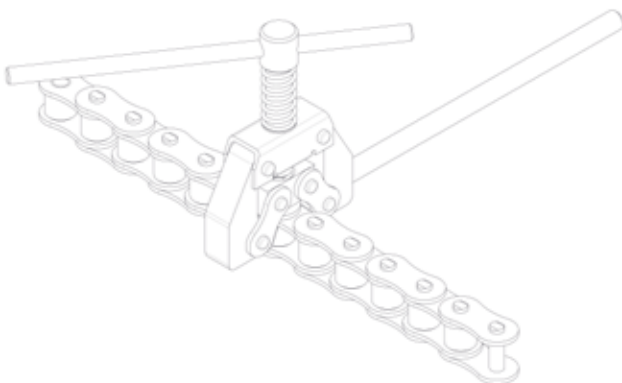


Type C

Chain breaker removes outer link by pressing on the chain pin. Pre-grinding of the pin heads is recommended.

Available pitch sizes:

No.	Article No.	3/8"	1/2"	5/8"	3/4"	1"	1 1/4"	1 1/2"	1 3/4"	2"
1	480TYPE-A	•	•	•						
2	480TYPE-B				•	•	•			
3	480TYPE-C							•	•	•

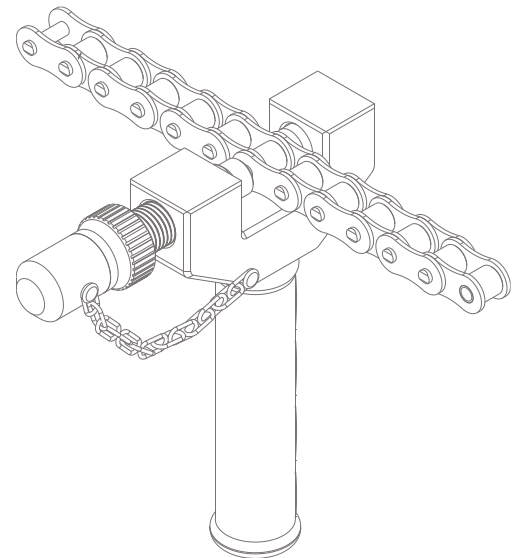


This tool is used to cut chains at specified lengths. After the pins of the chain are forced out, the chain can be disassembled. This tool can easily be used at the work site.

Donghua Chain Cutters

Hand punch chain cutters

- In all available sizes
- Made for both ISO and ANSI norm
- Ideal for chain disassembly
- Comes in 6 different sizes



Available series		
Serie	Pitch	Standard
Simplex		
25S	6,35 mm	ANSI 25
35/40S	3/8", 1/2"	ANSI 40/35, 08B/06B
50S	5/8"	ANSI 50 / 10B
60S	3/4"	ANSI 60 / 12B
80S	1"	ANSI 80 / 16B
100S	1 1/4"	ANSI 100 / 20B

Article	Description	Size
480WCC25-1	Whale chain cutter 25-1	25 simplex
480WCC35-40-1	Whale chain cutter 35-40-1	35-40 simplex
480WCC50-1	Whale chain cutter 50-1	50 simplex
480WCC60-1	Whale chain cutter 60-1	60 simplex
480WCC80-1	Whale chain cutter 80-1	80 simplex
480WCC100-1	Whale chain cutter 100-1	100 simplex
480WCC35-40-2	Whale chain cutter 35-40-2	35-40 duplex
480WCC50-2	Whale chain cutter 50-2	50 duplex
480WCC60-2	Whale chain cutter 60-2	60 duplex
480WCC80-2	Whale chain cutter 80-2	80 duplex

Technical information

This tool is used to break chains at specified lengths. After the pins of the chain are forced out, the chain can be disassembled. This tool can easily be used at the working site.

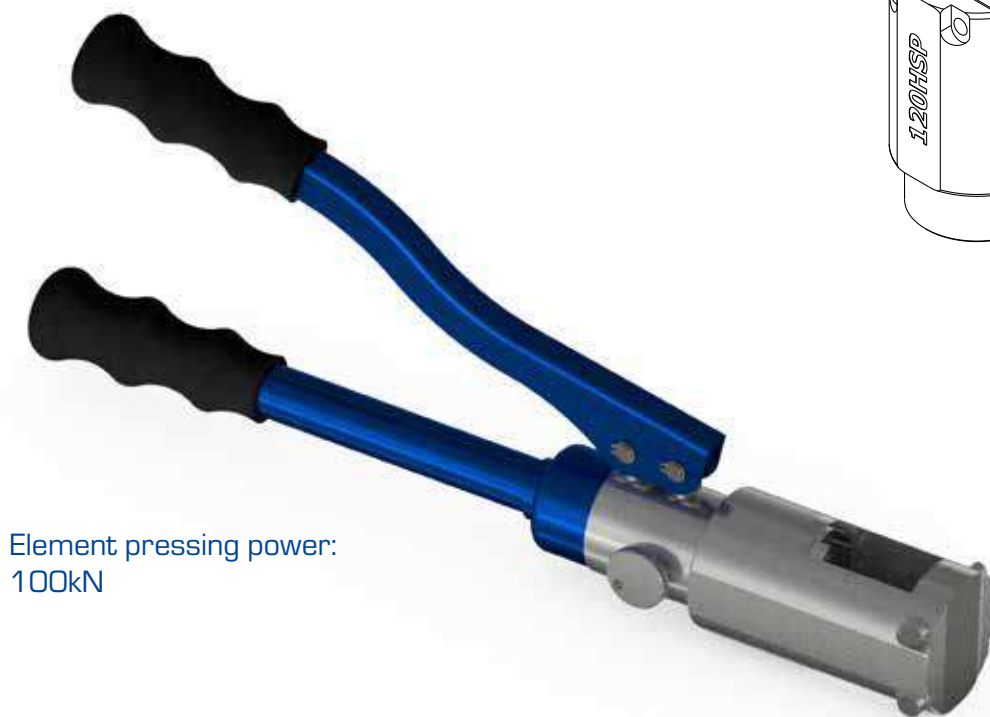
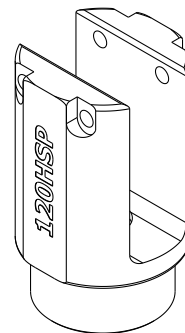
To use this tool a hammer is required. After aligning the chain with the centre pin, a punch from the hammer will break the rivet and disconnect the chain.

Hand hydraulic chain link mounting tool

Technical information

This tool is used to break chains at specified lengths. After the pins of the chain are forced out, the chain can be disassembled. This tool can easily be used at the work site.

Multiple heads available



Element pressing power:
100kN

Article	Description	
480PFT80-1	Chain Press Fit Tool ANSI80-1 HSP	Mounting tool for pressfit con. plate
480PFT100-1	Chain Press Fit Tool ANSI100-1 HSP	Mounting tool for pressfit con. plate
480PFT120-1	Chain Press Fit Tool ANSI120-1 HSP	Mounting tool for pressfit con. plate
480PFT140-1	Chain Press Fit Tool ANSI140-1 HSP	Mounting tool for pressfit con. plate
480PFT160-1	Chain Press Fit Tool ANSI160-1 HSP	Mounting tool for pressfit con. plate

Table block chain breaker

Table block chain breaker

- Engineered by Donghua International B.V.
- Ideal for cutting large quantities of chains
- Can handle from 5B up to 16B chains
- Drill bushings to reduce wear



If multiple chains need to be cut at a specific length, we recommend using the table block chain breaker.

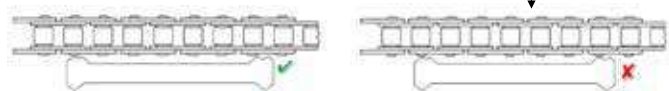
The overall dimensions are 150 x 150 x 25 mm. You can mount the table block chain breaker on a table with the 4x Ø8,5 mm holes.

Article	Description	
480CUTTINGBLOCK	Chain cutting block	Pitch 8 mm till 25,4 mm

Wear gauge



1. From chain type select pitch (P) of chain (example 16B => 1" pitch)
2. Select from required pitch, pos. A, B or 1 3/4" (example 1" pitch = A and 5/8" pitch is B, for 1 3/4" pitch there is a separate position)
3. Position the wear scale with the required pitch position A, B or 1 3/4" to the center of the pin head
4. When the selected pitch, pos. A, B or 1 3/4" appear opposite to the center of the pin head, the chain is worn out (3% wear)



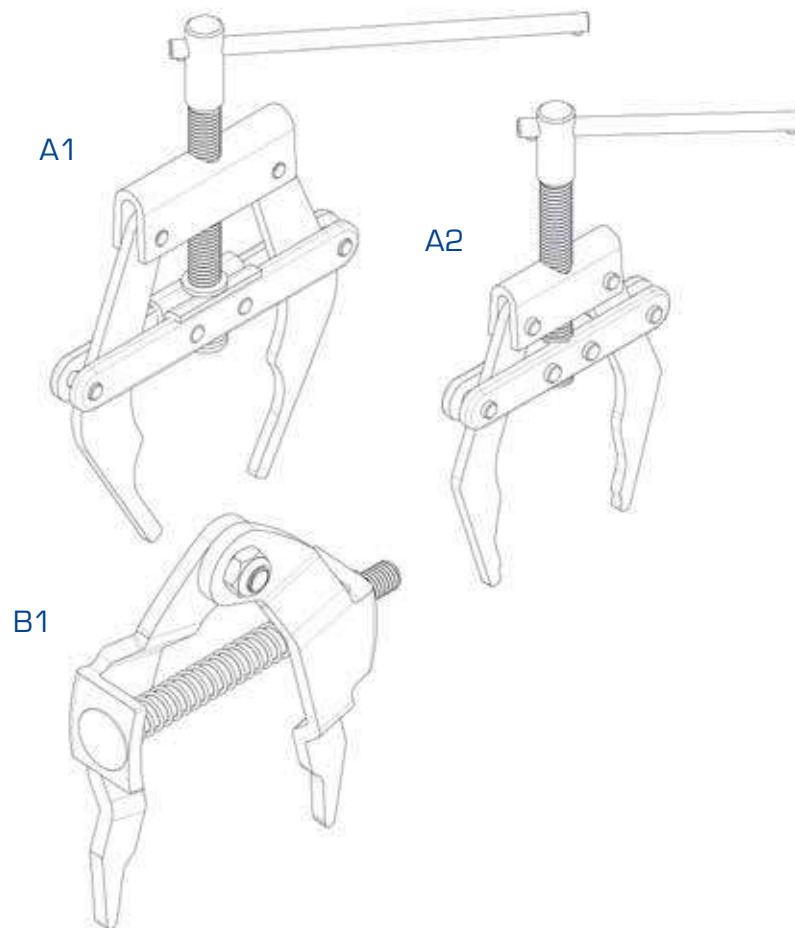
Article	Description
850WEARGAUGE	Wear gauge

Mounting tensioners

Tensioning Chains

These tools are used to tension chains for chain assembling. Due to a mechanical system a threaded axis will create translation by rotation. This translation will bring two ends of a chain together. This will make room for the connection link. The use of a compression spring will give the user more stability.

	A1	A2	B1
Compressing Spring			•
ISO	•	•	•
ANSI	•	•	•



Article	Description	
480M-35	Chain Puller type M-35 (3/8" to 3/4"	25-60 Donghua DIN & ANSI chain
480M-60	Chain Puller type M-60 (3/4" to 1 1/4"	60-100 Donghua DIN & ANSI chain
480M-80	Chain Puller type M-80 (1 1/4" to 2 1/2"	100-200 Donghua DIN & ANSI chain

Riveting Tools

This toolset is used to rivet pens on a chain.

To use this tool a hammer is required. First the chain plates are raised with the raising tool, and then the pens are riveted with a punch from the hammer on the riveting tool.



Available sizes:

ISO	04B	06B	08B	10B	12B	16B	20B
ANSI	-	ASA35	ASA40	ASA50	ASA60	ASA80	ASA100

Chain riveting tools:

Article	Description	
48OR06BL=60	Chain riveting tool 06B L=60 mm	Material W6Mo5Cr4V2
48OR08BL=60	Chain riveting tool 08B L=60 mm	Material W6Mo5Cr4V2
48OR10BL=60	Chain riveting tool 10B L=60 mm	Material W6Mo5Cr4V2
48OR12BL=60	Chain riveting tool 12B L=60 mm	Material W6Mo5Cr4V2
48OR16BL=60	Chain riveting tool 16B L=60 mm	Material W6Mo5Cr4V2
48OR20BL=60	Chain riveting tool 20B L=60 mm	Material W6Mo5Cr4V2
48OR35L=60	Chain riveting tool ANSI 35 L=60 mm	Material W6Mo5Cr4V2
48OR40L=60	Chain riveting tool ANSI 40 L=60 mm	Material W6Mo5Cr4V2
48OR50L=60	Chain riveting tool ANSI 50 L=60 mm	Material W6Mo5Cr4V2
48OR60L=60	Chain riveting tool ANSI 60 L=60 mm	Material W6Mo5Cr4V2
48OR80L=60	Chain riveting tool ANSI 80 L=60 mm	Material W6Mo5Cr4V2
48OR100L=60	Chain riveting tool ANSI 100 L=60 mm	Material W6Mo5Cr4V2

Chain raising tools:

Article	Description	
480F06BL=60	Chain fetching-up tool 06B L=60 mm	Material W6Mo5Cr4V2
480F08BL=60	Chain fetching-up tool 08B L=60 mm	Material W6Mo5Cr4V2
480F10BL=80	Chain fetching-up tool 10B L=80 mm	Material W6Mo5Cr4V2
480F12BL=80	Chain fetching-up tool 12B L=80 mm	Material W6Mo5Cr4V2
480F16BL=80	CChain fetching-up tool 16B L=80 mm	Material W6Mo5Cr4V2
480F20BL=80	Chain fetching-up tool 20B L=80 mm	Material W6Mo5Cr4V2
480F04BL=60	Chain fetching-up tool 04B L=60 mm	
480F05BL=60	Chain fetching-up tool 05B L=60 mm	
480F35L=60	Chain fetching-up tool ANSI 35 L=60 mm	Material W6Mo5Cr4V2
480F40L=60	Chain fetching-up tool ANSI 40 L=60 mm	Material W6Mo5Cr4V2
480F50L=80	Chain fetching-up tool ANSI 50 L=80 mm	Material W6Mo5Cr4V2
480F60L=80	Chain fetching-up tool ANSI 60 L=80 mm	Material W6Mo5Cr4V2
480F80L=80	Chain fetching-up tool ANSI 80 L=80 mm	Material W6Mo5Cr4V2
480F100L=80	Chain fetching-up tool ANSI 100 L=80 mm	Material W6Mo5Cr4V2

Chain raising tools for extended pins:

Article	Description	
480F04BL=60-EXT	Chain fetching-up tool 04B L=60 mm	Material W6Mo5Cr4V2
480F05BL=60-EXT	Chain fetching-up tool 05B L=60 mm	Material W6Mo5Cr4V2
480F06BL=60-EXT	Chain fetching-up tool 06B L=60 mm	Material W6Mo5Cr4V2
480F08BL=60-EXT	Chain fetching-up tool 08B L=60 mm	Material W6Mo5Cr4V2
480F10BL=80-EXT	Chain fetching-up tool 10B L=80 mm	Material W6Mo5Cr4V2
480F12BL=80-EXT	Chain fetching-up tool 12B L=80 mm	Material W6Mo5Cr4V2
480F16BL=60-EXT	Chain fetching-up tool 16B L=80 mm	Material W6Mo5Cr4V2
480F20BL=60-EXT	Chain fetching-up tool 20B L=80 mm	Material W6Mo5Cr4V2
480F35L=60-EXT	Chain fetching-up tool ANSI 35 L=60 mm	Material W6Mo5Cr4V2
480F40L=60-EXT	Chain fetching-up tool ANSI 40 L=60 mm	Material W6Mo5Cr4V2
480F50L=80-EXT	Chain fetching-up tool ANSI 50 L=80 mm	Material W6Mo5Cr4V2
480F60L=80-EXT	Chain fetching-up tool ANSI 60 L=80 mm	Material W6Mo5Cr4V2
480F80L=80-EXT	Chain fetching-up tool ANSI 80 L=80 mm	Material W6Mo5Cr4V2
480F100L=80-EXT	Chain fetching-up tool ANSI 100 L=80 mm	Material W6Mo5Cr4V2

Chain lubricants



eXtreme Chain Lube	High Performance Chain Lube	Food Grade Chain Lube
<p>Extreme protection against corrosion and wear at high pressure. Protects chains and guides against moisture, wear and rust.</p>	<p>High performance chain lube to protect and lubricate chain drives and guides against moisture, wear and rust.</p>	<p>Food grade chain lube is an NSF (class H1) registered lubricant using FDA listed ingredients for use on all types of chains and conveyors. For use in areas where incidental contact with food, beverages or drugs may occur.</p>
<ul style="list-style-type: none"> Extends service life Penetrates and lubricates Reduces power consumption Temperature range -5°C to + 120°C Protects against weathering Water and steam repellent Quietens noisy chains Strong resistance to (salt) water spray-off 	<ul style="list-style-type: none"> Extends service life Penetrates and lubricates Reduces power consumption Temperature range -5°C to + 120°C Protects against weathering Water and steam repellent Quietens noisy chains Good corrosion protection to water spray-off 	<ul style="list-style-type: none"> Good load carrying capabilities Non drip Excellent penetration Temperature range -5°C to + 100°C Resists water wash off Excellent water displacement Protects against corrosion

Article	Description	
901DH-LUBE	Donghua STANDARD chain lube	Spray (550 ml)
901DH-LUBE-EXTRA	Donghua EXTREME chain lube	Spray (550 ml)
901DH-LUBE-FOOD	Donghua FOOD grade chain lube (H-1)	Spray (550 ml)

Contact



Hangzhou Donghua Chain Group Co., Ltd.

1# Changda Road, Xing Wang
Industrial District Lingping, 311102 Hangzhou China
Phone: +86 571 85144575 / 85144947
Fax: +86 571 85042767
hdl@dhchain.com | www.dhchain.com

Donghua International BV

Parelweg 1
1812 RS Alkmaar, The Netherlands
Phone: +31 72 8200 120
Fax: +31 72 540 1996
info@donghua.eu | www.donghua.eu

Donghua USA Inc.

530 Tower Boulevard
Carol Stream, Illinois 60189, USA
Phone: +1 630 682 3058
Fax: +1 630 682 3096
info@dhchain.us | www.dhchain.us

Donghua Industries Europe GmbH

Fixheider Straße 14
51381 Leverkusen, Germany
Phone: +49 2171 39448-0
Fax: +49 2171 39448-60
info@donghua-europe.com | www.donghua-europe.com

Donghua Ltd

Unit 1
Bentley Bridge Business Park
Wednesfield Way, Wednesfield
West Midlands WV11 3SQ
United Kingdom
Phone: +44 1902 866200
Fax: +44 1902 722814
sales@donghua.co.uk | www.donghua.co.uk

Donghua Representation Office CEE

Millenium Office Towers
Office Building H, 7th floor
Lechner Ödön fasor 10
H-1095 Budapest Hungary
Phone +36 30 184 7822
info@donghua-cee.com | www.donghua.eu

Donghua Transmission Co., Ltd.

202 Ratchadapisek Road
Room 1009, 10th FL, Le Concorde Tower
Huay Kwang, Bangkok 10320, Thailand
lijie@dhchain.com | www.dhchain.com



DONGHUA







Drive Chains 2020



Premium
range



Standard
range



Solution
range



donghua.eu

donghua-europe.com | donghua.co.uk